


53001010	DATA SHEET	
Valid from: 03.07.2018	SKINDICHT® O-RING Perbunan® PG	

The SKINDICHT® O-Ring are sealing rings of NBR (Perbunan®) used for reliable sealing against oil, dust and water on the connecting thread of glands or similar components.



Technical features:

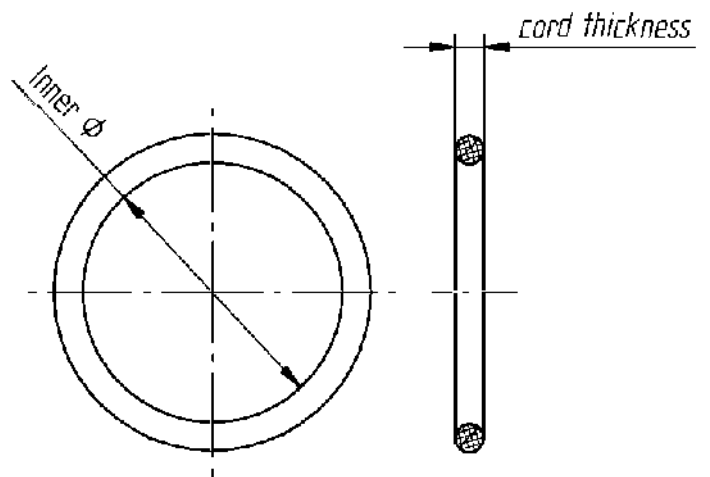
Material	NBR (Perbunan®), halogen-free, UV-resistant, Ozone-resistant
Color	Black
Sizes	PG7 up to PG48
Temperature range	-20 °C up to +100 °C

Norm references:



Perbunan® is a registered trademark of BAYER AG.

Article designation	Inner Ø x cord thickness [mm]	Article No.
O 7	10 x 1,5	53001010
O 9	13 x 1,5	53102011
O 11	16 x 1,5	53001020
O 13,5	18 x 1,5	52005740
O 16	20 x 1,5	53001030
O 21	26 x 2	52005750
O 29	34 x 2	53001040
O 36	44 x 2	52005760
O 42	50 x 2	53001050
O 48	55 x 2	52005770



For more information please see our current catalogue. Please do not hesitate to contact our laboratory if there are any questions regarding resistance against aggressive agents and special oil.

Creator: T. Dvoulety /PDP Released: DAMU1/PDP	Document: DB53001010EN Version: 04	Page 1 of 1
--	---------------------------------------	-------------