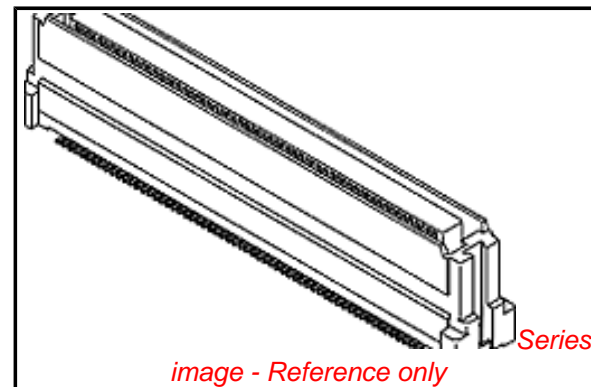


**PLEASE CHECK WWW.MOLEX.COM FOR LATEST PART INFORMATION**

**Part Number:** [52901-0774](#)  
**Status:** **Active**  
**Overview:** SlimStack™ 0.635mm Pitch  
**Description:** 0.635mm Pitch SlimStack™ Receptacle, Surface Mount, Dual Row, Vertical Stacking, 11.00 to 16.00mm Stacking Heights, Embossed Tape with Cover Packaging, 70 Circuits, Lead-Free

**Documents:**

[3D Model](#)  
[Drawing \(PDF\)](#)  
[Product Specification PS-52760-015 \(PDF\)](#)  
[Packaging Specification SPK-52901-001 \(PDF\)](#)  
[RoHS Certificate of Compliance \(PDF\)](#)



**Agency Certification**

UL E29179

**General**

Product Family PCB Receptacles  
 Series [52901](#)  
 Application Board-to-Board, Signal  
 Overview [SlimStack™ 0.635mm Pitch](#)  
 Product Name SlimStack™  
 UPC 822348176564

**Physical**

Circuits (Loaded) 70  
 Circuits (maximum) 70  
 Color - Resin White  
 Durability (mating cycles max) 50  
 Flammability 94V-0  
 Glow-Wire Compliant No  
 Lock to Mating Part Yes  
 Mated Height 11.00mm, 12.00mm, 13.00mm, 14.00mm, 16.00mm  
 Material - Metal Phosphor Bronze  
 Material - Plating Mating Gold  
 Material - Plating Termination Tin  
 Net Weight 1690.801/mg  
 Number of Rows 2  
 Orientation Vertical  
 PCB Locator Yes  
 PCB Retention Yes  
 PCB Thickness - Recommended 1.60mm  
 Packaging Type Embossed Tape on Reel  
 Pitch - Mating Interface 0.64mm  
 Polarized to PCB Yes  
 Robotic Placement Pick and Place Cap  
 Temperature Range - Operating -55°C to +85°C  
 Termination Interface: Style Surface Mount

**Electrical**

Current - Maximum per Contact 0.5A  
 Voltage - Maximum 100V

**Material Info**

**Reference - Drawing Numbers**

Packaging Specification SPK-52901-001

**EU RoHS**

**ELV and RoHS Compliant**

**REACH SVHC**

Not Reviewed

**Low-Halogen Status**

**Low-Halogen**

**China RoHS**



**Need more information on product environmental compliance?**

Email [productcompliance@molex.com](mailto:productcompliance@molex.com)  
 For a multiple part number RoHS Certificate of Compliance, [click here](#)

Please visit the [Contact Us](#) section for any non-product compliance questions.

**Search Parts in this Series**

[52901Series](#)

**Mates With**

[53475](#) , [53643](#) , [55091](#) , [53481](#) , [53625](#) ,  
[53551](#) , [53647](#) , [53552](#) , [53649](#) , [53553](#) ,  
[53627](#)

Product Specification

Sales Drawing

PS-52760-015, RPS-52760-017, RPS-52760-018,  
RPS-52760-020, RPS-52760-021, RPS-52760-028,  
RPS-52760-029, RPS-52901-012  
SD-52901-008, SD-52901-009, SD-52901-015,  
SD-52901-017

This document was generated on 06/05/2013

**PLEASE CHECK [WWW.MOLEX.COM](http://WWW.MOLEX.COM) FOR LATEST PART INFORMATION**