

注記 NOTES

1. 使用材料 MATERIAL
- ハウジング : 46ナイロン, UL94V-0
HOUSING : 46NYLON
- アクチュエータ : PPS, UL94V-0
ACTUATOR
- ターミナル : リン青銅, 金メッキ (t=0.2)
TERMINAL : PHOS-BRO, GOLD PLATED
- 金具 : リン青銅, 錫メッキ (t=0.2)
FITTING NAIL : PHOS-BRO, Sn PLATED
- △ パターンはくり止め用金具
FITTING NAIL FOR PREVENTION OF PEELING OF P.C.B. PATTERN.
- △ ソルダテール半田付け面のズレ量、及び金具半田付け面のズレ量は、基準面 Y に対し上方向 0.05 MAX.、下方向 0.2 MAX. とし、相互のバラツキ量は 0.15 MAX. とする。
MISALIGNMENT OF SOLDER TAILS AND FITTING NAILS FROM Y UPPER DIRECTION: 0.05 MAX., LOWER DIRECTION: 0.2 MAX. OFFSET BETWEEN UPPER AND LOWER: 0.15 MAX.
- △ 偶数極に適用。
APPLY FOR EVEN CIRCUIT.
- △ 18種以上は2ヶ所、10~16種はハウジングセンター上に1ヶ所とする。
18 CKTS & MORE THAN 18 CKTS PLACED 2 POINT. 10~16 CKTS PLACED 1 POINT ON HOUSING CENTER.
6. 本製品は 52893シリーズの金メッキ品である。
THIS PRODUCT IS Au PLATING OF 52893 SERIES.

15.3	15.5	14.5	19.6	52893-3058	30
13.3	13.5	12.5	17.6	-2658	26
12.3	12.5	11.5	16.6	-2458	24
11.3	11.5	10.5	15.6	-2258	22
10.3	10.5	9.5	14.6	-2058	20
9.3	9.5	8.5	13.6	-1858	18
8.8	9.0	8.0	13.1	-1758	17
8.3	8.5	7.5	12.6	-1658	16
7.8	8.0	7.0	12.1	-1558	15
6.3	6.5	5.5	10.6	-1258	12
5.3	5.5	4.5	9.6	-1058	10
4.3	4.5	3.5	8.6	52893-0858	8
D	C	(B)	A	MATERIAL NO.	極数 CIRCUIT

MODEL No. 52893-xx58

REVISED EC NO: J2006-1389 DRWN: NABE1 2005/10/31 CHKDK: TOYODA 2005/11/01 APPR: NUKITA 2005/11/04	GENERAL TOLERANCES (UNLESS SPECIFIED)		DIMENSION STYLE MM ONLY		SCALE ---	DESIGN UNITS METRIC	THIRD ANGLE PROJECTION
	10 UNDER	±0.2	DRAWN BY M. NABE1	DATE '05/06/07	TITLE 0.5 FPC CONN ZIF EO HSG ASSY BTM CONT -LEAD FREE-		
	10 OVER 30 UNDER	±0.25	CHECKED BY K. TOYODA	DATE '05/06/07	MOLEX MOLEX INCORPORATED		
	30 OVER	±0.3	APPROVED BY N. UKITA	DATE '05/06/07	MATERIAL NO. SEE CHART	DOCUMENT NO. SD-52893-044	SHEET NO. 1 OF 2
	ANGULAR	±3 °	SIZE A3		THIS DRAWING CONTAINS INFORMATION THAT IS PROPRIETARY TO MOLEX INCORPORATED AND SHOULD NOT BE USED WITHOUT WRITTEN PERMISSION		
	DRAFT WHERE APPLICABLE MUST REMAIN WITHIN DIMENSIONS						

10 9 8 7 6 5 4 3 2 1

F

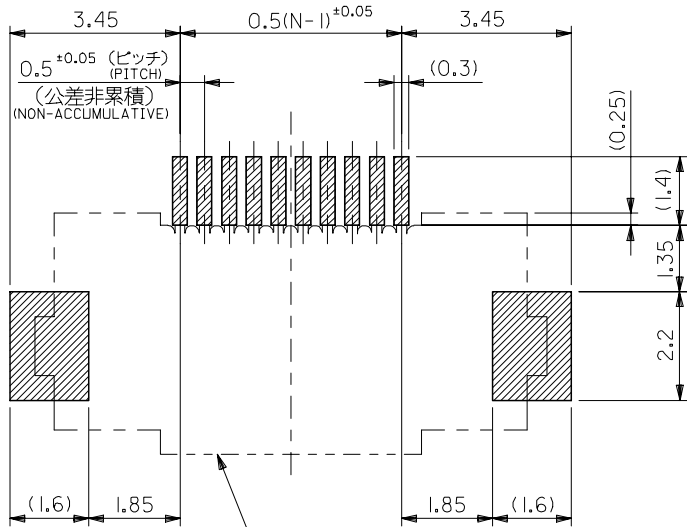
E

D

C

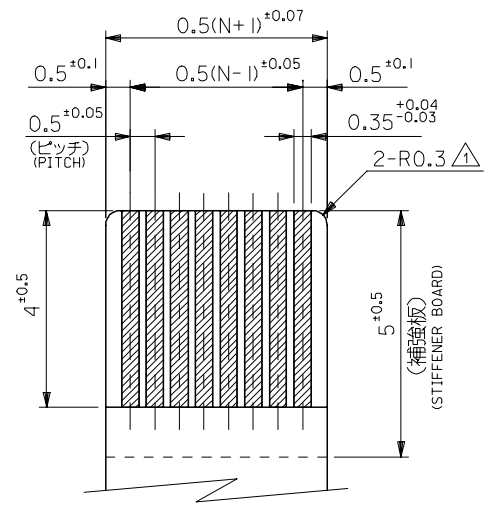
B

A

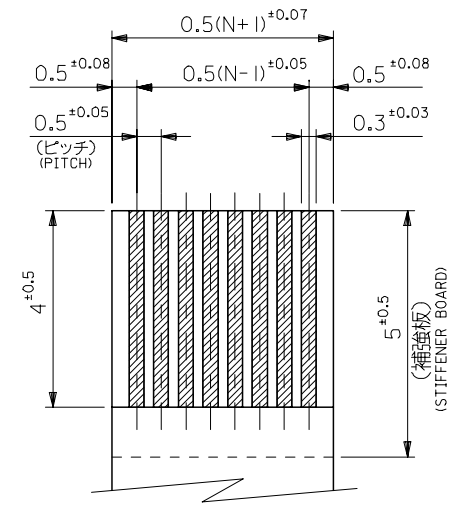


コネクタ位置
CONNECTOR POSITION

参考基板レイアウト
P.C. BOARD PATTERN
DIMENSION (REF.)
(マウント面)
(MOUNTING SIDE)



適合FPC推奨寸法
APPLICABLE FPC
RECOMMENDED DIMENSION
(仕上がり厚さ: 0.3±0.03)
(THICKNESS: 0.3±0.03)



適合FPC推奨寸法
APPLICABLE FPC
RECOMMENDED DIMENSION
(仕上がり厚さ: 0.3±0.03)
(THICKNESS: 0.3±0.03)

FPCについて:

打抜き方向は、導体側から補強板側を推奨いたします。
補強フィルム材質は、ポリイミドを推奨いたします。
接着剤は、熱硬化接着剤を推奨いたします。

ABOUT FPC:

RECOMMENDED PUNCHER DIRECTION: FROM CONDUCTOR SIDE TO STIFFENER BOARD SIDE.

RECOMMENDED MATERIAL:

STIFFENER FILM: POLYIMIDE
BONDING AGENT: THERMOSETTING BONDING AGENT

注記 NOTES

△ R.O. 3は、FPCの導体部にかからないこと。
R.O.3 MUST NOT BE OVERLAPPED TO PATTERN OF FPC.

REVISED	DESCRIPTION
EC NO: J2006-1389	2005/10/31
DRWN: NABEI	2005/11/01
CHKD: KTOYODA	2005/11/01
APPR: NUKITA	2005/11/04

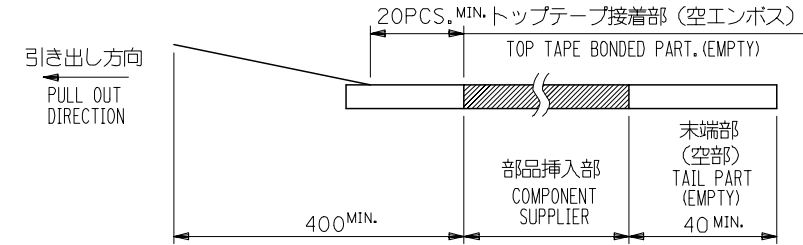
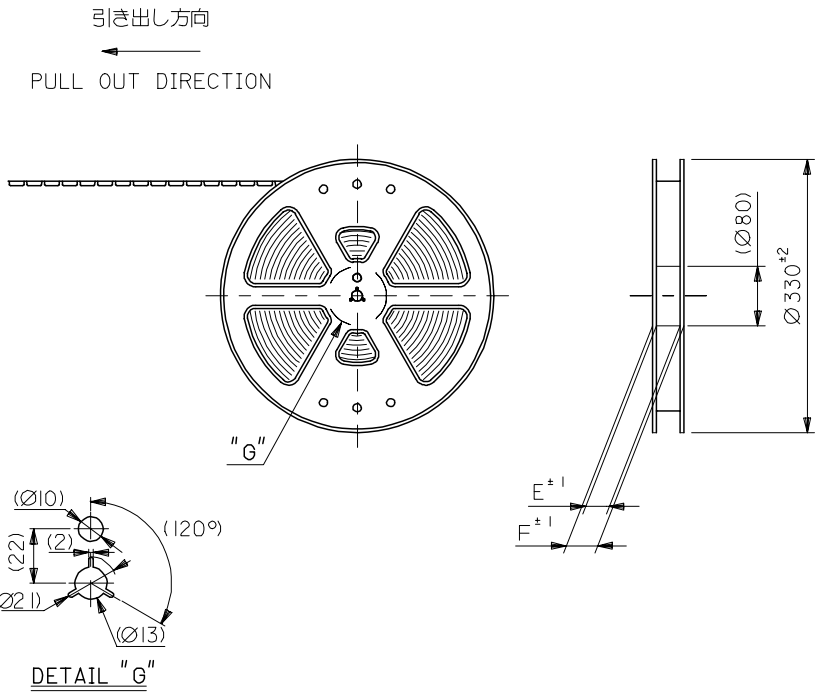
GENERAL TOLERANCES (UNLESS SPECIFIED)	
10 UNDER	±0.2
10 OVER 30 UNDER	±0.25
30 OVER	±0.3
ANGULAR	±3 °
DRAFT WHERE APPLICABLE MUST REMAIN WITHIN DIMENSIONS	

DIMENSION STYLE MM ONLY	
DRAWN BY	DATE
M. NABEI	'05/06/07
CHECKED BY	DATE
K. TOYODA	'05/06/07
APPROVED BY	DATE
N. UKITA	'05/06/07
MATERIAL NO.	
SEE CHART	
SIZE	A3

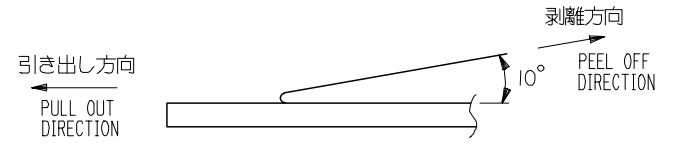
SCALE	---
DESIGN UNITS	METRIC
MODEL NO.	52893-xx58
THIRD ANGLE PROJECTION	
TITLE	
0.5 FPC CONN ZIF EO HSG ASSY BTM CONT -LEAD FREE-	
MOLEX INCORPORATED	
DOCUMENT NO.	SD-52893-044
SHEET NO.	2 OF 2
THIS DRAWING CONTAINS INFORMATION THAT IS PROPRIETARY TO MOLEX INCORPORATED AND SHOULD NOT BE USED WITHOUT WRITTEN PERMISSION	

注記 NOTES

- 製品詳細寸法については図面 SD-52893-044 を参照下さい。
RE DETAILED DIMENSION, SEE SD-52893-044
- 梱包数量：1000個/リール
NUMBER OF CONNECTORS : 1000PCS/REEL
- リードテープ長さ LEAD TAPE LENGTH



- トップテープの剥離強度：0.1 ~ 1.3N (10 ~ 130gf)
(剥離方向は下図参照)
尚、本規格値は出荷時に適用。(但し、輸送時に剥離が発生しないこと。)
PEELING OFF FORCE OF TOP TAPE : 0.1 ~ 1.3N (10 ~ 130gf)
(PEELING DIRECTION AS SHOWN IN FOLLOWING FIG.)
THIS REQUIREMENT SHOULD BE APPLIED AT SHIPMENT.
PEEL OFF SHOULD NOT BE ALLOWED , DURING TRANSPORTATION.



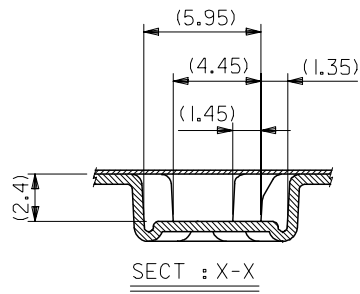
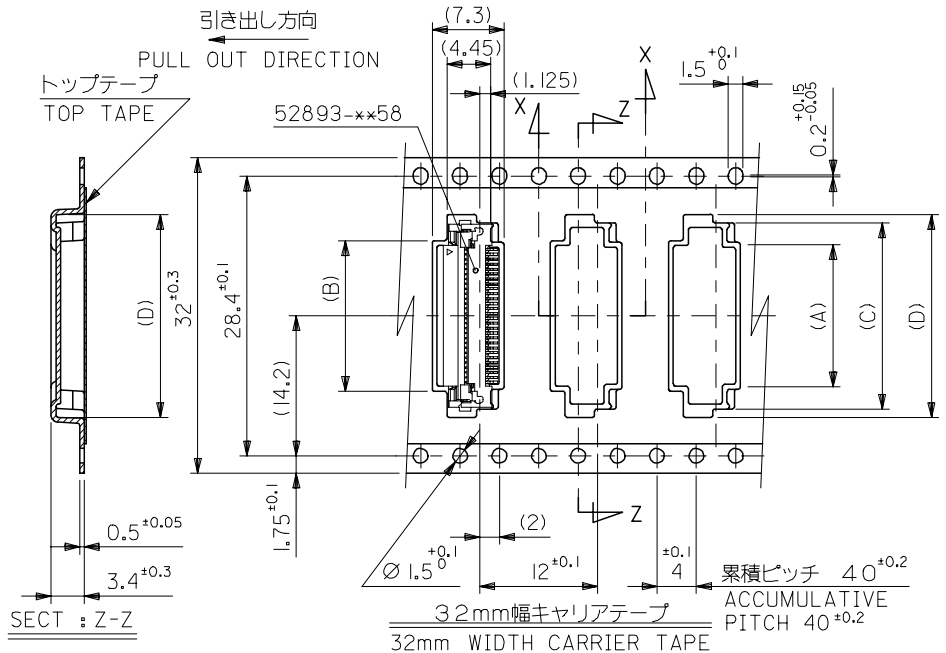
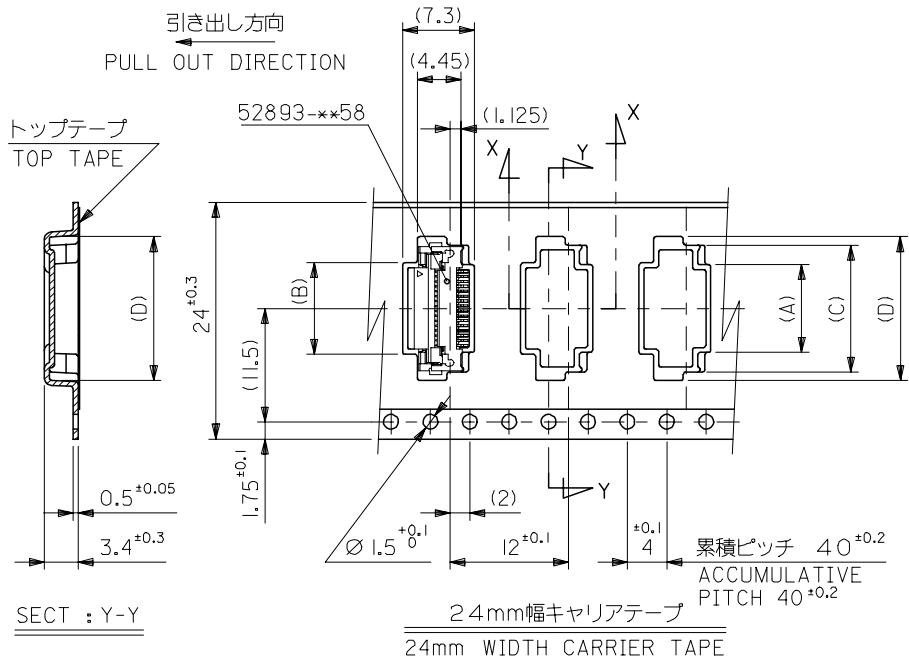
- 材料(MATERIAL)
キャリアテープ(CARRIER TAPE)：ポリプロピレン(POLYPROPYLENE)
トップテープ(TOP TAPE)：PET , PE , PEF
リール(REEL)：ポリスチレン (PS) <リサイクル材を含む>
POLYSTYRENE (PS) <RECYCLE MATERIAL CONTAINED>

- 本製品は 52893シリーズの金メッキ品である。
THIS PRODUCT IS Au PLATING OF 52893 SERIES.

52893-xx96	MODEL NO.
DESIGN UNITS METRIC	THIRD ANGLE PROJECTION

REVISED EC NO: J2006-1389 DRWN:MABE1 2005/10/31 CHKD:KTOYODA 2005/11/01 APPR:NUKITA 2005/11/04	GENERAL TOLERANCES (UNLESS SPECIFIED)	DIMENSION STYLE MM ONLY	SCALE ---	TITLE
	10 UNDER ± ---	DRAWN BY M. NABE1	DATE '05/06/07	EMBSTP PKG FOR 0.5 FPC CONN ZIF EO -LEAD FREE-
	10 OVER 30 UNDER ± ---	CHECKED BY K. TOYODA	DATE '05/06/07	
	30 OVER ± ---	APPROVED BY N. UKITA	DATE '05/06/07	
	ANGULAR ± --- °	MATERIAL NO.	DOCUMENT NO.	SHEET NO.
DRAFT WHERE APPLICABLE MUST REMAIN WITHIN DIMENSIONS	SIZE A3	SEE CHART	SD-52893-045	1 OF 2

MOLEX INCORPORATED	
THIS DRAWING CONTAINS INFORMATION THAT IS PROPRIETARY TO MOLEX INCORPORATED AND SHOULD NOT BE USED WITHOUT WRITTEN PERMISSION	



32	37.4	33.4	21.6	19.9	16.1	15.9	52893-3096	30
			19.6	17.9	14.1	13.9	-2696	26
24	29.4	25.4	18.6	16.9	13.1	12.9	-2496	24
			17.6	15.9	12.1	11.9	-2296	22
			16.6	14.9	11.1	10.9	-2096	20
			15.6	13.9	10.1	9.9	-1896	18
			15.1	13.4	9.6	9.4	-1796	17
			14.6	12.9	9.1	8.9	-1696	16
			14.1	12.4	8.6	8.4	-1596	15
			12.6	10.9	7.1	6.9	-1296	12
			11.6	9.9	6.1	5.9	-1096	10
			10.6	8.9	5.1	4.9	52893-0896	8
キャリアテープ幅 CARRIER TAPE WIDTH	F	E	(D)	(C)	(B)	(A)	MATERIAL NO.	極数 CIRCUT

REVISED EC NO: J2006-1389 DRWN: NABE1 2005/10/31 CHKD: KTOYODA 2005/11/01 APPR: NUKITA 2005/11/04	GENERAL TOLERANCES (UNLESS SPECIFIED)		DIMENSION STYLE MM ONLY		SCALE ---	DESIGN UNITS METRIC	THIRD ANGLE PROJECTION
	10 UNDER	± ---	DRAWN BY M. NABE1	DATE '05/06/07	TITLE EMBSTP PKG FOR 0.5 FPC CONN ZIF EO -LEAD FREE-		
	10 OVER 30 UNDER	± ---	CHECKED BY K. TOYODA	DATE '05/06/07	MOLEX INCORPORATED		
	30 OVER	± ---	APPROVED BY N. UKITA	DATE '05/06/07	MATERIAL NO. SEE CHART	DOCUMENT NO. SD-52893-045	SHEET NO. 2 OF 2
	ANGULAR	± --- °	DRAFT WHERE APPLICABLE MUST REMAIN WITHIN DIMENSIONS		THIS DRAWING CONTAINS INFORMATION THAT IS PROPRIETARY TO MOLEX INCORPORATED AND SHOULD NOT BE USED WITHOUT WRITTEN PERMISSION		