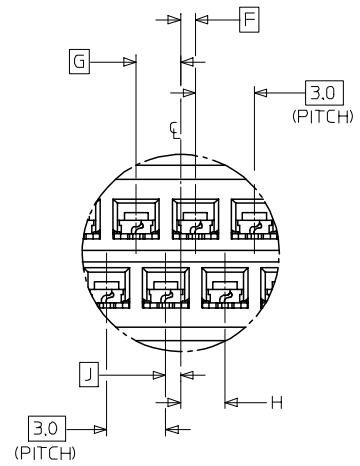
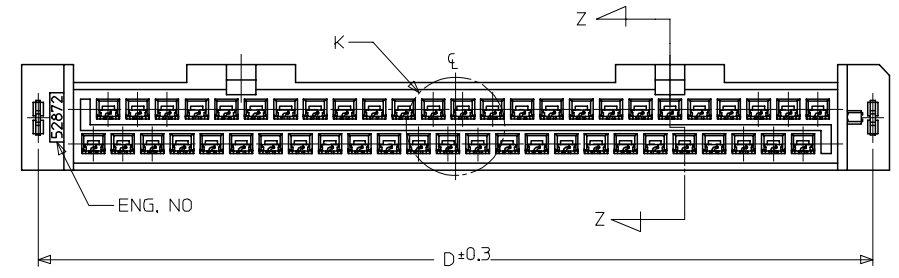
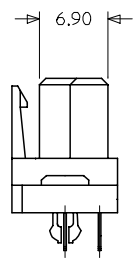
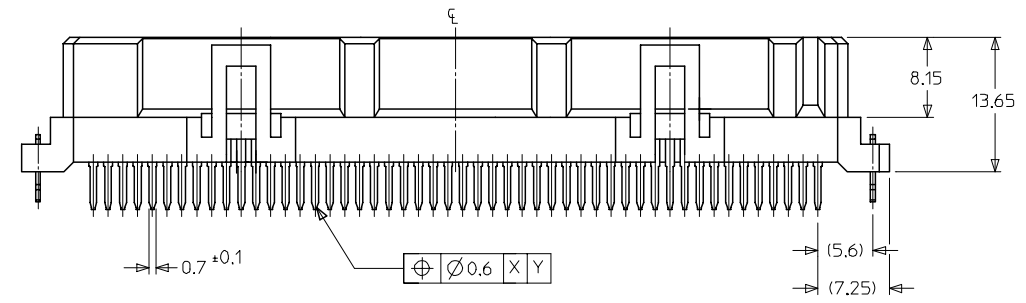
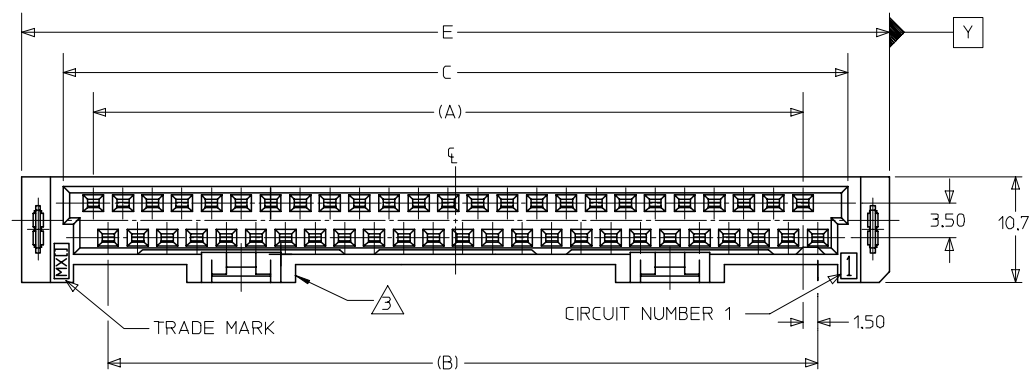


J	H	G	F	E	D	C	(B)	(A)	ENG. NO.	CKT.
2.25	0.75	0.75	2.25	43.0	39.7	34.6	27	27	52872-2014	20
1.50	1.50	0	0	50.5	47.2	42.1	36	33	-2514	25
0.75	2.25	2.25	0.75	58.0	54.7	49.6	42	42	-3014	30
0	0	1.50	1.50	65.5	62.2	57.1	51	48	-3514	35
2.25	0.75	0.75	2.25	73.0	69.7	64.6	57	57	-4014	40
1.50	1.50	0	0	80.5	77.2	72.1	66	63	-4514	45
0.75	2.25	2.25	0.75	88.0	84.7	79.6	72	72	-5014	50
0	0	1.50	1.50	95.5	92.2	87.1	81	78	-5514	55
2.25	0.75	0.75	2.25	103.0	99.7	94.6	87	87	-6014	60
1.50	1.50	0	0	110.5	107.2	102.1	96	93	-6514	65
0.75	2.25	2.25	0.75	118.0	114.7	109.6	102	102	52872-7014	70



DETAIL K

EC NO: S2005-0150 DRWN:ATSEE 2004/08/23 CHKD:KCLING 2004/08/23 APPR:SKTOH 2004/08/24	QUALITY SYMBOLS ▽=0 ▽=0	GENERAL TOLERANCES (UNLESS SPECIFIED)		DIMENSION STYLE MM ONLY		SCALE NTS	DESIGN UNITS METRIC	THIRD ANGLE PROJECTION			
		4 PLACES ± --- ± ---	3 PLACES ± --- ± ---	DRAWN BY GRX IE	DATE 2001/05/09	TITLE SALES DRAWING 3.0 BOARD TO BOARD CONN. HOUSING ASSEMBLY					
		2 PLACES ± 0.2 ± ---	1 PLACE ± 0.25 ± ---	CHECKED BY DSOH	DATE 2001/06/25						
		ANGULAR ± 3 °		APPROVED BY SKTOH	DATE 2001/06/29	MOLEX INCORPORATED		DOCUMENT NO. SD-52872-008	SHEET NO. 1 OF 3		
A2	REV	DRAFT WHERE APPLICABLE MUST REMAIN WITHIN DIMENSIONS		SEE TABLE		THIS DRAWING CONTAINS INFORMATION THAT IS PROPRIETARY TO MOLEX INCORPORATED AND SHOULD NOT BE USED WITHOUT WRITTEN PERMISSION					

10 9 8 7 6 5 4 3 2 1

F F

E E

D D

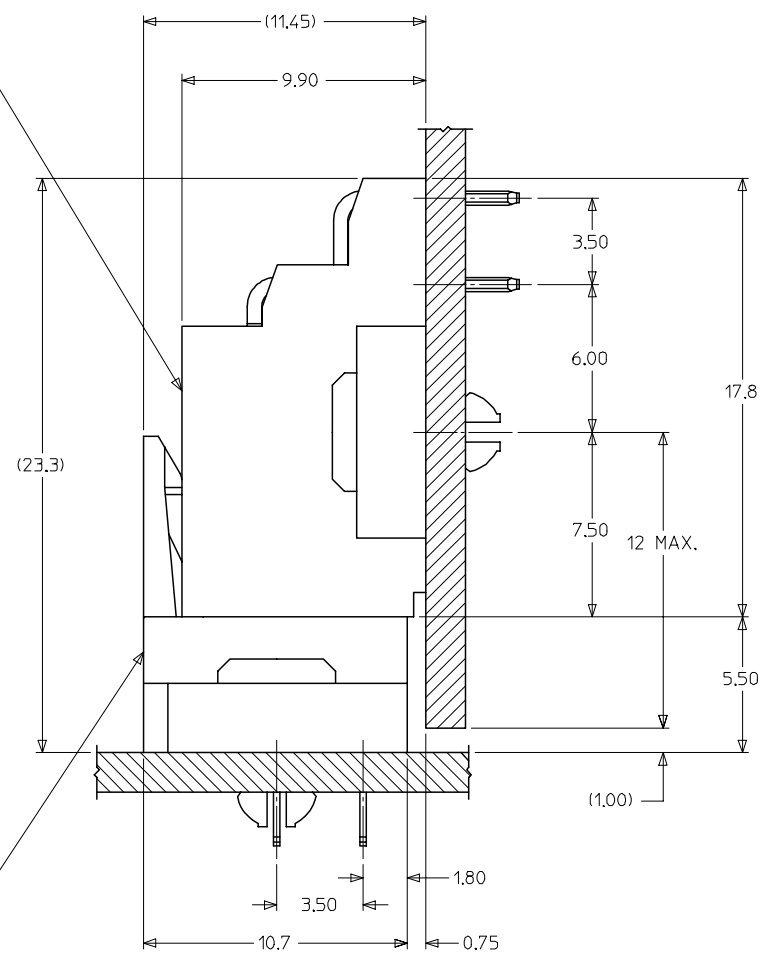
C C

B B

A A

53615-**-14 (POSITIVE LOCK TYPE)
53658-**-18 (FRICTION LOCK TYPE)
HEADER ASS'Y

52872-**-14
HOUSING ASS'Y



MATED DRAWING (REF.)

EC NO: S2005-0150 DRAWN: ATSEE 2004/08/23 CHKD: KCLING 2004/08/23 APPR: SKTOH 2004/08/24	QUALITY SYMBOLS ▽=0 ▽C=0	GENERAL TOLERANCES (UNLESS SPECIFIED)		DIMENSION STYLE MM ONLY	SCALE NTS	DESIGN UNITS METRIC	THIRD ANGLE PROJECTION	
		4 PLACES ± --- ± --- 3 PLACES ± --- ± --- 2 PLACES ± 0.2 ± --- 1 PLACE ± 0.25 ± --- ANGULAR ± 3 °	DRAWN BY GRX IE DATE 2001/05/09	TITLE SALES DRAWING 3.0 BOARD TO BOARD CONN. HOUSING ASSEMBLY				
A2	REV	DRAFT WHERE APPLICABLE MUST REMAIN WITHIN DIMENSIONS		CHECKED BY DSOH DATE 2001/06/25	MOLEX INCORPORATED		SHEET NO. 3 OF 3	
		MATERIAL NO. SEE TABLE		DOCUMENT NO. SD-52872-008		THIS DRAWING CONTAINS INFORMATION THAT IS PROPRIETARY TO MOLEX INCORPORATED AND SHOULD NOT BE USED WITHOUT WRITTEN PERMISSION		

9 8 7 6 5 4 3 2 1