

5278-CWP

15 Amp, 125 Volt, NEMA 5-15P, 2P, 3W, Power Inlet Receptacle, Straight Blade, Industrial Grade, Grounding, , Standard Wire Wells Wired, Nylon Strap, - Gray

Leviton's Straight Blade Power Inlets are suitable for industrial indoor and outdoor applications. Glass-filled thermoplastic cover and plate provides outstanding impact resistance and durability. Stainless steel external hardware resists corrosive effects of moisture as dual gaskets, one under plate and one under lid, provide for a superior weather-resistant fit.



UPC Code : 078477018712

Country Of Origin : United States



Technical Information

AC Horsepower Ratings

At Rated Voltage : 1/2 HP

Electrical Specifications

Amperage : 15 A

Current Limiting : Full Rated Current

Dielectric Voltage : Withstands 1500V per UL498

Grounding : Grounding

Pole : 2

Temperature Rise : Max 30C after 250 cycles OL at 200 percent rated current

Voltage : 125 VAC

Wire : 3

Environmental Specifications

Environment : Dry

Flammability : Rated V-2 per UL 94

Operating Temperature : -40°C to 60°C

Material Specifications

Body Material : Nylon

Color : Gray

Cover and Plate Material : Glass-Filled Thermoplastic

Face Material : Nylon

Grounding Screw : Brass 8-32

Line Contacts : Brass

Strap Material : Nylon

Terminal Screws : Brass 10-32

Mechanical Specifications

Product ID : Markings are permanently marked on device

Terminal Accom. : 18-10 AWG

Terminal ID : Brass-Hot, Green-Ground, Silver-Neutral

Termination : Standard Wire Wells

Product Features

Color : Gray

Device Type : Straight Blade Flanged Inlet

NEMA : 5-15P

Standards and Certifications

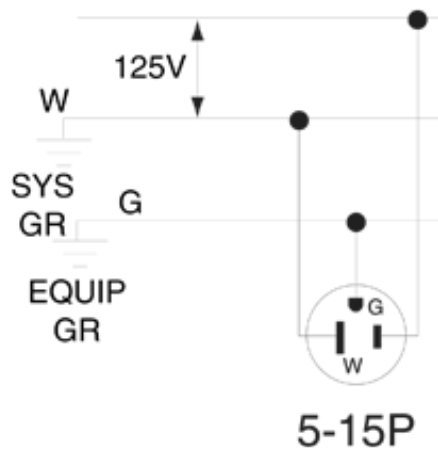
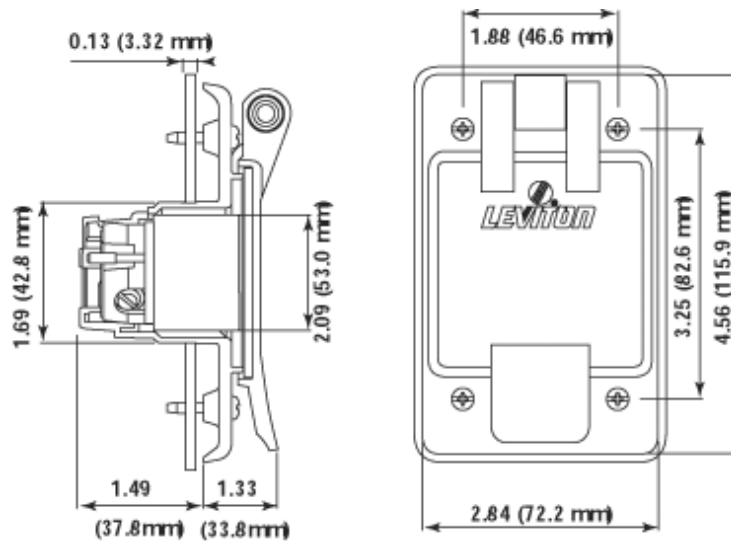
ANSI : C-73

CSA C22.2 No. 42 : File LR-16347

NEMA : WD-6

NOM : 057

UL498 : File E13393



SPECIFICATION SUBMITTAL

JOB NAME: <input style="width: 95%;" type="text"/>	CATALOG NUMBERS: <input style="width: 95%;" type="text"/>
JOB NUMBER: <input style="width: 95%;" type="text"/>	<input style="width: 95%;" type="text"/>

Leviton Manufacturing Co., Inc.

201 North Service Road, Melville, NY 11747

Telephone: +1-800-323-8920 · FAX: +1-800-832-9538 · Tech Line (8:30AM-7:30PM E.S.T. Monday-Friday):

+1-800-824-3005

Leviton Manufacturing of Canada, Ltd.

165 Hymus Boulevard, Pointe Claire, Quebec H9R 1E9 · Telephone: +1-800-469-7890 ·

FAX: +1-800-824-3005 · www.leviton.com/canada

Leviton S. de R.L. de C.V.

Lago Tana 43, Mexico DF, Mexico CP 11290 · Tel.: (+52)55-5082-1040 · FAX: (+52)5386-

1797 · www.leviton.com.mx

Visit our Website at: www.leviton.com

© 2018 Leviton Manufacturing Co., Inc. All Rights Reserved. Subject to change without notice.

Leviton has a global presence.

If you would like to know where your local Leviton office is located please go to:

www.leviton.com/international/contacts/

