

PLEASE CHECK WWW.MOLEX.COM FOR LATEST PART INFORMATION

Part Number: **0525590870**
Status: **Contact Molex**
Description: 0.50mm (.020") Pitch FFC/FPC Connector, Vertical, SMT, ZIF, 8 Circuits, Lead-free

Documents:

3D Model [Packaging Specification SPK-52559-003 \(PDF\)](#)
Drawing (PDF) [RoHS Certificate of Compliance \(PDF\)](#)
Product Specification PS-52559-012 (PDF)

Agency Certification

UL E29179

General

Product Family FFC/FPC Connectors
Series [52559](#)
Product Name N/A

Physical

Circuits (Loaded) 8
Color - Resin Natural
Contact Position N/A
Durability (mating cycles max) 20
Entry Angle Vertical
Flammability 94V-0
Mated Height 3.90mm (.154")
Material - Metal Phosphor Bronze
Material - Plating Mating Tin-Bismuth
Material - Plating Termination Tin-Bismuth
Number of Rows 1
Orientation Vertical
PCB Locator No
PCB Retention Yes
Packaging Type Embossed Tape on Reel
Pitch - Mating Interface 0.50mm (.020")
Polarized to PCB No
Stackable No
Temperature Range - Operating -40°C to +85°C
Termination Interface: Style Surface Mount
Wire/Cable Type FFC/FPC

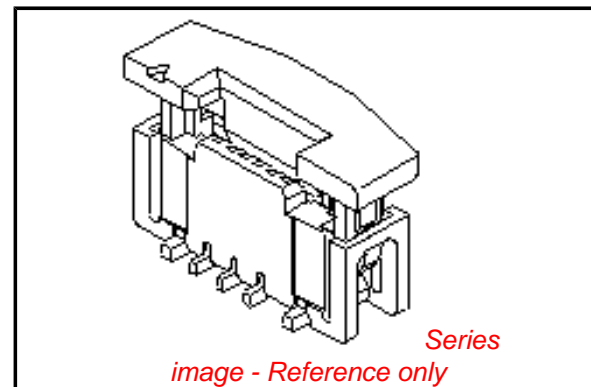
Electrical

Current - Maximum per Contact 0.5A
Voltage - Maximum 50V

Material Info

Reference - Drawing Numbers

Packaging Specification SPK-52559-003
Product Specification PS-52559-012, RPS-52559-049, RPS-52559-052,
RPS-52559-054, RPS-52559-055, RPS-52559-073,
RPS-52559-076, RPS-52559-077
Sales Drawing SD-52559-029, SD-52559-045



EU RoHS

**ELV and RoHS
Compliant
REACH SVHC
Contains SVHC: No
Low-Halogen Status
Not Low-Halogen**

China RoHS



**Need more information on product
environmental compliance?**

Email productcompliance@molex.com
For a multiple part number RoHS Certificate of
Compliance, [click here](#)

Please visit the [Contact Us](#) section for any
non-product compliance questions.

Search Parts in this Series

[52559Series](#)