

5229996-3 ✓ ACTIVE

CHAMP | CHAMP Docking Connectors

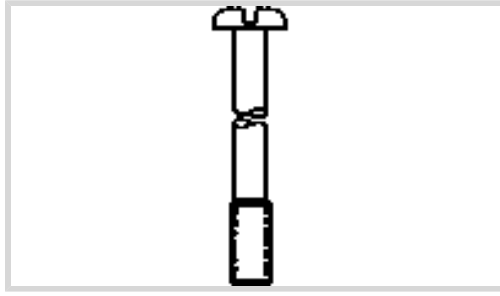
TE Internal #: 5229996-3

CHAMP Docking Connectors, D-Sub Locking & Mounting, Captive Pan Head Screw, Screw Length .35 in [8.89 mm]

[View on TE.com >](#)



Connectors > D-Shaped Connectors > D-Sub Accessories > Locking & Mounting



D-Shaped Connector Accessories: **Captive Pan Head Screw**

Screw Length: 8.89 mm [.35 in]

Features

Product Type Features

Product Type	Accessory
D-Shaped Connector Accessories	Captive Pan Head Screw

Mechanical Attachment

Screw & Hole Thread Size	4-40 UNC 2A
Screw Length	8.89 mm [.35 in]

Dimensions

Thread Length	2.79 mm [.11 in]
---------------	------------------

Packaging Features

Packaging Quantity	5000
Packaging Method	Bag

Product Compliance

[For compliance documentation, visit the product page on TE.com>](#)

EU RoHS Directive 2011/65/EU	Compliant
EU ELV Directive 2000/53/EC	Compliant
China RoHS 2 Directive MIIT Order No 32, 2016	No Restricted Materials Above Threshold
EU REACH Regulation (EC) No. 1907/2006	Current ECHA Candidate List: JUN 2020 (209) Candidate List Declared Against: JAN 2018 (181) Does not contain REACH SVHC
Halogen Content	BFR/CFR/PVC Free, but Br/Cl >900 ppm in other sources.

Solder Process Capability

Not applicable for solder process capability

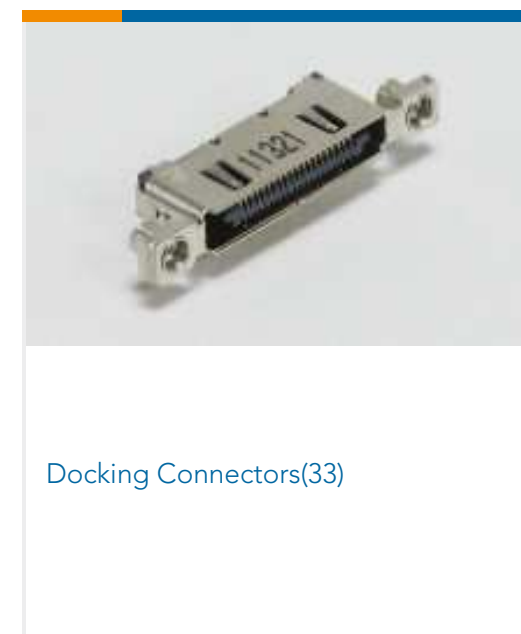
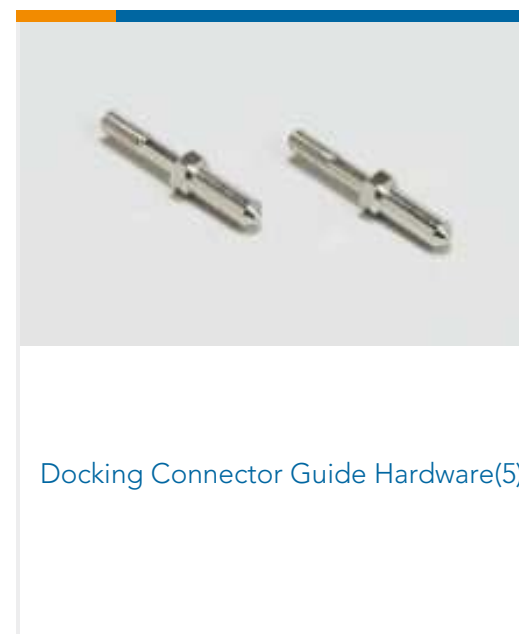
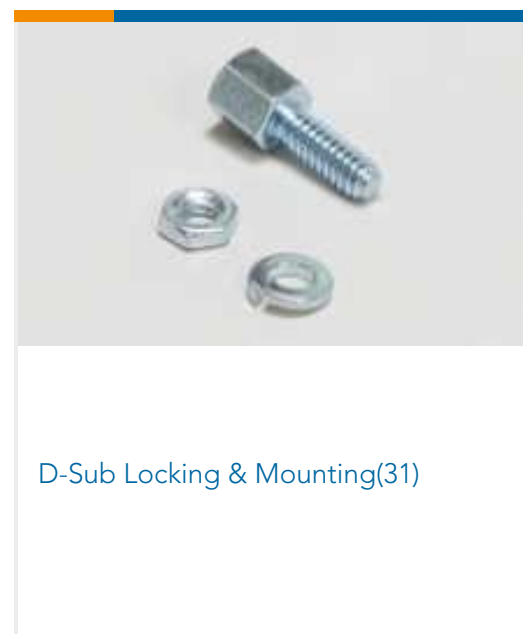
Product Compliance Disclaimer

This information is provided based on reasonable inquiry of our suppliers and represents our current actual knowledge based on the information they provided. This information is subject to change. The part numbers that TE has identified as EU RoHS compliant have a maximum concentration of 0.1% by weight in homogenous materials for lead, hexavalent chromium, mercury, PBB, PBDE, DBP, BBP, DEHP, DIBP, and 0.01% for cadmium, or qualify for an exemption to these limits as defined in the Annexes of Directive 2011/65/EU (RoHS2). Finished electrical and electronic equipment products will be CE marked as required by Directive 2011/65/EU. Components may not be CE marked. Additionally, the part numbers that TE has identified as EU ELV compliant have a maximum concentration of 0.1% by weight in homogenous materials for lead, hexavalent chromium, and mercury, and 0.01% for cadmium, or qualify for an exemption to these limits as defined in the Annexes of Directive 2000/53/EC (ELV). Regarding the REACH Regulation, the information TE provides on SVHC in articles for this part number is based on the latest European Chemicals Agency (ECHA) 'Guidance on requirements for substances in articles' posted at this URL: <https://echa.europa.eu/guidance-documents/guidance-on-reach>

Compatible Parts



Also in the Series | CHAMP Docking Connectors



Customers Also Bought



TE Model / Part #552285-1
ASSY, PLUG, 64 POS, B SLOT



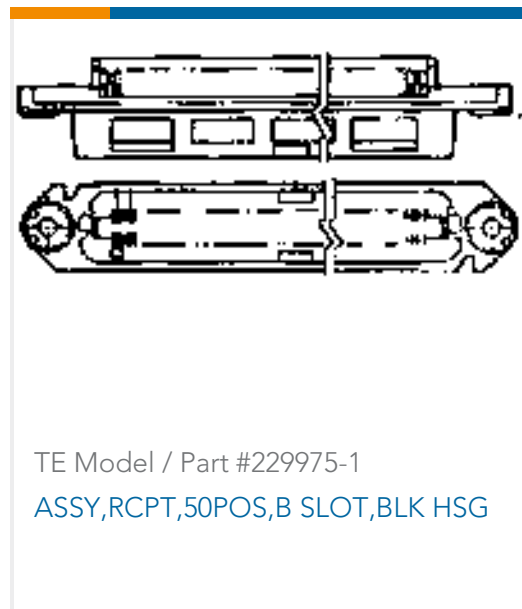
TE Model / Part #552496-1
90 DEG COVER KIT-64 POS BLK



TE Model / Part #552315-1
ASSY, RCPT, 64 POS, B SLOT



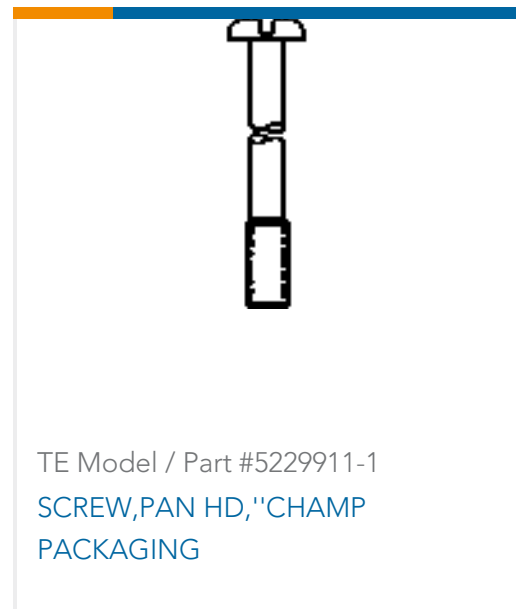
TE Model / Part #552082-1
180 DEG COVER KIT 64 POS



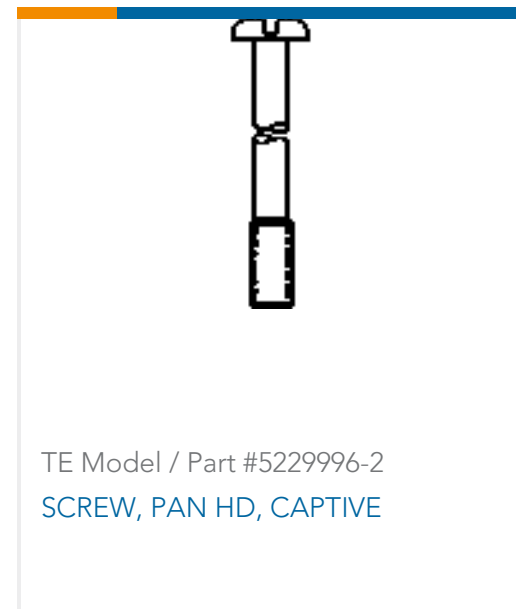
TE Model / Part #229975-1
ASSY,RCPT,50POS,B SLOT,BLK HSG



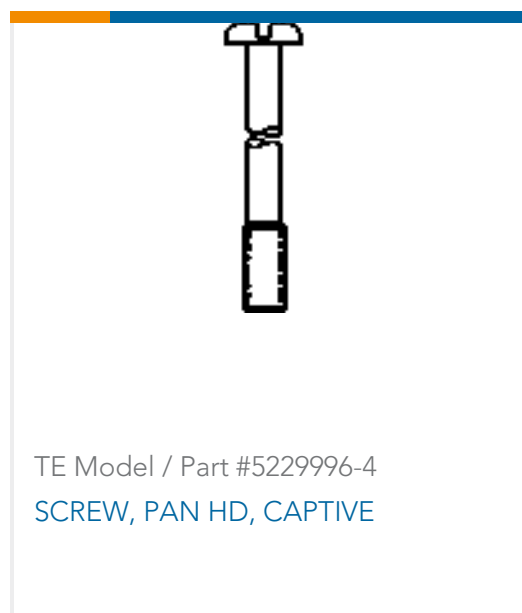
TE Model / Part #552008-1
KIT, COVER, 180, 50 POS



TE Model / Part #5229911-1
SCREW,PAN HD,"CHAMP
PACKAGING



TE Model / Part #5229996-2
SCREW, PAN HD, CAPTIVE



TE Model / Part #5229996-4
SCREW, PAN HD, CAPTIVE



TE Model / Part #5749889-3
50 50SR KIT,ST,UK

Documents

Product Drawings

SCREW, PAN HD, CAPTIVE

English

CAD Files

3D PDF

3D

Customer View Model

[ENG_CVM_CVM_5229996-3_C.2d_dxf.zip](#)

English

Customer View Model

[ENG_CVM_CVM_5229996-3_C.3d_igs.zip](#)

English

Customer View Model

[ENG_CVM_CVM_5229996-3_C.3d_stp.zip](#)

English

By downloading the CAD file I accept and agree to the [Terms and Conditions](#) of use.

Product Environmental Compliance

5229996-3

CHAMP Docking Connectors, D-Sub Locking & Mounting, Captive Pan Head Screw,
Screw Length .35 in [8.89 mm]



TE Material Declaration

English