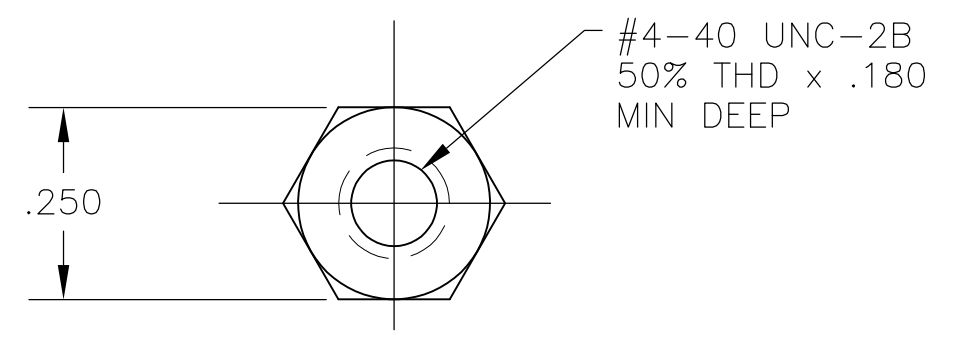
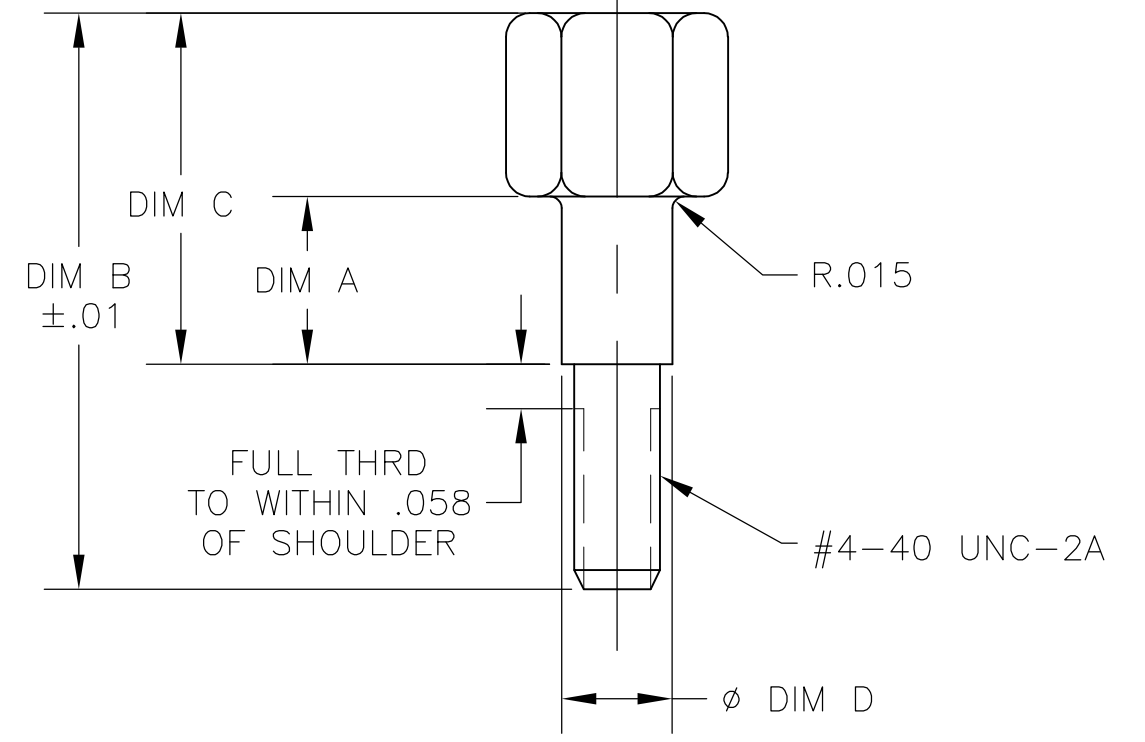


THIS DRAWING IS UNPUBLISHED.      RELEASED FOR PUBLICATION  
 © COPYRIGHT 2005 By -      ALL RIGHTS RESERVED.

LOC	DIST	REVISIONS			
P	LTR	DESCRIPTION	DATE	DWN	APVD
GP	00	A	REVISED PER ECO-12-019458	06MAY2013	CJV PAR



1 MATERIAL: CARBON STEEL, ZINC PLATE WITH YELLOW TRIVALENT CHROMATE.



	.138-.144	.347	.64	.108	5229995-2
OBSOLETE	.138-.144	.457	.75	.218	5229995-1
	φ DIM D	DIM C	DIM B	DIM A	PART NO.

THIS DRAWING IS A CONTROLLED DOCUMENT. DIMENSIONING AND TOLERANCING PER ASME Y14.5M-2009		DWN G.PETERS 05OCT05	<b>STE</b> TE Connectivity														
DIMENSIONS: INCHES		CHK W.MILLHIMES 05OCT05															
TOLERANCES UNLESS OTHERWISE SPECIFIED:		APVD M.WALMSLEY 05OCT05	NAME STAND-OFF, SUTD, MTG														
<table border="0"> <tr><td>0 PLC</td><td>± -</td></tr> <tr><td>1 PLC</td><td>± -</td></tr> <tr><td>2 PLC</td><td>± -</td></tr> <tr><td>3 PLC</td><td>± .005</td></tr> <tr><td>4 PLC</td><td>± -</td></tr> <tr><td>ANGLES</td><td>± -</td></tr> </table>		0 PLC	± -	1 PLC	± -	2 PLC	± -	3 PLC	± .005	4 PLC	± -	ANGLES	± -	PRODUCT SPEC -	APPLICATION SPEC -		
0 PLC	± -																
1 PLC	± -																
2 PLC	± -																
3 PLC	± .005																
4 PLC	± -																
ANGLES	± -																
MATERIAL 1	FINISH 1	WEIGHT -	SIZE A3	CAGE CODE 00779	DRAWING NO C-5229995												
CUSTOMER DRAWING			SCALE 4:1	SHEET 1 OF 1	REV A												