



Appliance Connectors

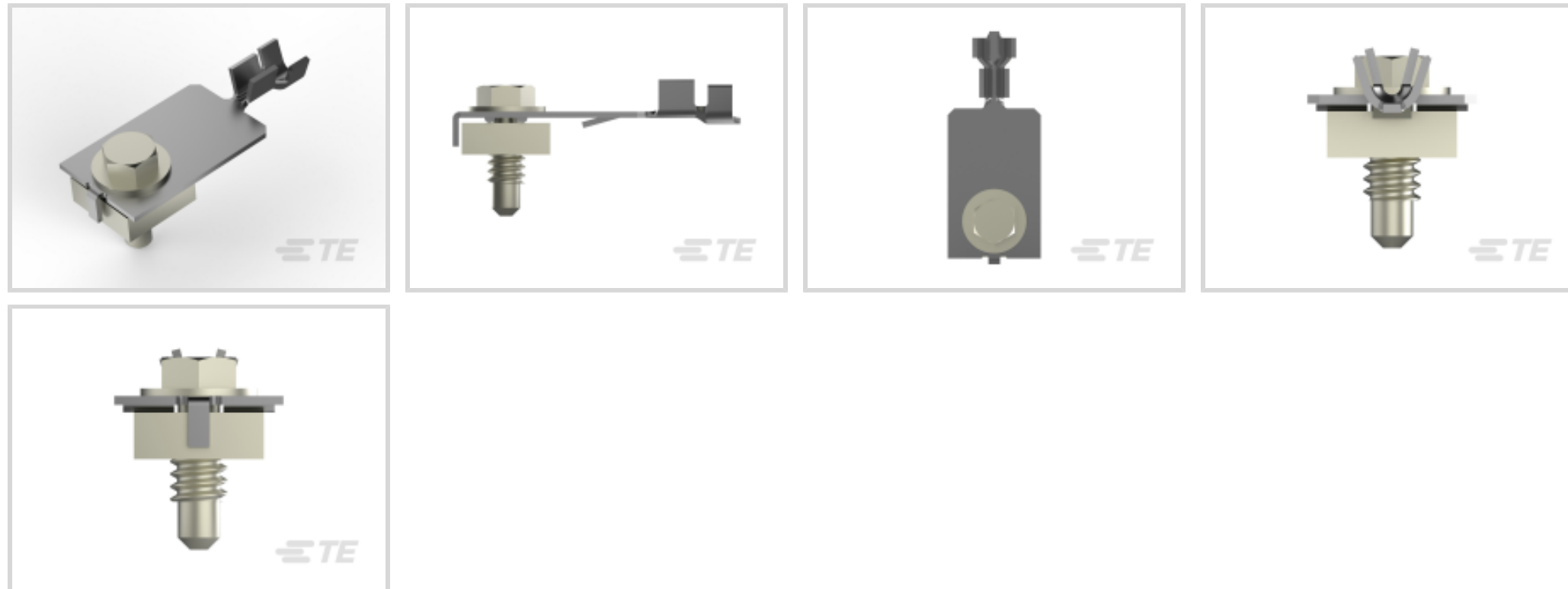
TE Internal #: 521843-1

Special Purpose Terminals, Ring, 16 – 12 AWG Wire Size, 1.3 – 3.3 mm² Wire Size, Pre-Tin Plating, Length 1.362 in [34.61 mm],

Appliance Connectors

[View on TE.com >](#)

Terminals & Splices > Special Purpose Terminals



Special Purpose Terminal Type: **Ring**

Wire Size: **1.3 – 3.3 mm²**

Terminal Material Thickness: **.76 mm [.03 in]**

Terminal Plating Material: **Pre-Tin**

Features

Product Type Features

Wire Insulation Support Retention Type	Insulation Support
Sealable	No

Configuration Features

Compatible With Wire & Cable Type	Discrete Wire
-----------------------------------	---------------

Contact Features

Barrel Type	Open
Special Purpose Terminal Type	Ring
Terminal Plating Material	Pre-Tin
Terminal Orientation	Straight

Mechanical Attachment

Wire Insulation Support	With
-------------------------	------

Dimensions

Wire Size	1.3 – 3.3 mm ²
Terminal Material Thickness	.76 mm[.03 in]

Product Length	34.61 mm[1.362 in]
Compatible Insulation Diameter (Max)	4.06 mm[.16 in]
Compatible Insulation Diameter Range	2.79 – 4.06 mm[.11 – .16 in]

Usage Conditions

Insulation Option	Uninsulated
Operating Temperature Range	-40 – 110 °C[-40 – 221 °F]

Packaging Features

Packaging Quantity	1000
Packaging Method	Reel

Product Compliance

[For compliance documentation, visit the product page on TE.com>](#)

EU RoHS Directive 2011/65/EU	Compliant
EU ELV Directive 2000/53/EC	Compliant
China RoHS 2 Directive MIIT Order No 32, 2016	No Restricted Materials Above Threshold
EU REACH Regulation (EC) No. 1907/2006	Current ECHA Candidate List: JUNE 2024 (241) Candidate List Declared Against: JAN 2023 (233) Does not contain REACH SVHC
Halogen Content	Low Halogen - Br, Cl, F, I < 900 ppm per homogenous material. Also BFR/CFR/PVC Free
Solder Process Capability	Not applicable for solder process capability

Product Compliance Disclaimer

This information is provided based on reasonable inquiry of our suppliers and represents our current actual knowledge based on the information they provided. This information is subject to change. The part numbers that TE has identified as EU RoHS compliant have a maximum concentration of 0.1% by weight in homogenous materials for lead, hexavalent chromium, mercury, PBB, PBDE, DBP, BBP, DEHP, DIBP, and 0.01% for cadmium, or qualify for an exemption to these limits as defined in the Annexes of Directive 2011/65/EU (RoHS2). Finished electrical and electronic equipment products will be CE marked as required by Directive 2011/65/EU. Components may not be CE marked. Additionally, the part numbers that TE has identified as EU ELV compliant have a maximum concentration of 0.1% by weight in homogenous materials for lead, hexavalent chromium, and mercury, and 0.01% for cadmium, or qualify for an exemption to these limits as defined in the Annexes of Directive 2000/53/EC (ELV). Regarding the REACH Regulation, the information TE provides on SVHC in articles for this part number is based on the latest European Chemicals Agency (ECHA) 'Guidance on requirements for substances in articles' posted at this URL: <https://echa.europa.eu/guidance-documents/guidance-on-reach>

Compatible Parts




TE Part # 520936-1
POWER RING 250 ASY 16-10 AWG NL



TE Part # 1217851-1
POWER RING SUB- ASSEMBLY 18-14 AWG



TE Part # 1743067-2
TERMINAL BLOCK FOR DRYER



TE Part # 2151316-2
OCEAN_2.0_APPLICATOR-S-140F220O-SSA



TE Part # 521624-1
10-24 NUT



TE Part # 567253-1
HDM



TE Part # 7-2151316-7
OCEAN_2.0_SPARE_PART_KIT-140F220O



TE Part # 7-2151316-2
OCEAN_2.0_APPLICATOR-S-140F220O

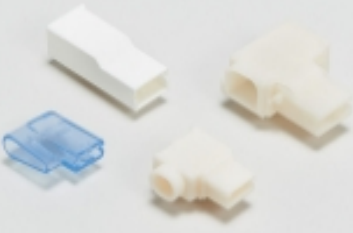


TE Part # 1743067-3
TERMINAL BLOCK FOR DRYER




TE Part # 2238272-1
TERMINAL BLOCK, DRYER, PBT

Also in the Series | Appliance Connectors



Crimp Terminal Housings(1)



Special Purpose Terminals(10)

Customers Also Bought



TE Part #1969442-9
EP 2.5 TPA Housing, 9 Pos



TE Part #1969443-9
EP 2.5 TPA Retainer, 9 Pos



TE Part #1969442-6
EP 2.5 TPA Housing, 6 Pos



TE Part #62591-1
187 FASTON FLAG REC 20-16 AWG TPBR



Documents

Product Drawings

POWER BLOCK ASSEMBLY 16-12 AWG PTPBR

English

CAD Files

3D PDF

3D

Customer View Model

[ENG_CVM_CVM_521843-1_B_c-521843-1-b.2d_dxf.zip](#)

English

Customer View Model

[ENG_CVM_CVM_521843-1_B_c-521843-1-b.3d_igs.zip](#)

English

Customer View Model

[ENG_CVM_CVM_521843-1_B_c-521843-1-b.3d_stp.zip](#)

English

By downloading the CAD file I accept and agree to the [Terms and Conditions](#) of use.

Product Specifications

114-2087

English

Product Specification

English

Power Ring, Housing and Terminal Assemblies

Japanese

Product Specification

Japanese

Power Ring, Housing and Terminal Assemblies

English

Agency Approvals

UL Report

English