



Terminals & Splices > Terminal Housings, Insulation Sleeves & Blocks > Crimp Terminal Housings



Terminal Type: **Tab**

Connector & Housing Type: **Cap**

Number of Positions: **3**

Terminal Orientation: **Straight**

Primary Product Color: **Natural**

Features

Product Type Features

| | |
|-----------------------------------|--------------|
| Sealable | No |
| Connector System | Wire-to-Wire |
| Connector & Contact Terminates To | Wire & Cable |
| Connector & Housing Type | Cap |

Configuration Features

| | |
|---------------------|---|
| Number of Positions | 3 |
|---------------------|---|

Body Features

| | |
|-----------------------|---------|
| Primary Product Color | Natural |
|-----------------------|---------|

Contact Features

| | |
|--------------------------|----------|
| Terminal Type | Tab |
| Terminal Orientation | Straight |
| Contact Mating Retention | With |

Mechanical Attachment

| | |
|-----------------------|--------------|
| Mating Alignment Type | Polarization |
| Mating Retention Type | Latch |

| | |
|-------------------------|----------------------------|
| Mating Alignment | With |
| Connector Mounting Type | Cable Mount (Free-Hanging) |

Housing Features

| | |
|--------------------|------------------|
| Housing Material | Nylon |
| Centerline (Pitch) | 7.49 mm[.295 in] |

Dimensions

| | |
|----------------|-------------------|
| Product Width | 13.97 mm[.55 in] |
| Product Length | 23.75 mm[.935 in] |

Usage Conditions

| | |
|-----------------------------|----------------------------|
| Operating Temperature Range | -40 – 105 °C[-40 – 221 °F] |
|-----------------------------|----------------------------|

Packaging Features

| | |
|--------------------|---------|
| Packaging Quantity | 1 |
| Packaging Method | Package |

Product Compliance

[For compliance documentation, visit the product page on TE.com>](#)

| | |
|---|---|
| EU RoHS Directive 2011/65/EU | Compliant |
| EU ELV Directive 2000/53/EC | Compliant |
| China RoHS 2 Directive MIIT Order No 32, 2016 | No Restricted Materials Above Threshold |
| EU REACH Regulation (EC) No. 1907/2006 | Current ECHA Candidate List: JUNE 2023 (235) Candidate List Declared Against: JUNE 2023 (235) Does not contain REACH SVHC |
| Halogen Content | Low Halogen - Br, Cl, F, I < 900 ppm per homogenous material. Also BFR/CFR/PVC Free |
| Solder Process Capability | Not applicable for solder process capability |

Product Compliance Disclaimer

This information is provided based on reasonable inquiry of our suppliers and represents our current actual knowledge based on the information they provided. This information is subject to change. The part numbers that TE has identified as EU RoHS compliant have a maximum concentration of 0.1% by weight in homogenous materials for lead, hexavalent chromium, mercury, PBB, PBDE, DBP, BBP, DEHP, DIBP, and 0.01% for cadmium, or qualify for an exemption to these limits as defined in the Annexes of Directive 2011/65/EU (RoHS2). Finished electrical and electronic equipment products will be CE marked as required by Directive 2011/65/EU. Components may not be CE marked. Additionally, the part numbers that TE has identified as EU ELV compliant have a maximum concentration of 0.1% by weight in homogenous materials for lead, hexavalent chromium, and mercury, and 0.01% for cadmium, or qualify for an exemption to these limits as defined in the Annexes of Directive 2000/53/EC (ELV). Regarding the REACH Regulation, the information TE provides on SVHC in articles for this part number is based on the latest European Chemicals Agency (ECHA) 'Guidance on

requirements for substances in articles' posted at this URL: <https://echa.europa.eu/guidance-documents/guidance-on-reach>

Also in the Series | Power Blade Products



Quick Disconnects(1)

Customers Also Bought



TE Part #2151582-1
OCEAN_2.0_Applicator-S-110F165O



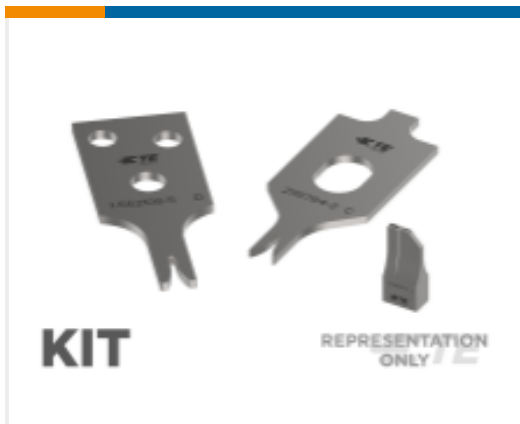
TE Part #215882-6
AMP-LATCH MIL TYPE RCPT CONNECTOR



TE Part #2836077-1
OCEAN_2.0_Applicator-S-070F100O



TE Part #7-2150373-7
OCEAN-055F080F-CRIMPTOOLINGKIT



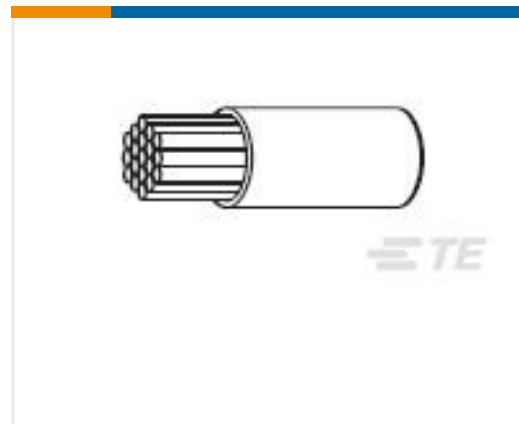
TE Part #7-2266813-7
OCEAN_2.0_SPARE_PART_KIT-055F062F



TE Part #7-2837932-7
OCEAN_2.0_SPARE_PART_KIT-062F091O



TE Part #926298-5
UN-MNL STECK-GEH 4P



TE Part #886281-000
FLHTC0311-26-2



TE Part #2151757-1
OC-AT-S-FM-100F155F-001-0331

Documents

[CAD Files](#)

[3D PDF](#)

[3D](#)



Customer View Model

[ENG_CVM_CVM_521274-2_A.2d_dxf.zip](#)

English

Customer View Model

[ENG_CVM_CVM_521274-2_A.3d_igs.zip](#)

English

Customer View Model

[ENG_CVM_CVM_521274-2_A.3d_stp.zip](#)

English

By downloading the CAD file I accept and agree to the [Terms and Conditions](#) of use.

Agency Approvals

[UL Report](#)

English