



TE Internal #: 5212032-1  
 DIN Connectors, Circular DIN, Wire-to-Board / Wire-to-Panel, 4  
 Position, Selectively Loaded, Keyed Mating Alignment Type, PCB  
 Mount Retention

[View on TE.com >](#)

Connectors > Circular Connectors > DIN Connectors



Circular DIN Connector Type: **Circular DIN**  
 Connector System: **Wire-to-Board, Wire-to-Panel**  
 Number of Positions: **4**  
 Connector Contact Load Condition: **Selectively Loaded**  
 Mating Alignment Type: **Keyed**

### Features

#### Product Type Features

Circular DIN Connector Type	Circular DIN
Connector System	Wire-to-Board, Wire-to-Panel
Connector & Contact Terminates To	Printed Circuit Board

#### Configuration Features

PCB Mount Orientation	Right Angle
Number of Positions	4
Connector Contact Load Condition	Selectively Loaded

#### Electrical Characteristics

Operating Voltage	250 VAC
-------------------	---------

#### Body Features

Shield Plating Thickness	2.54 $\mu\text{m}$ [100 $\mu\text{in}$ ]
Shield Underplate Material	Nickel
Shield Underplate Thickness	1.27 $\mu\text{m}$ [50 $\mu\text{in}$ ]
Shield Plating Material	Tin/Nickel



Shield Material	Brass
-----------------	-------

Primary Product Color	Black
-----------------------	-------

### Contact Features

PCB Contact Termination Area Plating Material Thickness	2.54 $\mu\text{m}$ [100 $\mu\text{in}$ ]
---	--

Contact Layout	Staggered
----------------	-----------

Contact Mating Area Plating Material Thickness	2.54 $\mu\text{m}$ [100 $\mu\text{in}$ ]
--	--

Contact Mating Area Plating Material	Tin
--------------------------------------	-----

Contact Shape & Form	Tuning Fork
----------------------	-------------

Contact Underplating Material	Nickel
-------------------------------	--------

PCB Contact Termination Area Plating Material	Tin
---	-----

Contact Base Material	Brass
-----------------------	-------

Contact Current Rating (Max)	7.5 A
------------------------------	-------

### Termination Features

Termination Post & Tail Length	3.56 mm[.14 in]
--------------------------------	-----------------

Termination Method to Printed Circuit Board	Through Hole - Solder
---	-----------------------

### Mechanical Attachment

PCB Mount Alignment Type	Solder Tail Layout
--------------------------	--------------------

Mating Retention	Without
------------------	---------

Mating Alignment	With
------------------	------

PCB Mount Alignment	With
---------------------	------

Panel Mount Feature	With
---------------------	------

Panel Mount Feature Type	Self-Tapping Screw
--------------------------	--------------------

Mating Alignment Type	Keyed
-----------------------	-------

PCB Mount Retention	With
---------------------	------

PCB Mount Retention Type	Kinked Legs
--------------------------	-------------

Connector Mounting Type	Panel Mount
-------------------------	-------------

### Housing Features

Housing Material	Nylon
------------------	-------

Centerline (Pitch)	2.49 mm[.1 in]
--------------------	----------------

### Dimensions

Connector Height	20.83 mm[.82 in]
------------------	------------------

PCB Thickness (Recommended)	2.36 mm
-----------------------------	---------



Product Width	15.49 mm[.61 in]
---------------	------------------

Product Length	20.07 mm[.79 in]
----------------	------------------

### Usage Conditions

Operating Temperature Range	-55 – 105 °C[-67 – 221 °F]
-----------------------------	----------------------------

### Operation/Application

Shielded	Yes
----------	-----

Circuit Application	Signal
---------------------	--------

### Industry Standards

Compatible With Approved Standards Products	CSA LR3507, UL E28476
---	-----------------------

UL Flammability Rating	UL 94V-0
------------------------	----------

### Packaging Features

Packaging Quantity	100
--------------------	-----

Packaging Method	Package
------------------	---------

## Product Compliance

[For compliance documentation, visit the product page on TE.com>](#)

EU RoHS Directive 2011/65/EU	Compliant
------------------------------	-----------

EU ELV Directive 2000/53/EC	Compliant
-----------------------------	-----------

China RoHS 2 Directive MIIT Order No 32, 2016	No Restricted Materials Above Threshold
---	---

EU REACH Regulation (EC) No. 1907/2006	Current ECHA Candidate List: JUNE 2024 (241) Candidate List Declared Against: JAN 2023 (233) Does not contain REACH SVHC
--	--

Halogen Content	BFR/CFR/PVC Free, but Br/Cl >900 ppm in other sources.
-----------------	--

Solder Process Capability	Wave solder capable to 265°C
---------------------------	------------------------------

#### Product Compliance Disclaimer

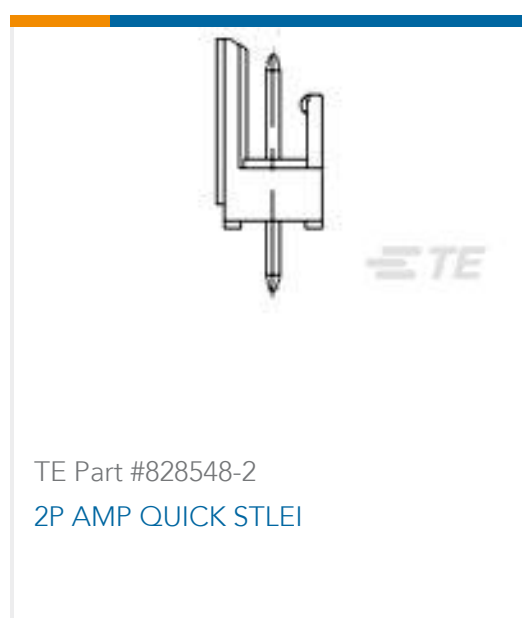
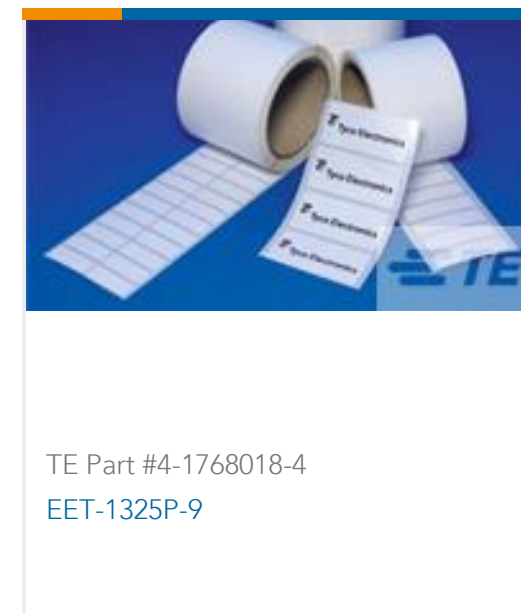
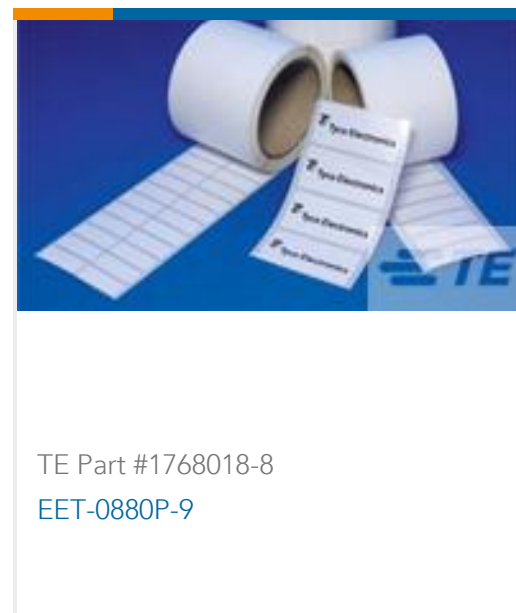
This information is provided based on reasonable inquiry of our suppliers and represents our current actual knowledge based on the information they provided. This information is subject to change. The part numbers that TE has identified as EU RoHS compliant have a maximum concentration of 0.1% by weight in homogenous materials for lead, hexavalent chromium, mercury, PBB, PBDE, DBP, BBP, DEHP, DIBP, and 0.01% for cadmium, or qualify for an exemption to these limits as defined in the Annexes of Directive 2011/65/EU (RoHS2). Finished electrical and electronic equipment products will be CE marked as required by Directive 2011/65/EU. Components may not be CE marked. Additionally, the part numbers that TE has identified as EU ELV compliant have a maximum concentration of 0.1% by weight in homogenous materials for lead, hexavalent chromium, and mercury, and 0.01% for cadmium, or qualify for an exemption to these limits as defined in the Annexes of Directive 2000/53/EC (ELV). Regarding the REACH Regulation, the information TE provides

on SVHC in articles for this part number is based on the latest European Chemicals Agency (ECHA) 'Guidance on requirements for substances in articles' posted at this URL: <https://echa.europa.eu/guidance-documents/guidance-on-reach>

## Compatible Parts



## Customers Also Bought



## Documents

### Product Drawings

4 CIRC DIN RCPT GRND SHLD

English



### CAD Files

#### Customer View Model

[ENG\\_CVM\\_5212032-1\\_O1.3d\\_igs.zip](#)

English

#### Customer View Model

[ENG\\_CVM\\_5212032-1\\_O1.3d\\_stp.zip](#)

English

#### Customer View Model

[ENG\\_CVM\\_5212032-1\\_O1.2d\\_dxf.zip](#)

English

### 3D PDF

English

By downloading the CAD file I accept and agree to the [Terms and Conditions](#) of use.

### Product Specifications

#### Application Specification

English

### Agency Approvals

#### Agency Approval Document

English