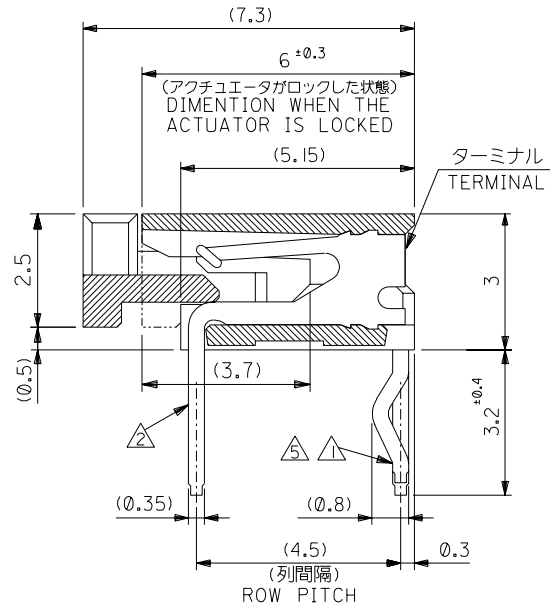
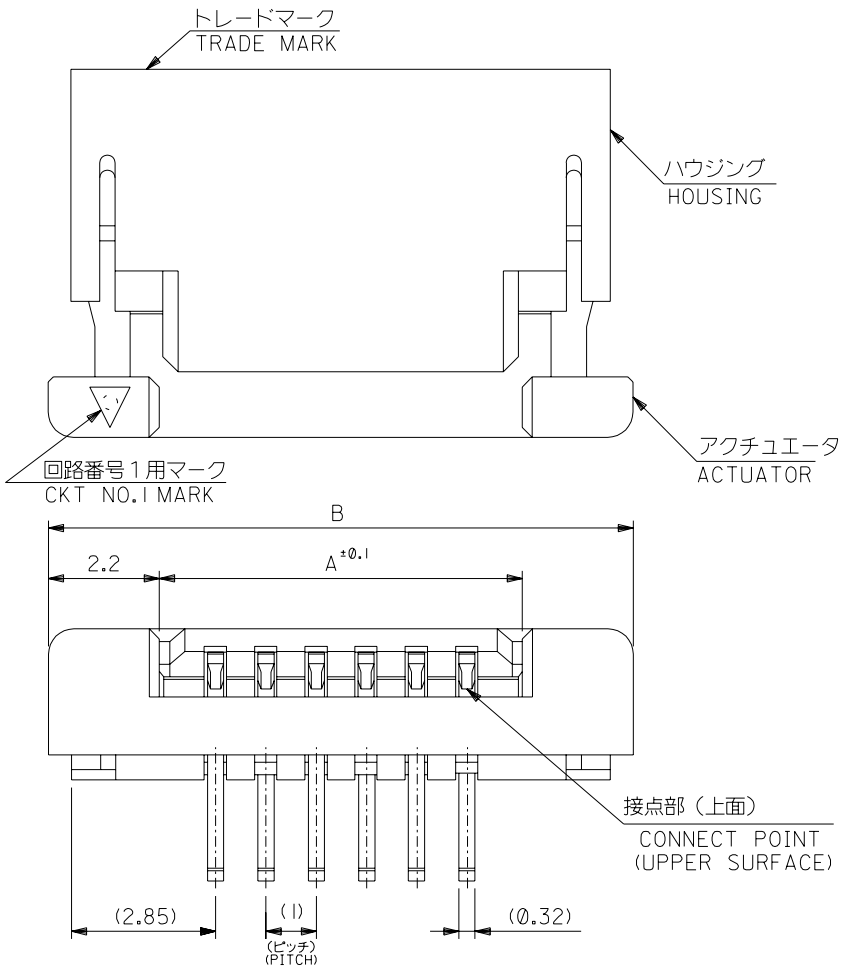


DWG. NO. SD-52089-010



35.6	31.2	52089-3029	30
34.6	30.2	-2929	29
33.6	29.2	-2829	28
32.6	28.2	-2729	27
31.6	27.2	-2629	26
30.6	26.2	-2529	25
29.6	25.2	-2429	24
28.6	24.2	-2329	23
27.6	23.2	-2229	22
26.6	22.2	-2129	21
25.6	21.2	-2029	20
24.6	20.2	-1929	19
23.6	19.2	-1829	18
22.6	18.2	-1729	17
21.6	17.2	-1629	16
20.6	16.2	-1529	15
19.6	15.2	-1429	14
18.6	14.2	-1329	13
17.6	13.2	-1229	12
16.6	12.2	-1129	11
15.6	11.2	-1029	10
14.6	10.2	-0929	9
13.6	9.2	-0829	8
12.6	8.2	-0729	7
11.6	7.2	-0629	6
10.6	6.2	-0529	5
9.6	5.2	52089-0429	4
B	A	MATERIAL NO.	極数 CKT.

DO NOT SCALE DRAWING

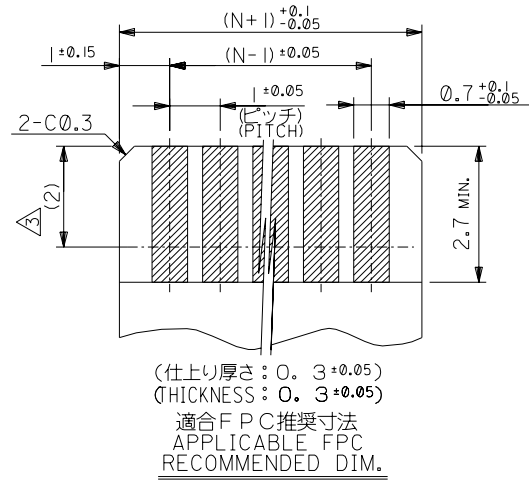
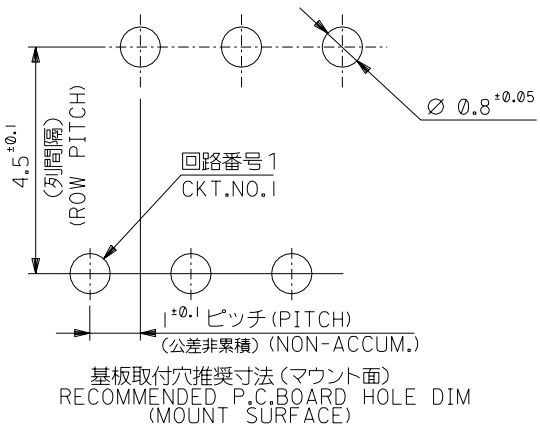
EC NO. DRWN: CHK: APPR:	EC NO. DRWN: CHK: APPR:	EC NO. DRWN: CHK: APPR:	EC NO. DRWN: CHK: APPR:	EC NO. DRWN: CHK: APPR:
EC NO. DRWN: CHK: APPR:	EC NO. DRWN: CHK: APPR:	EC NO. DRWN: CHK: APPR:	EC NO. DRWN: CHK: APPR:	EC NO. DRWN: CHK: APPR:

RELEASED
EC NO. J2004-2520
DRWN: H.KAWABATA '04/02/18
CHK: K.TOJO '04/02/18
APPR: M.SASAO '04/02/18

MATERIAL 材料	SHEET 2 OF 2 参照 REFER TO SHEET 2 OF 2
FINISH 仕上げ	—
WIRE RANGE 適用電線範囲	—
INS. RANGE 被覆外径	—

GENERAL TOLERANCES: (UNLESS SPECIFIED) 一般公差	SCALE —
10 UNDER 未満	±0.2
10 OVER 30 UNDER 以上 未満	±0.25
30 OVER 以上	±0.3
ANGLE 角度	±3°

MODEL NO.	52089-***29	DIMENSIONS:	<input type="checkbox"/> mm <input type="checkbox"/> INCH <input checked="" type="checkbox"/> mm ONLY	SHT	REV
DESIGN UNITS	<input checked="" type="checkbox"/> mm <input type="checkbox"/> INCH	THIRD ANGLE PROJECTION	<input type="checkbox"/> mm <input type="checkbox"/> INCH	REVISE ON CAD ONLY	
DRAWN BY & DATE	H.KAWABATA '04/02/18	TITLE:	I.0 FPC CONN. Z.I.F.R/A -LEAD FREE-		
CHECKED BY & DATE	K.TOJO '04/02/18	MOLEX INCORPORATED			
APPROVED BY & DATE	M.SASAO '04/02/18	CAD FILENAME	SD-52089-010.S01	MATERIAL NO.	SEE CHART
		DRAWING NO.	SD-52089-010	SHEET NO.	1 OF 2
THIS DRAWING CONTAINS INFORMATION THAT IS PROPRIETARY TO MOLEX INCORPORATED AND SHOULD NOT BE USED WITHOUT WRITTEN PERMISSION.					SIZE B



注記 NOTES

- △ CKT NO.1を基準に偶数番目のソルダーテール。
EVEN NUMBER SOLDER TAIL
- △ CKT NO.1を基準に奇数番目のソルダーテール。
ODD NUMBER SOLDER TAIL
- △ 接点部までの嵌合長さ。
LENGTH TO CONTACT POINT.
- 4. 使用材料
MATERIAL
ハウジング : 66ナイロン, UL94V-0
HOUSING : 66NYLON, UL94V-0
アクチュエータ : ポリエステル, UL94V-0
ACTUATOR : POLYESTER, UL94V-0
ターミナル : リン青銅, ニッケル下地 錫ピスマスメッキ
TERMINAL : PHOS-BRO.TIN-BISMUTH PLATED OVER NICKEL
- △ キングはソルダーテール△の両端のみに適用。
KINK APPLIES BOTH SIDE △ TERMINALS ONLY
- 6. 本製品は 52089-***20 の鉛フリー品である。
THIS PRODUCT IS LEAD FREE OF 52089-***20

FPCについて:
打抜き方向は導体側から補強板側を推奨致します。
補強フィルム材質はポリイミドを推奨致します。
接着剤は熱硬化接着剤を推奨致します。

ABOUT FPC:
RECOMMENDED PUNCHER DIRECTION : FORM CONDUCTOR SIDE TO STIFFENER BOARD SIDE.
RECOMMENDED MATERIAL:
STIFFENER FILM : POLYIMIDE
BONDING AGENT : THERMOSETTING BONDING AGENT

DO NOT SCALE DRAWING

EC NO. DRWN: CHK: APPR:		EC NO. DRWN: CHK: APPR:		EC NO. DRWN: CHK: APPR:		EC NO. DRWN: CHK: APPR:		EC NO. DRWN: CHK: APPR:		SEE SHEET 1 OF 2 EC NO. DRWN: CHK: APPR:		MATERIAL 材料 注記参照 SEE NOTES		GENERAL TOLERANCES: (UNLESS SPECIFIED) 一般公差		SCALE —//		DESIGN UNITS ☑ mm ☐ INCH		THIRD ANGLE PROJECTION		DIMENSIONS: ☐ mm ☐ INCH ☑ mm ONLY		SHT REV	
												FINISH 仕上げ —//		10 UNDER 未満 ±0.2		DRAWN BY & DATE H.KAWABATA '04/02/18		TITLE: I.0 FPC CONN. Z.I.F. R/A							
												WIRE RANGE 適用電線範囲 —//		10 OVER 30 UNDER 未満 ±0.25		CHECKED BY & DATE K.TOJO '04/02/18									
												INS. RANGE 被覆外径 —//		30 OVER 以上 ±0.3		APPROVED BY & DATE M.SASAO '04/02/18		MOLEX MOLEX INCORPORATED							
														ANGLE 角度 ±3°		CAD FILENAME SD-52089-010.S02		MATERIAL NO. SEE SHEET 1 OF 2		DRAWING NO. SD-52089-010		SHEET NO. 2 OF 2			
																								EN-02J(097) MXJ-54	