

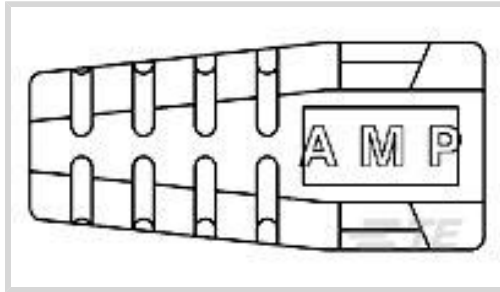
## AMPLIMITE

TE Internal #: 520851-1

SDL Boots &amp; Clamps, Boot, Plug, 4 Conductor, 4 Position

[View on TE.com >](#)

Connectors &gt; Audio &amp; Video Connectors &gt; Shielded Data Link &gt; Boots &amp; Clamps

Protection & Strain Relief Accessory Type: **Boot**Connector & Housing Type: **Plug**Number of Conductors: **4**Number of Positions: **4**

## Features

### Product Type Features

Product Type	Accessory
Cable Type	Round
Receptacle Configuration	Standard
Protection & Strain Relief Accessory Type	Boot
Connector & Housing Type	Plug

### Configuration Features

Number of Conductors	4
Number of Positions	4

### Body Features

Boot Material	Thermoplastic Rubber
Boot Color	Black

### Mechanical Attachment

PCB Mount Retention	Without
---------------------	---------

### Housing Features

Housing Material	Polycarbonate
------------------	---------------

### Industry Standards

Agency/Standard	CSA, UL
-----------------	---------

### Packaging Features

Packaging Method	Loose Piece
------------------	-------------

Packaging Quantity 1

**Other**

Comment	Plug assemblies for round cable need a top shield, bottom shield, boot, and ferrule.
---------	--

**Product Compliance**

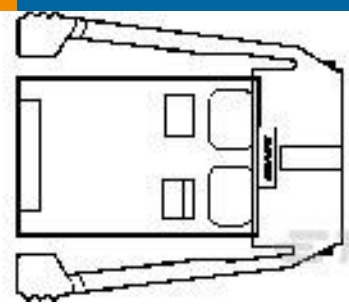
[For compliance documentation, visit the product page on TE.com>](#)

EU RoHS Directive 2011/65/EU	Compliant
EU ELV Directive 2000/53/EC	Compliant
China RoHS 2 Directive MIIT Order No 32, 2016	No Restricted Materials Above Threshold
EU REACH Regulation (EC) No. 1907/2006	Current ECHA Candidate List: JUN 2020 (209) Candidate List Declared Against: JUL 2017 (174) Does not contain REACH SVHC
Halogen Content	Not Low Halogen - contains Br or Cl > 900 ppm.
Solder Process Capability	Not applicable for solder process capability

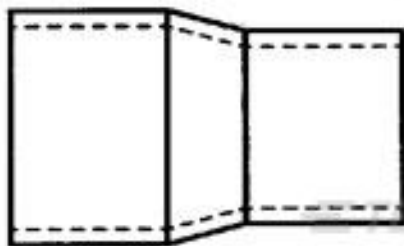
Product Compliance Disclaimer

This information is provided based on reasonable inquiry of our suppliers and represents our current actual knowledge based on the information they provided. This information is subject to change. The part numbers that TE has identified as EU RoHS compliant have a maximum concentration of 0.1% by weight in homogenous materials for lead, hexavalent chromium, mercury, PBB, PBDE, DBP, BBP, DEHP, DIBP, and 0.01% for cadmium, or qualify for an exemption to these limits as defined in the Annexes of Directive 2011/65/EU (RoHS2). Finished electrical and electronic equipment products will be CE marked as required by Directive 2011/65/EU. Components may not be CE marked. Additionally, the part numbers that TE has identified as EU ELV compliant have a maximum concentration of 0.1% by weight in homogenous materials for lead, hexavalent chromium, and mercury, and 0.01% for cadmium, or qualify for an exemption to these limits as defined in the Annexes of Directive 2000/53/EC (ELV). Regarding the REACH Regulation, the information TE provides on SVHC in articles for this part number is based on the latest European Chemicals Agency (ECHA) 'Guidance on requirements for substances in articles' posted at this URL: <https://echa.europa.eu/guidance-documents/guidance-on-reach>


**Customers Also Bought**



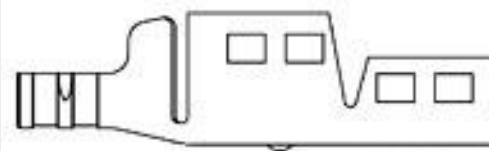
TE Model / Part #4-520424-1  
4 SDL RND PLUG ASSY 50 SERIES



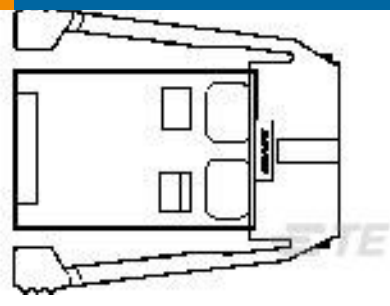
TE Model / Part #520437-1  
8 SDL FERRULE,BULK PKG



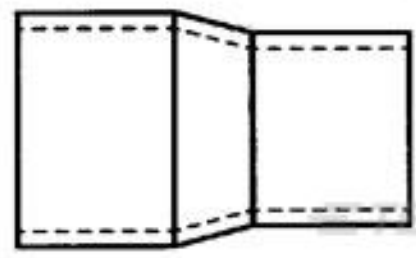
TE Model / Part #520461-1  
4 SDL RND SHIELD,BTTM,BULK PKG



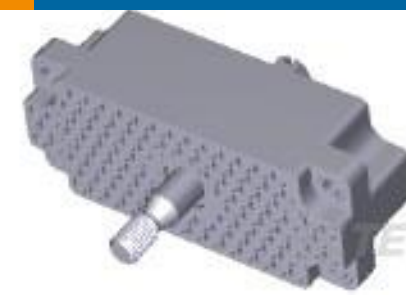
TE Model / Part #520460-1  
4 SDL RND SHIELD,TOP,BULK PKG



TE Model / Part #5-520424-1  
4 SDL RND PLUG ASSY 50 SERIES



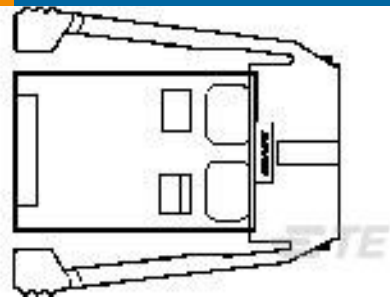
TE Model / Part #520433-1  
4 SDL FERRULE, BULK PKG



TE Model / Part #1-201692-9  
CTR. FASTENER PLUG BLOCK-104



TE Model / Part #102394-5  
14 AMP MODU MT HSG DR .100CL



TE Model / Part #520432-1  
4 SDL FERRULE, BULK PKG

## Documents

### Product Drawings

[4 SDL RND PLUG BOOT, BULK PKG](#)

English

### CAD Files

[3D PDF](#)

3D

Customer View Model

[ENG\\_CVM\\_CVM\\_520851-1\\_K.2d\\_dxf.zip](#)

English

Customer View Model

[ENG\\_CVM\\_CVM\\_520851-1\\_K.3d\\_igs.zip](#)

English

Customer View Model

[ENG\\_CVM\\_CVM\\_520851-1\\_K.3d\\_stp.zip](#)

English

By downloading the CAD file I accept and agree to the [Terms and Conditions](#) of use.

### Product Specifications

[Application Specification](#)

English

### Product Environmental Compliance

[TE Material Declaration](#)

English

### Instruction Sheets

[Instruction Sheet \(U.S.\)](#)



English