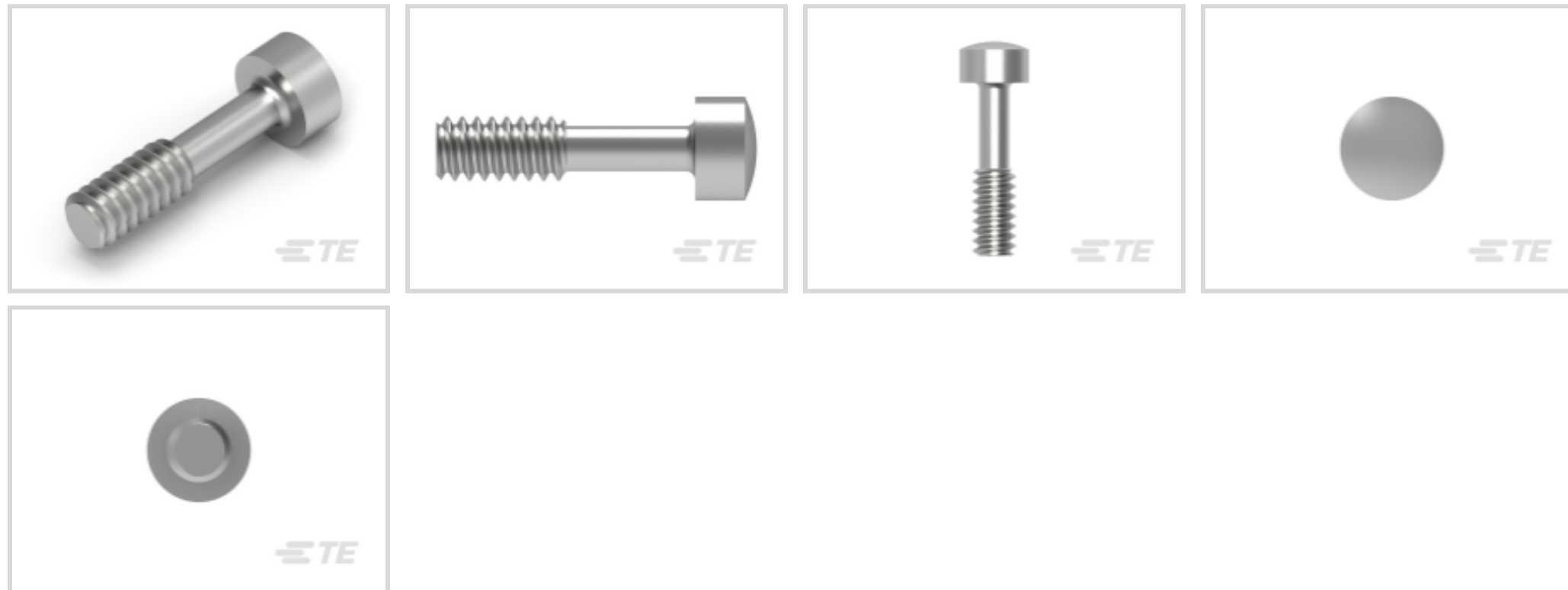




Connectors > Connector Accessories > Connector Hardware



Hardware Accessory Function: **Latching, Locking & Retention, Mounting**

Connector Hardware Accessory Type: **Saddle Screw**

Features

Product Type Features

Hardware Accessory Function	Latching, Locking & Retention, Mounting
Connector Hardware Accessory Type	Saddle Screw

Mechanical Attachment

Thread Size	4-40
-------------	------

Dimensions

Product Feature Length	11.1 mm[.437 in]
------------------------	------------------

Packaging Features

Packaging Quantity	1
Packaging Method	Package

Product Compliance

[For compliance documentation, visit the product page on TE.com>](#)

EU RoHS Directive 2011/65/EU	Compliant
EU ELV Directive 2000/53/EC	Compliant
China RoHS 2 Directive MIIT Order No 32, 2016	No Restricted Materials Above Threshold
EU REACH Regulation (EC) No. 1907/2006	Current ECHA Candidate List: JAN 2024 (240)



Candidate List Declared Against: JAN 2024
(240)

Does not contain REACH SVHC

Halogen Content

Low Halogen - Br, Cl, F, I < 900 ppm per homogenous material. Also BFR/CFR/PVC Free

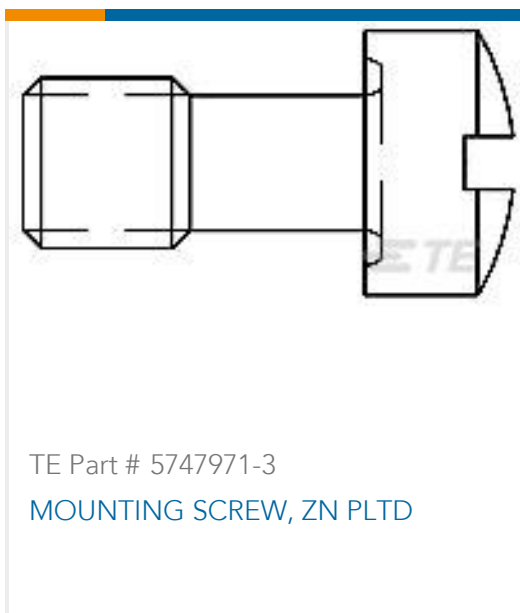
Solder Process Capability

Not applicable for solder process capability

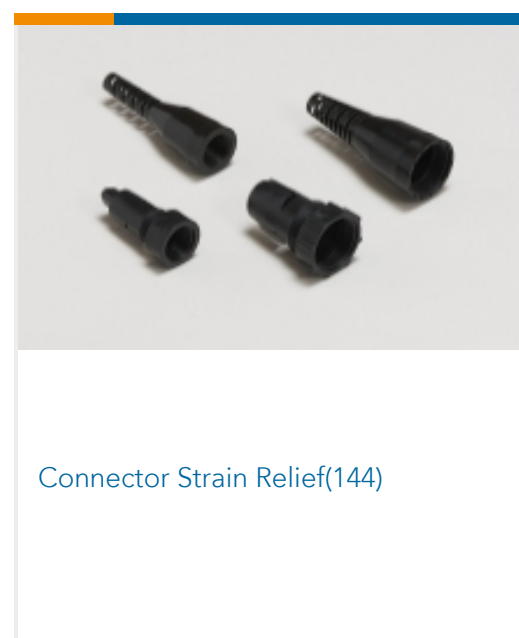
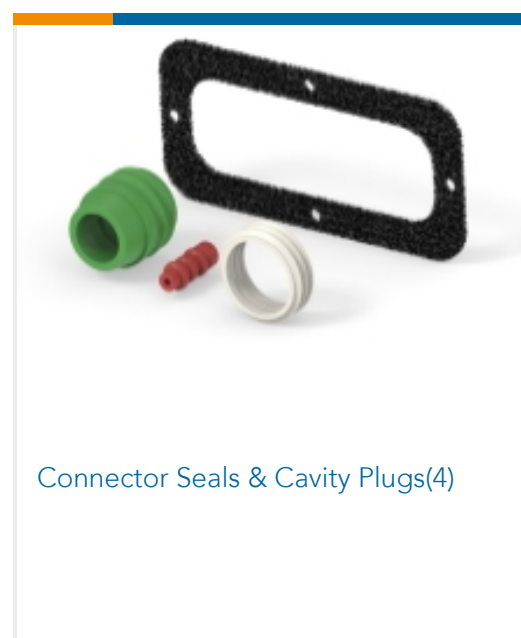
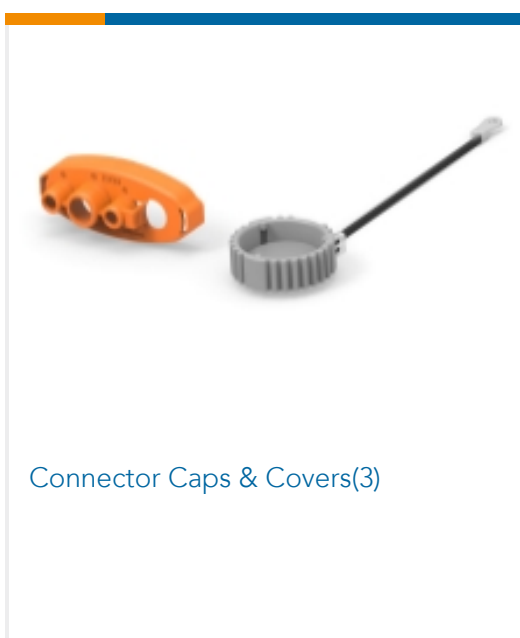
Product Compliance Disclaimer

This information is provided based on reasonable inquiry of our suppliers and represents our current actual knowledge based on the information they provided. This information is subject to change. The part numbers that TE has identified as EU RoHS compliant have a maximum concentration of 0.1% by weight in homogenous materials for lead, hexavalent chromium, mercury, PBB, PBDE, DBP, BBP, DEHP, DIBP, and 0.01% for cadmium, or qualify for an exemption to these limits as defined in the Annexes of Directive 2011/65/EU (RoHS2). Finished electrical and electronic equipment products will be CE marked as required by Directive 2011/65/EU. Components may not be CE marked. Additionally, the part numbers that TE has identified as EU ELV compliant have a maximum concentration of 0.1% by weight in homogenous materials for lead, hexavalent chromium, and mercury, and 0.01% for cadmium, or qualify for an exemption to these limits as defined in the Annexes of Directive 2000/53/EC (ELV). Regarding the REACH Regulation, the information TE provides on SVHC in articles for this part number is based on the latest European Chemicals Agency (ECHA) 'Guidance on requirements for substances in articles' posted at this URL: <https://echa.europa.eu/guidance-documents/guidance-on-reach>

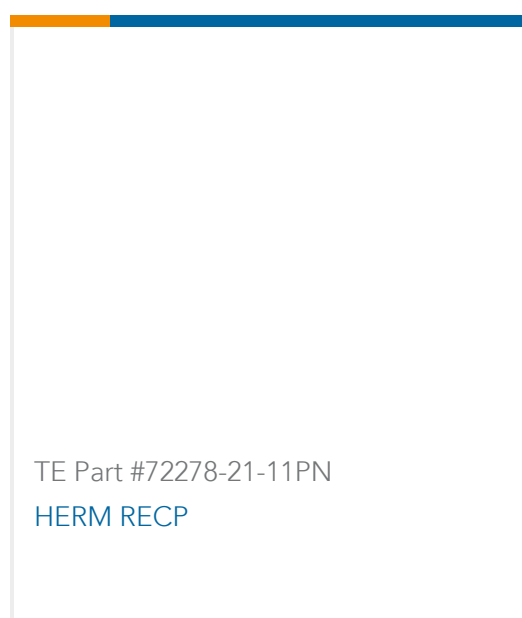
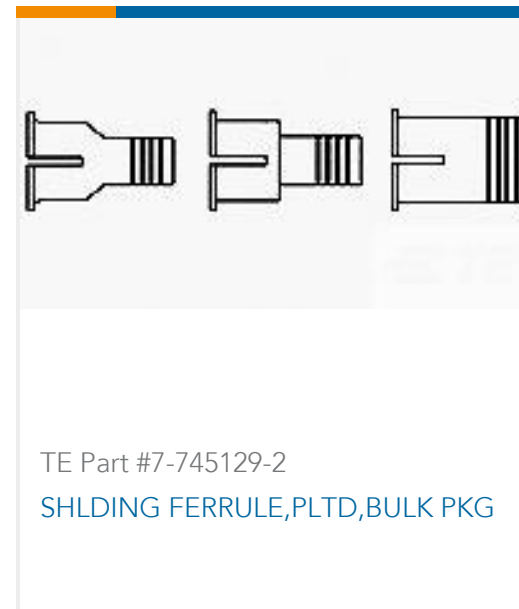
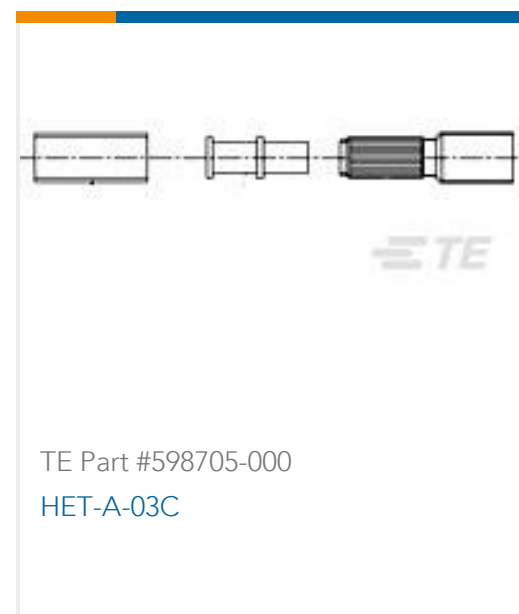
Compatible Parts



Also in the Series | AMPLIMITE Kit



Customers Also Bought



Documents

Product Drawings

SCREW,SPECIAL,ZN

English

CAD Files

3D PDF

3D

Customer View Model

[ENG_CVM_CVM_5206052-3_O.2d_dxf.zip](#)

English

Customer View Model

[ENG_CVM_CVM_5206052-3_O.3d_igs.zip](#)

English

Customer View Model

[ENG_CVM_CVM_5206052-3_O.3d_stp.zip](#)

English

By downloading the CAD file I accept and agree to the [Terms and Conditions](#) of use.