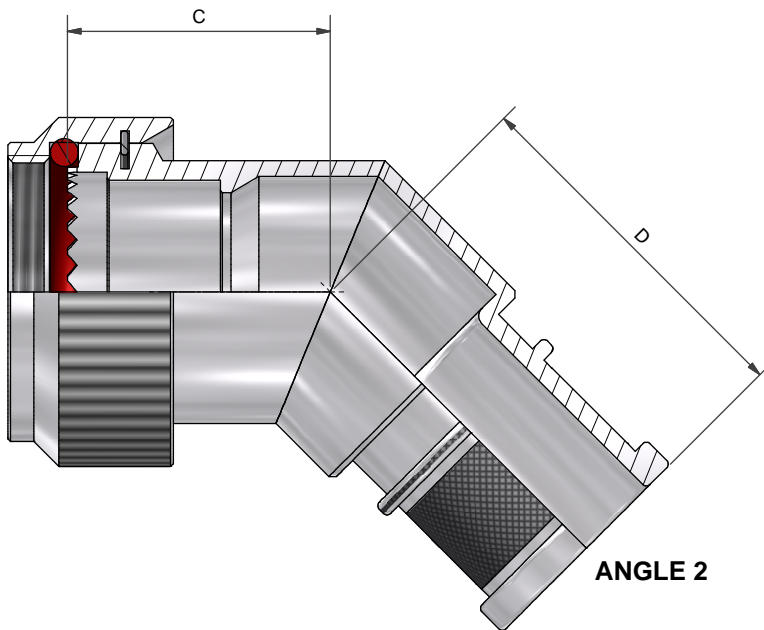
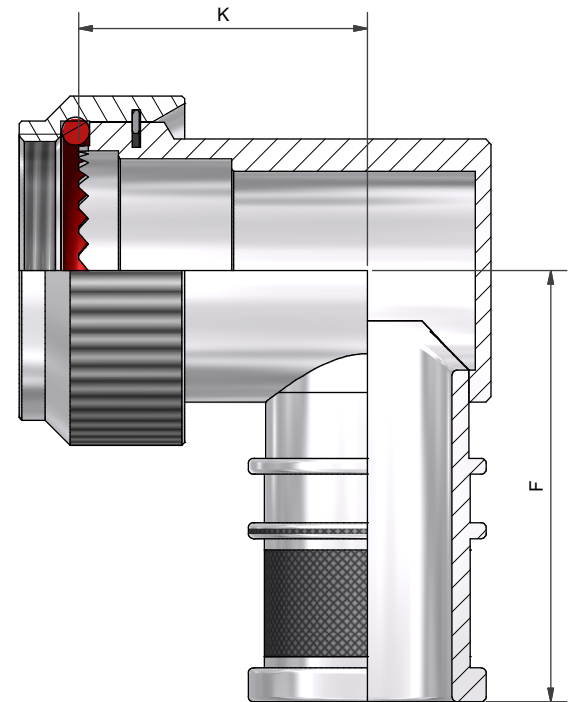


**ANGLE 1**



**ANGLE 2**



**ANGLE 3**

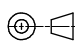

DRAWN K.SHEPPARD SALES APPR A.POLSON DESIGN APPR QUAL APPR ISSUE 1	DATE 25/04/2014 01/11/2011 DCR ---	3RD ANGLE PROJECTION NOT TO SCALE	<b>POLAMCO LTD</b> WESTON LOCK LOWER BRISTOL ROAD BATH BA2 1EP	PAGE 1	UNLESS OTHERWISE SPECIFIED ALL DIMENSIONS IN MILLIMETRES
WEIGHT ---		THIS DRAWING IS COPYRIGHT AND THE PROPERTY OF POLAMCO LTD. IT MUST NOT BE COPIED, USED FOR MANUFACTURE OR OTHERWISE DISCLOSED WITHOUT PRIOR WRITTEN CONSENT OF THE COMPANY.		ASSY USED ON: AMPHENOL AIB 5015 TITLE: SCREEN TERMINATION ADAPTOR FOR BAND OR SPRING CONTACT SALES OFFICE FOR PART NUMBER CONFIRMATION PART NUMBER: <b>51QD SERIES</b>	
GENERAL TOL LINEAR +/-0.1MM ANGULAR +/-1°				MATERIAL NCAGE CODE U5792 DRAWING NO: <b>P21301</b>	

EXAMPLE PART NUMBER: 51QD1-18-10-1-B	
51=	BASIC SERIES
QD=	CONNECTOR INTERFACE (AMPHENOL AIB 5015)
1=	ANGLE (1 - STRAIGHT; 2 - 45°; 3 - 90°)
18=	SHELL SIZE (TABLE 1)
10=	ENTRY SIZE (TABLE 2)
1-B=	MATERIAL AND FINISH (TABLE 3)

SHELL SIZE	A THREAD	B MAX	T	L +/-0,2	C MAX	D MAX	K +/-0,4	F +/-0,5	MAX ENTRY
10	5/8-24 UNEF	20,37	10,50	33,80	15,70	32,90	17,30	34,20	06
12	5/8-24 UNEF	20,37	10,50	32,10	15,70	32,90	17,30	34,20	06
14	3/4-20 UNEF	24,61	13,49	35,80	16,70	33,50	20,00	36,30	08
16	7/8-20 UNEF	28,61	16,40	37,30	24,40	34,00	25,50	38,30	10
16S	7/8-20 UNEF	28,61	16,40	38,40	24,40	34,00	25,50	38,30	10
18	1-20 UNEF	32,67	18,60	38,90	25,10	34,40	27,00	40,35	12
20	1 1/8-18 UNEF	36,99	22,20	39,10	25,60	35,10	28,00	42,50	14
22	1 1/4-18 UNEF	38,59	24,70	39,10	26,40	35,80	29,50	43,30	16
24	1 3/8-18 UNEF	41,77	28,00	42,00	27,60	36,40	31,00	44,90	18
28	1 5/8-18 UNEF	48,45	31,40	48,00	29,30	37,60	35,50	48,25	20
32	1 7/8-16 UN	56,86	38,00	49,30	30,20	38,90	36,20	52,45	24
36	2 1/16-16 UNS	63,20	45,30	54,80	31,70	39,80	39,00	55,60	-
40	2 5/16-16 UNS	68,00	51,30	65,04	36,40	43,50	43,00	58,00	-

ENTRY SIZE	G	H +/-0,25
03	6,00	10,42
04	7,50	11,92
05	9,00	13,42
06	10,50	14,92
07	12,00	16,42
08	13,49	19,89
09	14,69	21,09
10	15,88	22,28
11	17,86	23,51
12	19,05	25,65
13	20,64	27,24
14	22,23	29,03
15	23,81	30,80
16	25,40	32,40
17	26,99	33,99
18	28,58	35,58
19	30,20	37,20
20	31,75	38,75
22	34,92	41,92
24	38,10	45,10
26	41,28	48,28

CODE	MATERIAL / PLATING
1-C	ALUMINIUM / ELECTROLESS NICKEL
1-B	ALUMINIUM / CADMIUM OLIVE DRAB OVER ELECTROLESS NICKEL
1-U	ALUMINIUM / UNPLATED
1-ZB	ALUMINIUM / ZINC COBALT OLIVE DRAB OVER ELECTROLESS NICKEL
1-ZN	ALUMINIUM / ZINC NICKEL BLACK PASSIVATE OVER ELECTROLESS NICKEL
4-J	STAINLESS STEEL / PASSIVATE

DRAWN K.SHEPPARD	DATE 25/04/2014	 3RD ANGLE PROJECTION NOT TO SCALE	 <b>POLAMCO LTD</b>	WESTON LOCK LOWER BRISTOL ROAD BATH BA2 1EP	PAGE 2	UNLESS OTHERWISE SPECIFIED ALL DIMENSIONS IN MILLIMETRES
SALES APPR A.POLSON	DATE 01/11/2011			THIS DRAWING IS COPYRIGHT AND THE PROPERTY OF POLAMCO LTD IT MUST NOT BE COPIED, USED FOR MANUFACTURE OR OTHERWISE DISCLOSED WITHOUT PRIOR WRITTEN CONSENT OF THE COMPANY.	ASSY USED ON: AMPHENOL AIB 5015	
DESIGN APPR		TITLE: SCREEN TERMINATION ADAPTOR FOR BAND OR SPRING			NCAGE CODE U5792	
QUAL APPR		CONTACT SALES OFFICE FOR PART NUMBER CONFIRMATION				
ISSUE 1	DCR ---	PART NUMBER: <b>51QD SERIES</b>		DRAWING NO: P21301		
WEIGHT ---	GENERAL TOL LINEAR +/-0.1MM ANGULAR +/- 1°					