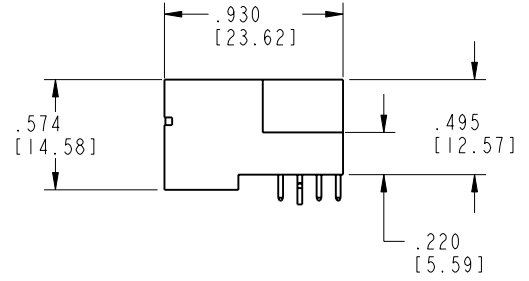
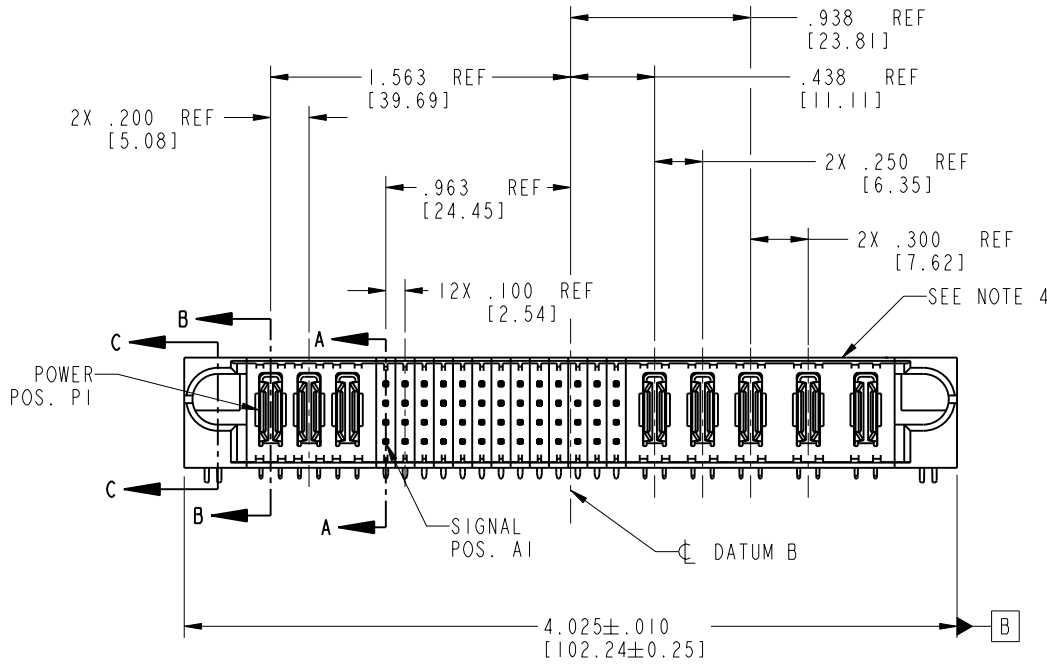
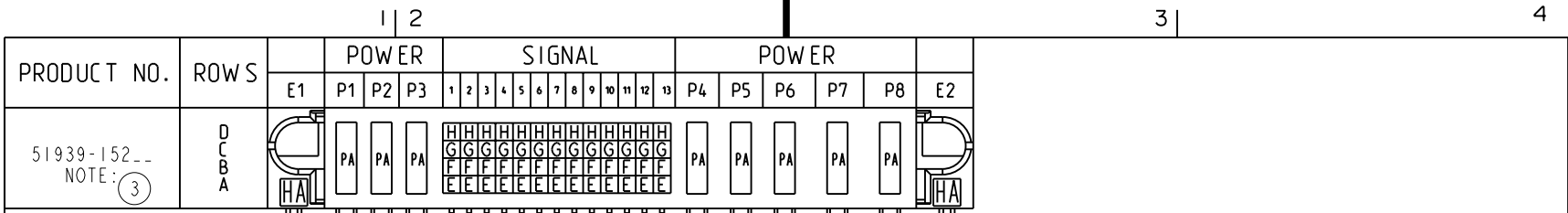


Tous droits strictement réservés. Reproduction ou communication o des liens interdite sous quelque forme que ce soit sans autorisation écrite du propriétaire. Propriété de c FCI. Droits de reproduction FCI.

All rights strictly reserved. Reproduction or issue to third parties in any form whenever is not permitted without written authority from the proprietor. Property of FCI. Copyright FCI.



| CODE | DIM "M" MATING LENGTH | CONTACT TYPE |
|------|-----------------------|--------------|
| H | .220 [5.59] | SIGNAL |
| G | .220 [5.59] | SIGNAL |
| F | .220 [5.59] | SIGNAL |
| E | .220 [5.59] | SIGNAL |
| PA | N/A [N/A] | POWER |
| HA | N/A [N/A] | HOLD-DOWN |

| | | | | | | | | | | | |
|-------------|----------------|------|----------|------------|------------------------|---------------------------------------|--------------------------------------|----------|---|------------------------|--|
| mat'l code | | | | SEE NOTE 2 | | tolerances unless otherwise specified | | CUSTOMER | | www.fciconnect.com | |
| ltr | ecn no. | dr | date | linear | .XX±.01/0.X±0.3 | | COPY | | title 3P + 52S + 2P + 3ACP RIGHT ANGLE SOLDER HEADER | | |
| A | DG05-0004 | LH | 12/22/04 | | .XXX±.005/0.XXX±0.13 | | product family PwrBlade code 213 | | | | |
| B | DG05-0194 | LH | 06/28/05 | angles | .XXX±.0020/0.XXX±0.051 | | size dwg no A 51939-152 | | sheet 1 of 4 | | |
| C | DG06-0013 | RYAN | 01/22/06 | | 0°±2° | | scale 1:1 | | cage code 22526 | | |
| D | DG06-0041 | JMG | 02/09/06 | dr | LH | 12/22/04 | | | | | |
| | | | | engr | LH | 12/22/04 | | | | | |
| | | | | chr | VICTOR LIN 12/22/04 | | | | | | |
| | | | | appd | JOSEPH HSIA 12/22/04 | | | | | | |
| sheet index | revision sheet | D 1 | D 2 | D 3 | D 4 | | | | | | |

FCI

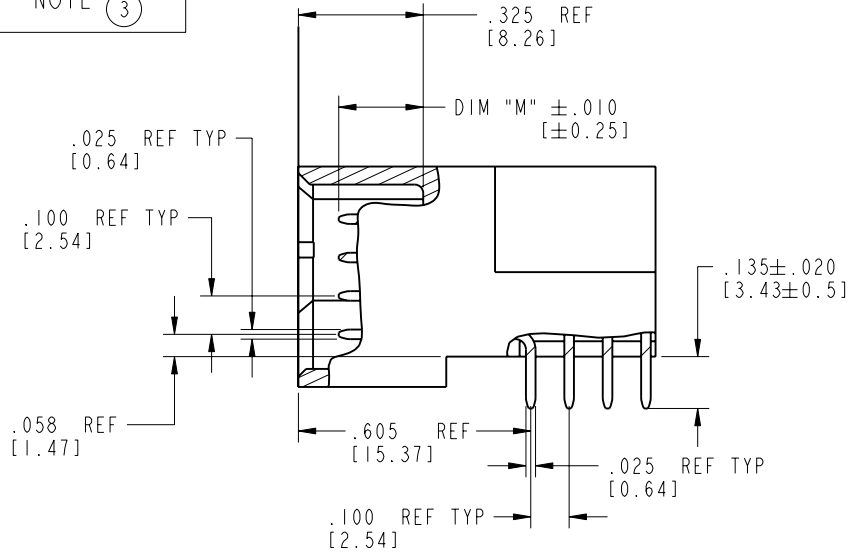
Tous droits strictement réservés. Reproduction ou communication o des liers interdite sous quelque forme que ce soit sans autorisation écrite du propriétaire. Propriete de c FCI. Droits de reproduction FCI.

All rights strictly reserved. Reproduction or issue to third parties in any form, whatever is not permitted without written authority from the proprietor. Property of FCI. Copyright FCI.

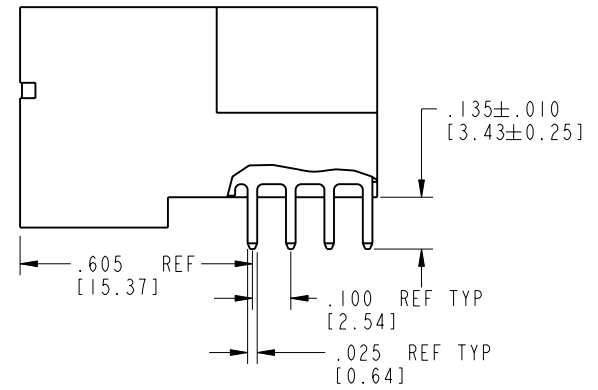


PRODUCT NUMBER

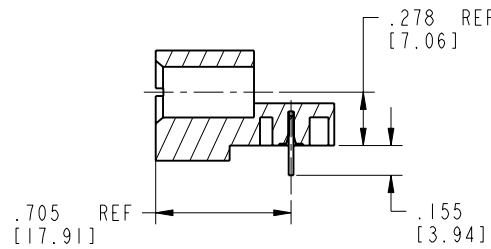
51939-152_
NOTE ③



BROKEN-OUT SECTION A-A
SCALE 2:1



BROKEN-OUT SECTION B-B
SCALE 2:1



SECTION C-C

| | | | | | | | | | | | |
|-------------|----------------|----|------|------------|------------------------|---------------------------------------|-------------|----------|-------------------------|----------------------------|--|
| mat'l code | | | | SEE NOTE 2 | | tolerances unless otherwise specified | | CUSTOMER | | www.fciconnect.com | |
| lfr | ecn no. | dr | date | linear | .XX±.01/0.X±0.3 | | COPY | | projection | title 3P + 52S + 2P + 3ACP | |
| D | | | | | .XXX±.005/0.XX±0.13 | | INCH/MM | | | RIGHT ANGLE SOLDER HEADER | |
| | | | | angles | .XXX±.0020/0.XXX±0.051 | | INCH/MM | | product family PwrBlade | | |
| | | | | | 0° ± 2° | | scale 1:1 | | code 213 | | |
| | | | | dr | LH | 12/22/04 | | | size | | |
| | | | | engr | LH | 12/22/04 | | | dwg no | | |
| | | | | chr | VICTOR LIN 12/22/04 | | | | A 51939-152 | | |
| | | | | appd | JOSEPH HSIA 12/22/04 | | | | sheet 2 of 4 | | |
| sheet index | revision sheet | | | | | | | | | | |

cage code 22526

Pro/E

PDM: Rev:D

STATUS: Released

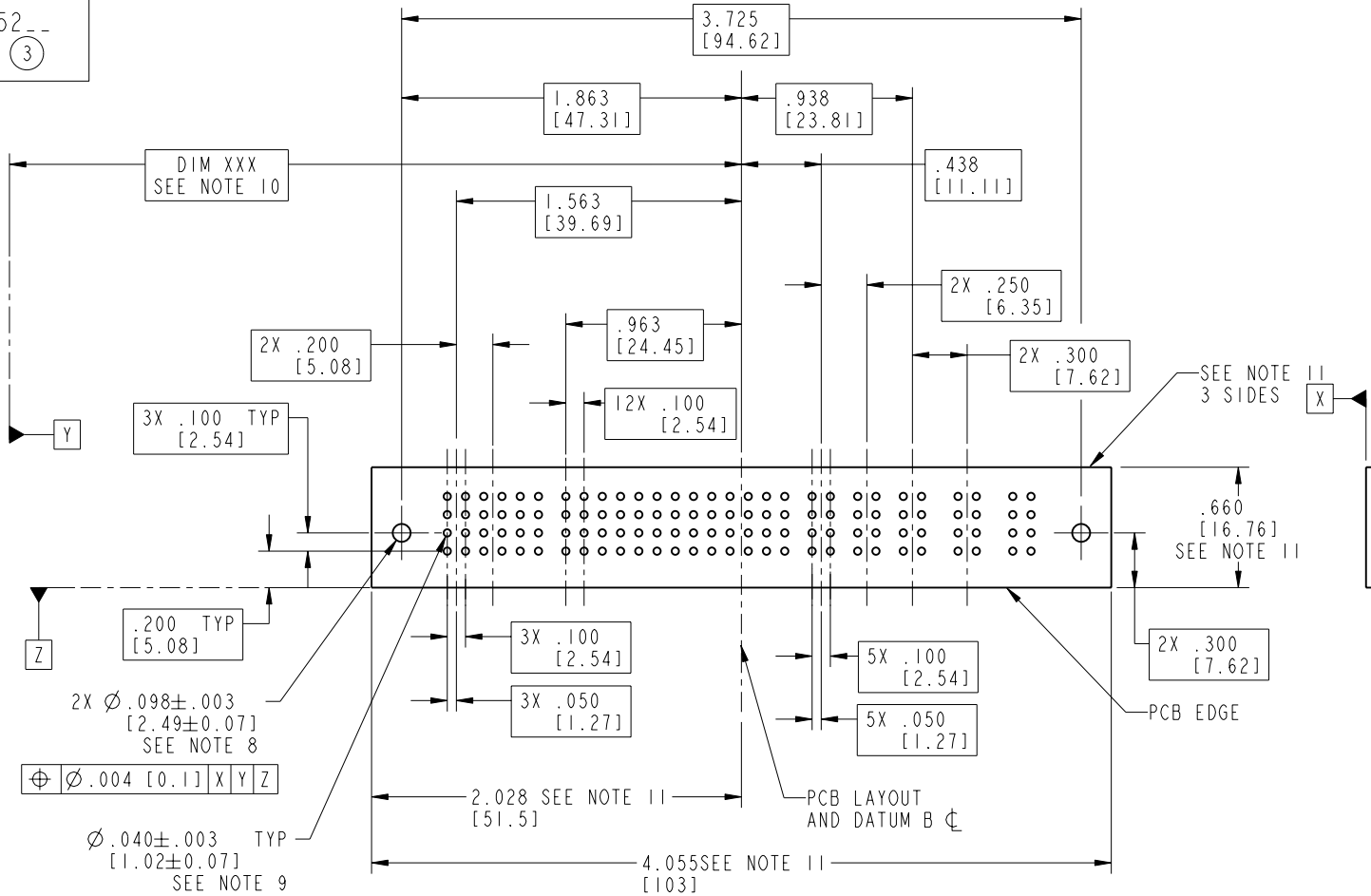
Printed: Dec 20, 2010

Tous droits strictement réservés. Reproduction ou communication o des liers interdite sous quelque forme que ce soit sans autorisation écrite du propriétaire. Propriété de c FCI. Droits de reproduction FCI.



All rights strictly reserved. Reproduction or issue to third parties in any form, whatever is not permitted without written authority from the proprietor. Property of FCI. Copyright FCI.

PRODUCT NUMBER
51939-152
NOTE ③



RECOMMENDED PCB LAYOUT

| | | | | | | | | | | | |
|-------------|----------------|----|------|------------|------------------------|---------------------------------------|---------------------------|----------|----------------------------|------------------------|--|
| mat'l code | | | | SEE NOTE 2 | | tolerances unless otherwise specified | | CUSTOMER | | www.fciconnect.com | |
| lfr | ecn no. | dr | date | linear | .XX±.01/0.X±0.3 | projection | COPY | | title 3P + 52S + 2P + 3ACP | | |
| D | | | | angles | .XXX±.005/0.XX±0.13 | | RIGHT ANGLE SOLDER HEADER | | product family PwrBlade | | |
| | | | | dr | .XXX±.0020/0.XXX±0.051 | INCH/MM | product family PwrBlade | | code 213 | | |
| | | | | engr | 0±? | scale | product family PwrBlade | | sheet 3 of 4 | | |
| | | | | chr | | 1:1 | product family PwrBlade | | size 51939-152 | | |
| | | | | appd | VICTOR LIN 12/22/04 | | product family PwrBlade | | sheet 3 of 4 | | |
| | | | | | JOSEPH HSIA 12/22/04 | | product family PwrBlade | | sheet 3 of 4 | | |
| sheet index | revision sheet | | | | | | product family PwrBlade | | sheet 3 of 4 | | |

cage code 22526

Pro/E

PDM: Rev:D

STATUS: Released

Printed: Dec 20, 2010

Tous droits strictement reserves. Reproduction ou communication o des liers interdite sous quelque forme que ce soit sans autorisation ecrite du proprietaire. Propriete de c FCI. Droits de reproduction FCI.



All rights strictly reserved. Reproduction or issue to third parties in any form, whatever is not permitted without written authority from the proprietor. Property of FCI. Copyright FCI.

PRODUCT NUMBER

51939-152__
NOTE (3)

NOTES:

1. DIMENSIONS AND TOLERANCES ARE IN ACCORDANCE WITH ASME Y14.5M, 1994 UNLESS OTHERWISE SPECIFIED.

CONNECTOR NOTES:

- 2. HOUSING MATERIAL: UL 94 V-0 GLASS FILLED
HIGH-TEMP THERMOPLASTIC
POWER CONTACT MATERIAL: COPPER ALLOY
SIGNAL PIN MATERIAL: COPPER ALLOY
- 3. 51939-152;51939-152LF;51939-152GLF PLATING SPEC. SEE PRINT:10064183
- 4. MANUFACTURER'S NAME, P/N, AND DATE CODE TO APPEAR ON THIS SURFACE.
- 5. PRODUCT SPECIFICATION GS-12-149.
APPLICATION SPECIFICATION BUS-20-067.
- 6. PACKAGED IN TRAYS.

PCB NOTES:

- 7. ALL HOLE DIAMETERS ARE FINISHED HOLE SIZE.
- 8. MOUNTING HOLES, WHERE APPLICABLE, ARE UNPLATED.
- 9. $\varnothing .0453 \pm .0010$ [1.151 ± 0.025] DRILLED HOLES PLATED WITH
.0003 [0.008] MIN SnPb OVER .001 [0.03]
TO .003 [0.08] Cu PLATING TO ACHIEVE
 $\varnothing .040 \pm .003$ [$1.02 \pm .07$] HOLE.
- 10. "DIM XXX" TO BE DETERMINED BY THE CUSTOMER.
- 11. CONNECTOR KEEP-OUT ZONE.

| | | | | | | | | | |
|-------------|----------------|------------|------|---------------------------------------|------------------------|-----------|--|---|--|
| mat'l code | | SEE NOTE 2 | | tolerances unless otherwise specified | | CUSTOMER | | www.fciconnect.com | |
| lfr | ecn no. | dr | date | linear | .XX±.01/0.X±0.3 | COPY | | | |
| D | | | | projection | .XXX±.005/0.XX±0.13 | | | title 3P + 52S + 2P + 3ACP RIGHT ANGLE SOLDER HEADER | |
| | | | | angles | .XXX±.0020/0.XXX±0.051 | | | product family PwrBlade code 213 | |
| | | | | dr | LH 12/22/04 | INCH/MM | | size 4 of 4 | |
| | | | | enrg | LH 12/22/04 | scale 1:1 | | sheet 4 of 4 | |
| | | | | chr | VICTOR LIN 12/22/04 | | | A 51939-152 | |
| | | | | appd | JOSEPH HSIA 12/22/04 | | | | |
| sheet index | revision sheet | | | | | | | | |

coge code 22526

Pro/E

PDM: Rev:D

STATUS: Released

Printed: Dec 20, 2010