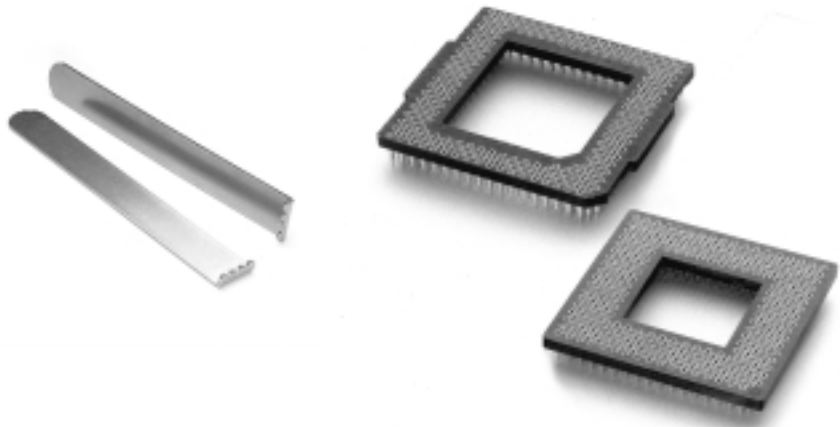
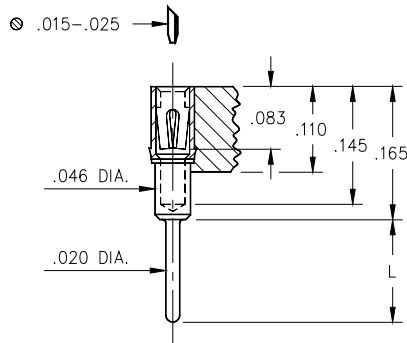


- Series 518 Interstitial PGA sockets are available with and without tabs for clip-on heatsinks.
- Mill-Max #43, "Ultra-Lite" contact standard, see page 209 for details.
- Hi-Temp PCT polyester insulator material suitable for all forms of soldering.
- A pry-bar tool is available for extraction (part # 828-01-010).



SOLDER TAIL SOCKET PIN (Without Heatsink Tabs)

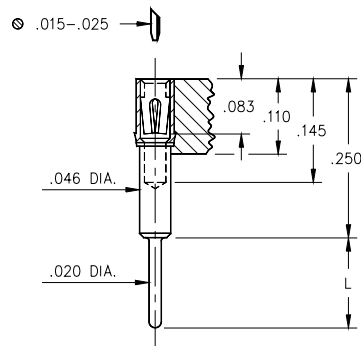


Pin Type

02	For L = .125"
03	For L = .145"
08	For L = .100"

PIN 08 IS USED EXCLUSIVELY IN CERTAIN PATTERNS. SEE CHART "A".

SOLDER TAIL SOCKET PIN (With Heatsink Tabs)



Pin Type

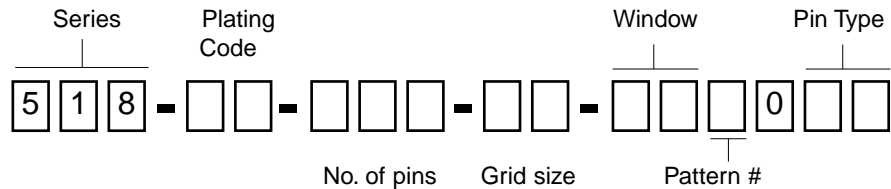
04	For L = .080"
06	For L = .115"

PIN 08 IS USED EXCLUSIVELY IN CERTAIN PATTERNS. SEE CHART "A".

Ordering Information

Interstitial configurations are a .100" grid pattern overlapped with a second, staggered .100" grid pattern thus doubling the package density of the socket.

1. Locate interstitial footprint pattern from pages 107 to 111, the middle 8 digits of the part number will be located under the pattern.
2. Specify 2-digit plating code from chart at bottom of page.
3. Determine the last 2 digits of part number from the pin type at left. For sockets with heatsink tabs, see chart "A" below for pin options.



Determined from footprint pattern pages 107 to 111

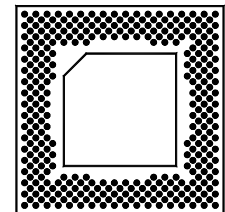
CHART A

FOOTPRINT PATTERN	HEATSINK MFG.	PIN TYPE	NOTE**
296-19-126	THERMALLOY	04, 06	Designed to work with: THERMALLOY WAKEFIELD AAVID IERC heatsinks & clips.
296-19-127	THERMALLOY	04, 06	
320-19-126	THERMALLOY	04, 06	
296-19-128	WAKEFIELD	04, 06	
296-69-129008	SEE NOTE**	08 ONLY	
320-69-129008	SEE NOTE**	08 ONLY	
387-01-016508	SEE NOTE**	08 ONLY	

EXAMPLE OF COMPLETE PART NUMBER:

518-93-325-18-105003

This is a 325 pin interstitial (11x11 grid) insulator with a 1.00" square window and fitted with standard solder tail receptacles. Pin sleeve is tin plated, inner contacts are Mill-Max #43 and are plated 30µ" gold.



SPECIFY PLATING CODE XX=	13		93	
Sleeve (Pin)		10µ" Au	200µ" Sn/Pb	
Contact (Clip)		30µ" Au	30µ" Au	