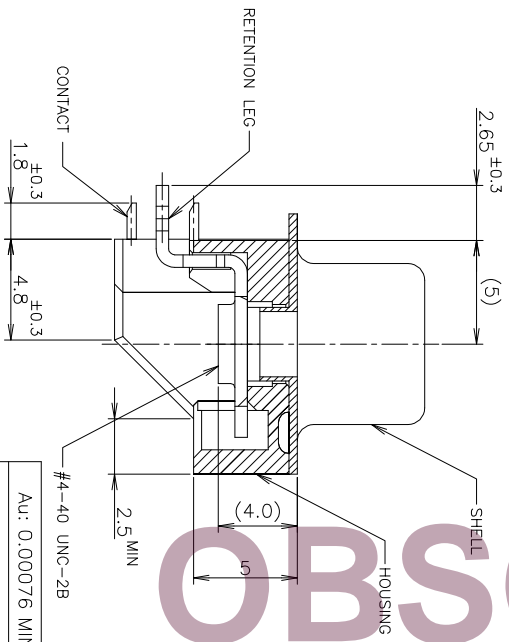
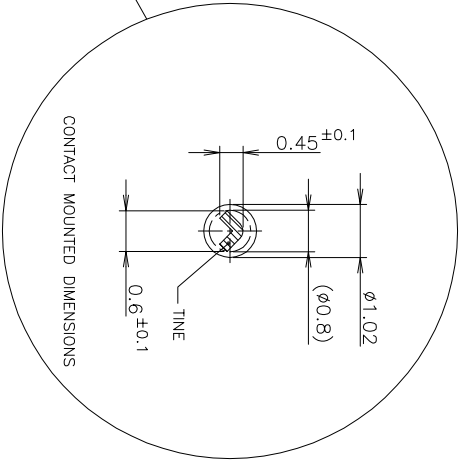
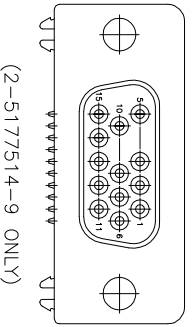
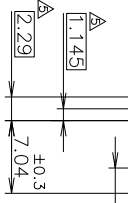
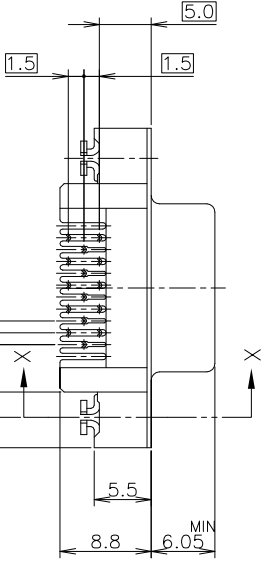
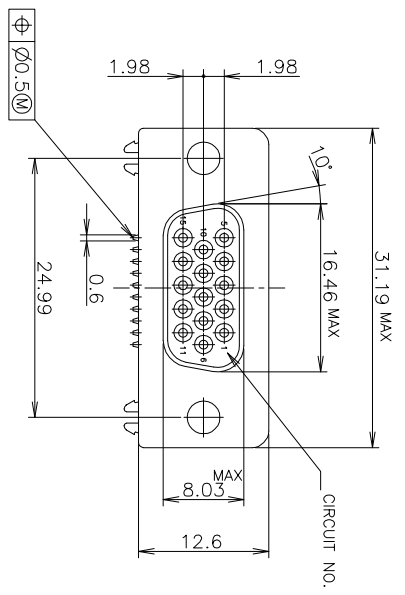
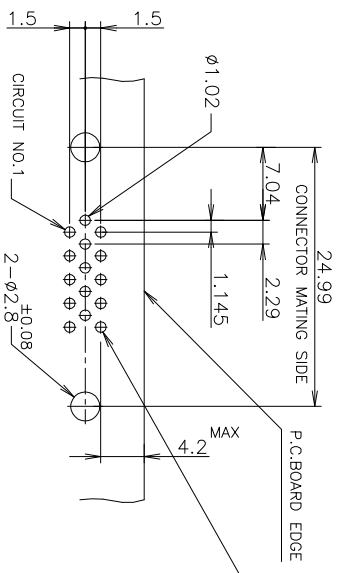


| REV | DATE | BY | DESCRIPTION |
|-----|------|----|--------------------------|
| 1 | | | RELEASED (ECR-05-001155) |

| REV | DATE | BY | DESCRIPTION |
|-----|------|----|--------------------------|
| 1 | | | RELEASED (ECR-05-001155) |



| FINISH | QTY | REF |
|------------------|-----|-----------|
| Au: 0.00076 MIN. | 2- | -9 |
| Au: 0.00038 MIN. | 2- | -6 |
| Au: 0.00076 MIN. | | -9 |
| Au: 0.00038 MIN. | | 5177514-6 |



P. C. BOARD MOUNTING DIMENSIONS (±0.1)
 THK=0.8~1.2

- THESE PRODUCTS CONFORM AMP SPEC 108-5401.
- MATERIAL HOUSING: THERMOPLASTIC SHELL: CARBON STEEL CONTACT: COPPER ALLOY RETENTION LEG: COPPER ALLOY FINISH CONTACT: GOLD PL. SHELL: TIN PL. RETENTION LEG: TIN PL.
- SCREWLOCK OR SCREW MUST BE ASSEMBLED BEFORE PLUG CONNECTOR MATING. (SCREW ON TORQUE: 5kg-cm(MAX))
- P. C. BOARD MOUNTING DIMENSION CONFORM MIL SPEC. (MS-18273)

THIS DRAWING IS A CONTROLLED DOCUMENT.

| DIMENSIONS: | TOLERANCES UNLESS OTHERWISE SPECIFIED: |
|-------------|--|
| mm | ± |
| 0 PL/C | ± |
| 1 PL/C | ± |
| 2 PL/C | ± |
| 3 PL/C | ± |
| 4 PL/C | ± |
| ANGLES | ± |

| DMN | 5APR95 |
|------------------|--------|
| LEO ZHOU | 5APR95 |
| CHK STEVEN YAO | 5APR95 |
| APP'D T. ENOMOTO | 5APR95 |
| PRODUCT SPEC | |
| APPLICATION SPEC | |
| WEIGHT | |

| DMN | 5APR95 |
|---|------------------|
| Leo ZHOU | 5APR95 |
| NAME | TYCO Electronics |
| NAME | Kawasaki, Japan |
| RECEPTACLE ASSY RIGHT ANGLE SIZE 1, 15P | |
| LOW PROFILE STD-D P.C.B t=0.8~1.2 IR REFLOW | |
| AMPLIMITE III-J ULTRA SLIM HD-22 | |
| SIZE | A3 |
| DRAWING NO | 00779 |
| SCALE | NTS |
| SHEET | 1 OF 1 |
| REV | A |

OBSOLETE
 NOT the LATEST
 REVISION