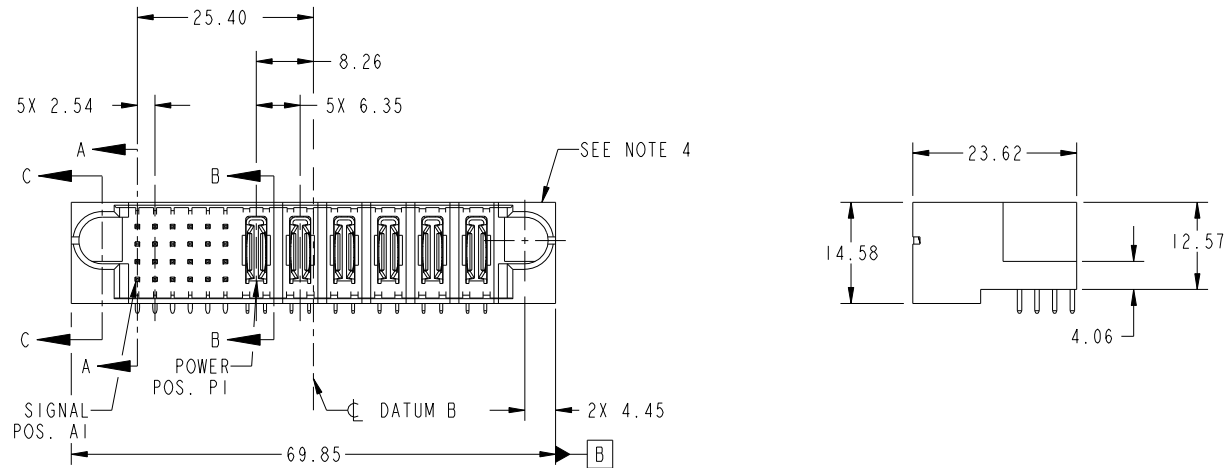


Tous droits strictement reserves. Reproduction ou communication a des tiers interdite sous quelque forme que ce soit sans autorisation écrite du propriétaire. Propriete de c FCI. Droits de reproduction FCI.



All rights strictly reserved. Reproduction or issue to third parties in any form whatever is not permitted without written authority from the proprietor. Property of FCI. Copyright FCI.

PRODUCT NO.	ROWS	SIGNAL						POWER							
		E1	1	2	3	4	5	6	P1	P2	P3	P4	P5	P6	E2
51731-057... NOTE 3	D C B A	U	T	S	R	PA	PA	PA	PA	PA	PA	PA	PA	PA	



CODE	DIM "M" MATING LENGTH	CONTACT TYPE
U	[6.86]	SIGNAL
T	[6.86]	SIGNAL
S	[6.86]	SIGNAL
R	[6.86]	SIGNAL
PA	[N/A]	POWER
F	[5.59]	SIGNAL

mat'l code				SEE NOTE		tolerances unless otherwise specified		CUSTOMER	
ltr	ecn no.	dr	date	linear	0.X ±0.5	projection	FCI www.fciconnect.com		
A	DG09-0137	WD	04/28/09	angles	0.XX ±0.25	← MIM →	title 24S + 6P RIGHT ANGLE SOLDER HEADER		
					0.XXX ±0.1	scale 1:1	product family	PwrBlade	code 213
				dr	0° ±2°		size	dwg no	sheet
				enr	Warren Du 04/21/09		A	51731-057	1 of 4
				chr	Warren Du 04/21/09				
				appd	PM ZHENG 04/21/09				
					JOSEPH HSIA 04/21/09				
sheet index	revision sheet	A	A	A	A				
		1	2	3	4				

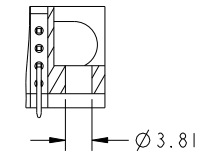
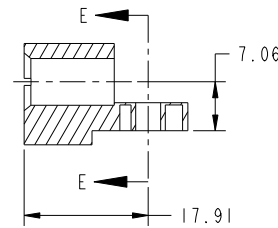
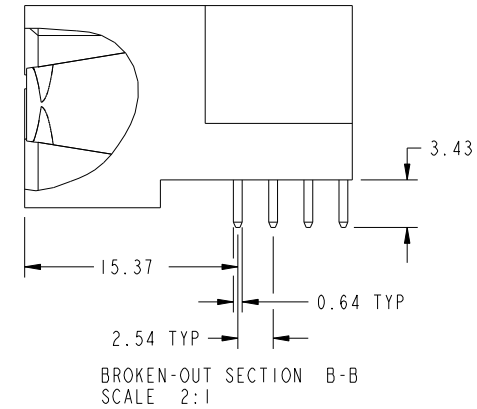
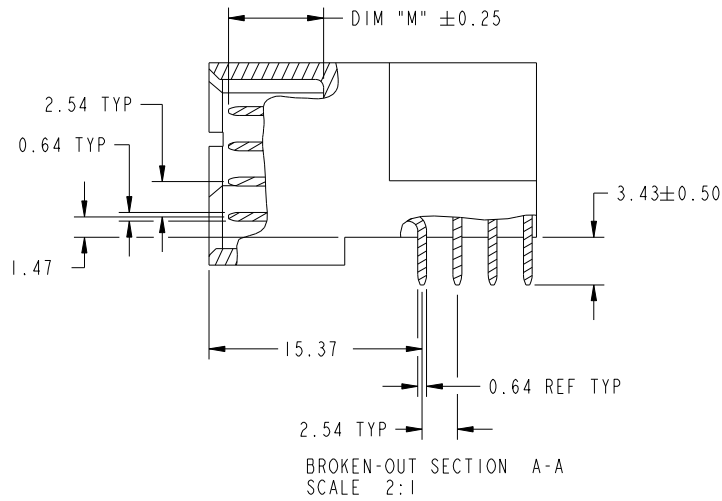
cage code 22526

Tous droits strictement reserves. Reproduction ou communication a des tiers interdite sous quelque forme que ce soit sans autorisation ecrite du proprietaire. Propriete de c FCI. Droits de reproduction FCI.

All rights strictly reserved. Reproduction or issue to third parties in any form whatever is not permitted without written authority from the proprietor. Property of FCI. Copyright FCI.



PRODUCT NUMBER
51731-057__
NOTE: 3



mat'l code		SEE NOTE		tolerances unless otherwise specified		CUSTOMER		FCI	
ltr	ecn no.	dr	date	linear	0.X ±0.5	COPY		www.ficconnect.com	
A				linear	0.XX ±0.25	projection		title 24S + 6P RIGHT ANGLE SOLDER HEADER	
				angles	0.XXX ±0.1			product family PwrBlade code 213	
				dr	Warren Du 04/21/09	MIM		size dwg no 213	
				engr	Warren Du 04/21/09			sheet 2 of 4	
				chr	PM ZHENG 04/21/09	scale 1:1		A 51731-057	
				appd	JOSEPH HSIA 04/21/09				
sheet index	revision sheet								

Pro/E

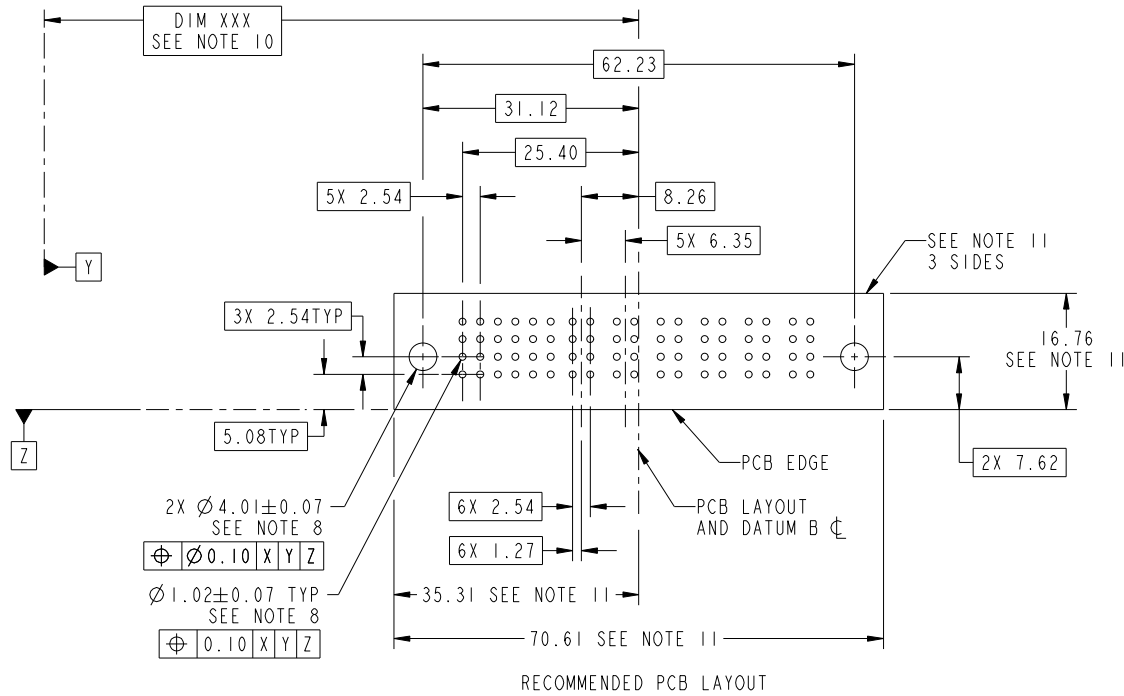
cage code 22526

Tous droits strictement reserves. Reproduction ou communication a des tiers interdite sous quelque forme que ce soit sans autorisation ecrite du proprietaire. Propriete de c FCI. Droits de reproduction FCI.



All rights strictly reserved. Reproduction or issue to third parties in any form whatever is not permitted without written authority from the proprietor. Property of FCI. Copyright FCI.

PRODUCT NUMBER
51731-057__
NOTE: 3



2X $\varnothing 4.01 \pm 0.07$
SEE NOTE 8
 $\varnothing 0.10$ X|Y|Z
 $\varnothing 1.02 \pm 0.07$ TYP
SEE NOTE 8
 $\varnothing 0.10$ X|Y|Z

mat'l code		SEE NOTE		tolerances unless otherwise specified		CUSTOMER		FCI	
ltr	ecn no.	dr	date	linear	0.X ± 0.5	COPY		www.fciconnect.com	
A					0.XX ± 0.25	projection		title 24S + 6P RIGHT ANGLE SOLDER HEADER	
				angles	0.XXX ± 0.1	MIM		product family PwrBlade code 213	
		dr	Warren Du	04/21/09	0° ± 2°	← MIM →		size dwg no 213	
		enr	Warren Du	04/21/09		scale 1:1		sheet 3 of 4	
		chr	PM ZHENG	04/21/09				A 51731-057	
		appd	JOSEPH HSIA	04/21/09					
sheet index	revision sheet								

cage code 22526

Pro/E

Tous droits strictement reserves. Reproduction ou communication a des tiers interdite sous quelque forme que ce soit sans autorisation écrite du propriétaire. Propriete de c FCI. Droits de reproduction FCI.



All rights strictly reserved. Reproduction or issue to third parties in any form whatever is not permitted without written authority from the proprietor. Property of FCI. Copyright FCI.

PRODUCT NUMBER
51731-057_
NOTE: 3

NOTES:

1. DIMENSIONS AND TOLERANCES ARE IN ACCORDANCE WITH ASME Y14.5M, 1994 UNLESS OTHERWISE SPECIFIED.

CONNECTOR NOTES:

- 2. HOUSING MATERIAL: UL 94 V-0 GLASS FILLED HIGH-TEMP THERMOPLASTIC
POWER CONTACT MATERIAL: COPPER ALLOY
SIGNAL PIN MATERIAL: COPPER ALLOY
- 3. SEE ITEM 1 & 2 IN PRINT 10064183 FOR PLATING SPEC OF 51731-057 AND 51731-057LF RESPECTIVELY.
- 4. MANUFACTURER'S NAME, P/N, AND DATE CODE TO APPEAR ON THIS SURFACE.
- 5. PRODUCT SPECIFICATION GS-12-149.
APPLICATION SPECIFICATION BUS-20-067.
- 6. PACKAGED IN TRAYS.

PCB NOTES:

- 7. ALL HOLE DIAMETERS ARE FINISHED HOLE SIZE.
- 8. MOUNTING HOLES, WHERE APPLICABLE, ARE UNPLATED.
- 9. $\varnothing 1.151 \pm 0.025$ DRILLED HOLES PLATED WITH
0.008 MIN SnPb OR Sn OVER 0.03
TO 0.08 Cu PLATING TO ACHIEVE
 $\varnothing 1.02 \pm .07$ HOLE.
- 10. "DIM XXX" TO BE DETERMINED BY THE CUSTOMER.
- 11. CONNECTOR KEEP-OUT ZONE.

mat'l code				SEE NOTE		tolerances unless otherwise specified		CUSTOMER		 www.fciconnect.com	
ltr	ecn no.	dr	date	linear	0.X ± 0.5		COPY		 title 24S + 6P RIGHT ANGLE SOLDER HEADER	product family PwrBlade code 213	
A					0.XX ± 0.25		projection			size dwg no 51731-057 sheet 4 of 4	
					0.XXX ± 0.1		 scale 1:1				
				angles	0° ± 2°						
				dr	Warren Du	04/21/09					
				enr	Warren Du	04/21/09					
				chr	PM ZHENG	04/21/09					
				appd	JOSEPH HSIA	04/21/09					
sheet index	revision sheet										

cage code 22526

Pro/E