
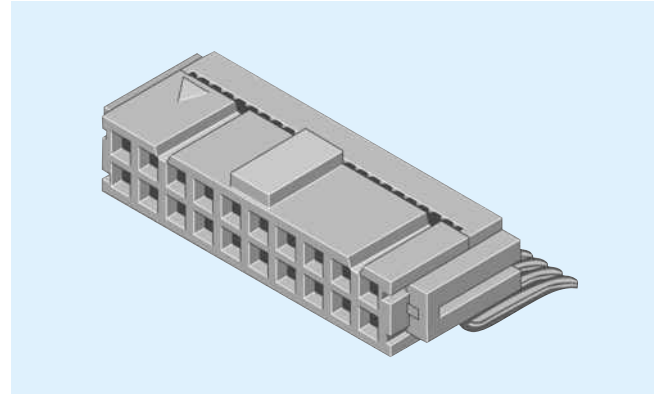


**IDC sockets, Series 517
with single-U IDC contact
Double-action spring contact**

Features

- Pluggable on all pin headers in cross-section 0.64 × 0.64 mm
- Plug compatible with all leading manufacturers
- With and without strain relief
- 10 to 64 contacts
- With keying pin
- In accordance with DIN EN 60603-13 (DIN 41651)
- Available with spring clip locking
-  approved



Technical data

Electrical specification

Contact load: ≤ 1 A at wire cross-section
 0.08 mm² (AWG 28)
 ≤ 1.5 A at wire cross-section
 0.14 mm² (AWG 26)

Test voltage: 1,000 V eff.

Mechanical specification

Operating temperature: -55°C to +125 °C

Humidity level: 93% rel. humidity
 in accordance with
 DIN EN 60603-13

Material and surface plating

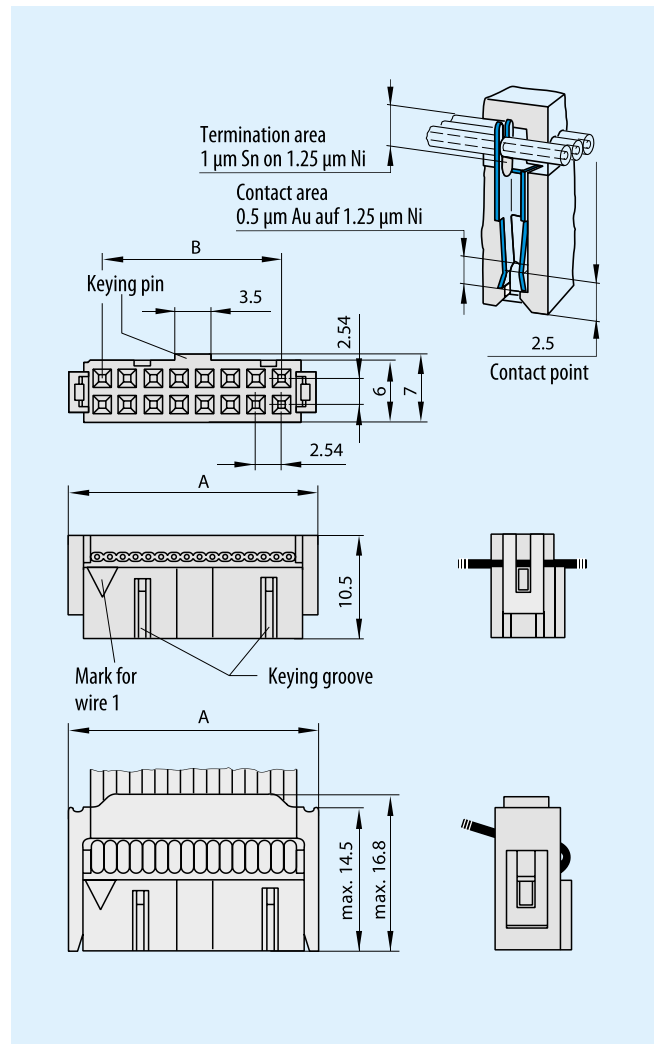
Contact surface

 Mating area: 0.5 µm Au on 1.25 µm Ni/
 MIL-G-45 204 Class 00

 Termination area: 1.0 µm Sn on 1.25 µm Ni

Insulator material: PBT grey, fibre-glass reinforced
 Combustibility according to
 UL94 V-0

Contact material: Copper alloy



IDC sockets, Series 517 with single-U IDC contact

Double-action spring contact

Order information and dimensional table (All dimensions are in mm)

Number of contacts	Part number ¹⁾		Dimension A	Dimension B
	Without strain relief	With strain relief		
10	517.075.003.010.010	517.076.003.010.010	17.3	10.16
14	517.075.003.014.010	517.076.003.014.010	22.4	15.24
16	517.075.003.016.010	517.076.003.016.010	24.9	17.78
20	517.075.003.020.010	517.076.003.020.010	30.0	22.86
26	517.075.003.026.010	517.076.003.026.010	37.6	30.48
34	517.075.003.034.010	517.076.003.034.010	47.8	40.64
40	517.075.003.040.010	517.076.003.040.010	55.4	48.26
50	517.075.003.050.010	517.076.003.050.010	68.1	60.96
60	517.075.003.060.010	517.076.003.060.010	80.8	73.66
64	517.075.003.064.010	517.076.003.064.010	85.8	78.74

¹⁾ For _ please enter the required surface plating:

003 = 0.5 µm Au on Ni (standard)

009 = Flash-gold-plated (upon request)

035 = 0.75 µm Au on Ni (upon request)

Number codes, see page 5.