

5161501-8 ✓ ACTIVE

MINI-MATCH

TE Internal #: 5161501-8

PCB Mount Header, Vertical, Board-to-Board, 8 Position, 5mm [.196in] Centerline, Unshrouded, Tin, Printed Circuit Board

[View on TE.com >](#)



Connectors > PCB Connectors > Board-to-Board Connectors > Board-to-Board Headers & Receptacles



PCB Connector Assembly Type: **PCB Mount Header**

PCB Mount Orientation: **Vertical**

Connector System: **Board-to-Board**

Number of Positions: **8**

Centerline (Pitch): **5 mm [.196 in]**

Features

Product Type Features

PCB Connector Assembly Type	PCB Mount Header
Connector System	Board-to-Board
Header Type	Unshrouded
Sealable	No
Connector & Contact Terminates To	Printed Circuit Board

Configuration Features

Number of Rows	1
Number of Columns	8
PCB Mount Orientation	Vertical
Number of Positions	8
Board-to-Board Configuration	Right Angle

Contact Features

Contact Layout	Inline
Contact Base Material	Phosphor Bronze
Contact Mating Area Plating Material	Tin
Contact Mating Area Plating Material Thickness	3.04 μm [120 μin]
Contact Type	Tab
Contact Current Rating (Max)	7 A

Termination Features



Termination Post & Tail Length	3.2 mm[.125 in]
Termination Method to Printed Circuit Board	Through Hole - Solder

Mechanical Attachment

Mating Alignment	Without
PCB Mount Retention	Without
PCB Mount Alignment	Without
Connector Mounting Type	Board Mount

Housing Features

Centerline (Pitch)	5 mm[.196 in]
Housing Color	Green
Housing Material	PBT GF20

Dimensions

Connector Length	37.5 mm[1.476 in]
Connector Height	5.9 mm[.232 in]
Connector Width	6.3 mm[.248 in]
PCB Thickness (Recommended)	1.6 mm[.06 in]

Usage Conditions

Operating Temperature Range	-40 – 85 °C, -40 – 85 °C[-40 – 185 °F][–40 – 185 °F]
-----------------------------	--

Operation/Application

Circuit Application	Power & Signal
---------------------	----------------

Industry Standards

Approved Standards	UL
UL Flammability Rating	UL 94V-0
Agency/Standard	UL
UL Rating	Recognized

Packaging Features

Packaging Quantity	1000
Packaging Method	Box

Product Compliance

[For compliance documentation, visit the product page on TE.com>](#)



EU RoHS Directive 2011/65/EU	Compliant
EU ELV Directive 2000/53/EC	Compliant
China RoHS 2 Directive MIIT Order No 32, 2016	No Restricted Materials Above Threshold
EU REACH Regulation (EC) No. 1907/2006	Current ECHA Candidate List: JAN 2020 (205) Candidate List Declared Against: JAN 2018 (181) Does not contain REACH SVHC
EU REACH Regulation (EC) No. 1907/2006	Current ECHA Candidate List: JAN 2020 (205) Candidate List Declared Against: JAN 2018 (181)
Halogen Content	Not Low Halogen - contains Br or Cl > 900 ppm.
Solder Process Capability	Wave solder capable to 240°C

Product Compliance Disclaimer

This information is provided based on reasonable inquiry of our suppliers and represents our current actual knowledge based on the information they provided. This information is subject to change. The part numbers that TE has identified as EU RoHS compliant have a maximum concentration of 0.1% by weight in homogenous materials for lead, hexavalent chromium, mercury, PBB, PBDE, DBP, BBP, DEHP, DIBP, and 0.01% for cadmium, or qualify for an exemption to these limits as defined in the Annexes of Directive 2011/65/EU (RoHS2). Finished electrical and electronic equipment products will be CE marked as required by Directive 2011/65/EU. Components may not be CE marked. Additionally, the part numbers that TE has identified as EU ELV compliant have a maximum concentration of 0.1% by weight in homogenous materials for lead, hexavalent chromium, and mercury, and 0.01% for cadmium, or qualify for an exemption to these limits as defined in the Annexes of Directive 2000/53/EC (ELV). Regarding the REACH Regulations, TE's information on SVHC in articles for this part number is still based on the European Chemical Agency (ECHA) 'Guidance on requirements for substances in articles' (Version: 2, April 2011), applying the 0.1% weight on weight concentration threshold at the finished product level. TE is aware of the European Court of Justice ruling of September 10th, 2015 also known as O5A (Once An Article Always An Article) stating that, in case of 'complex object', the threshold for a SVHC must be applied to both the product as a whole and simultaneously to each of the articles forming part of its composition. TE has evaluated this ruling based on the new ECHA "Guidance on requirements for substances in articles" (June 2017, version 4.0) and will be updating its statements accordingly.

Customers Also Bought




TE Model / Part #2-1415546-9
RM627012



TE Model / Part #150645-2
FASTON 250 PIGGY-BACK 18-14
NICKELSILVER



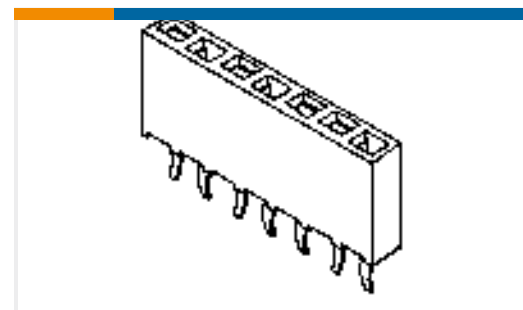
TE Model / Part #1-5164854-2
12pos.MINI-MATCH FBTB, 5mm pitch



TE Model / Part #1-5164856-2
12 pos MINI-MATCH MALE ASSy,
5mm pitch



TE Model / Part #164713-9
9P.MINI-MATCH ASSY



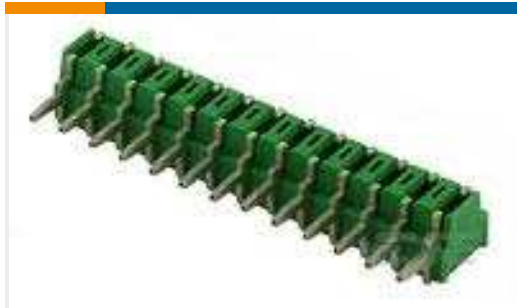
TE Model / Part #215298-7
7P HV100 REC CON. TE, 7.0MM,TIN



TE Model / Part #3-103634-4
12 MTE HDR SRR LATCH .100CL



TE Model / Part #3-284932-6
DUOPLUG MKI STD,6 POS, KEYED 4



TE Model / Part #5164854-8
08pos.MINI-MATCH FBTB, 5mm pitch



TE Model / Part #925681-1
PCB SOCKET TPBR LP

Documents

Product Drawings

08P.MINI-MATCH MALE

English

CAD Files

Customer View Model

[ENG_CVM_5161501-8_A.3d_igs.zip](#)

English

Customer View Model

[ENG_CVM_5161501-8_A.3d_stp.zip](#)

English

Customer View Model

[ENG_CVM_5161501-8_A.2d_dxf.zip](#)

English

3D PDF

English

By downloading the CAD file I accept and agree to the [Terms and Conditions](#) of use.

Product Specifications

Product Specification

English

Mini Match Connection System

English

Product Specification

Instruction Sheets

Instruction Sheet (non U.S.)

5161501-8

PCB Mount Header, Vertical, Board-to-Board, 8 Position, 5mm [.196in] Centerline,
Unshrouded, Tin, Printed Circuit Board



German