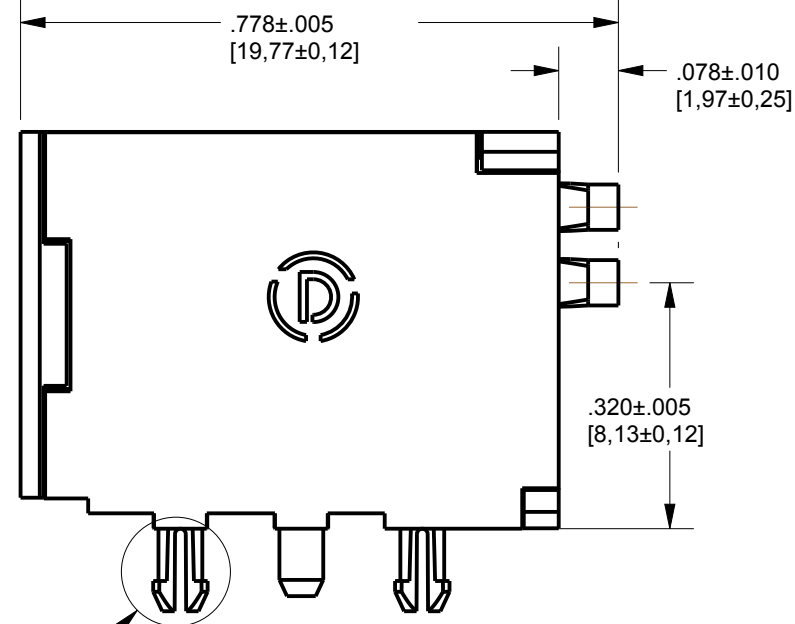


RoHS COMPLIANT 515-1230F LIGHT PIPE ASSEMBLY  
 Part Numbers with the "F" suffix ending are RoHS Compliant. Packaging is marked with "RoHS Compliant" label or equivalent markings.

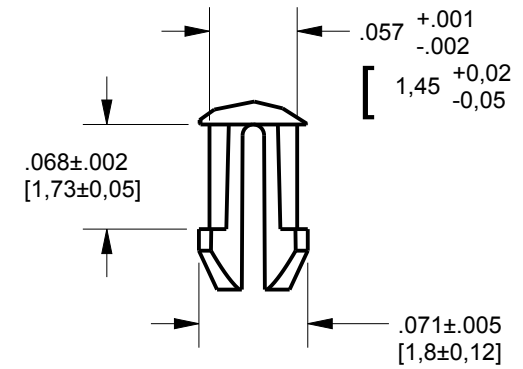
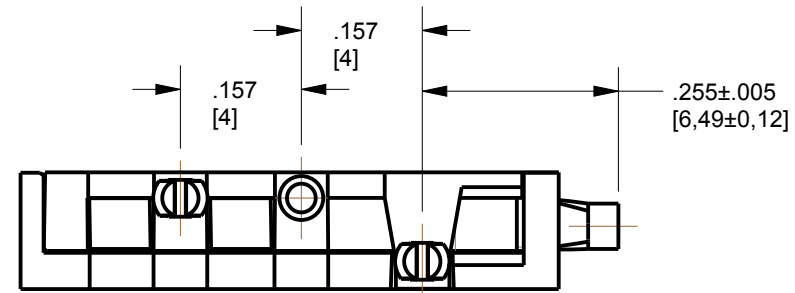
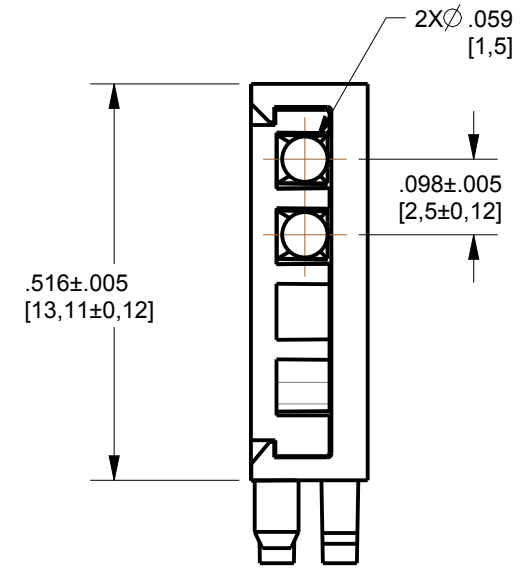
REV	ECN NO	REVISIONS	DRN	CKD	APP	DATE
A	—	NEW RELEASE	LD	—		

.152±.005  
[3,85±0,12]

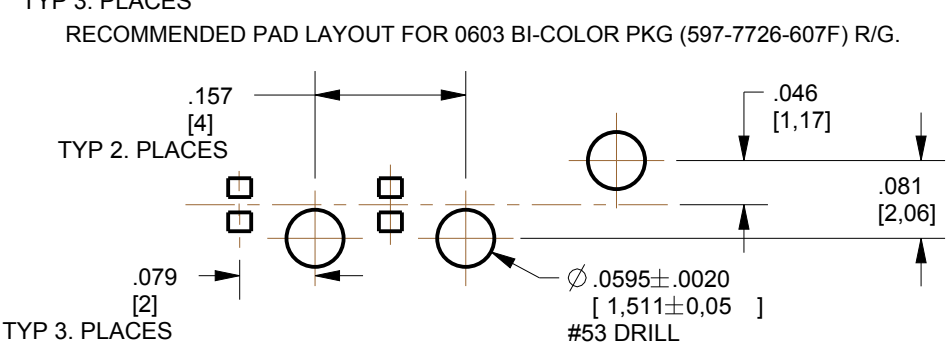
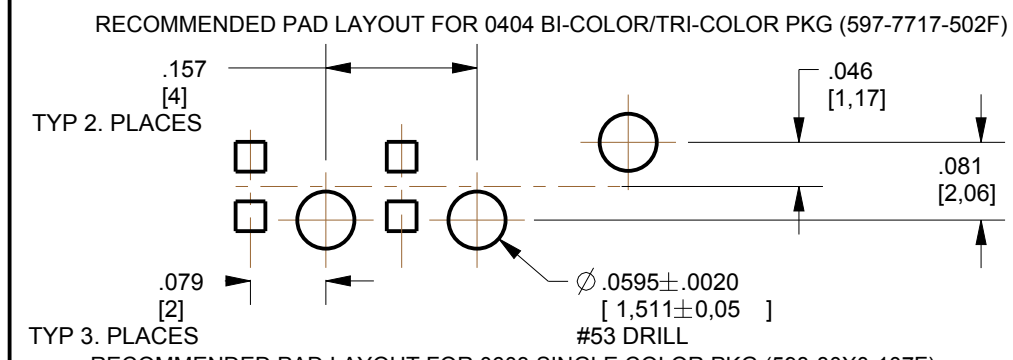
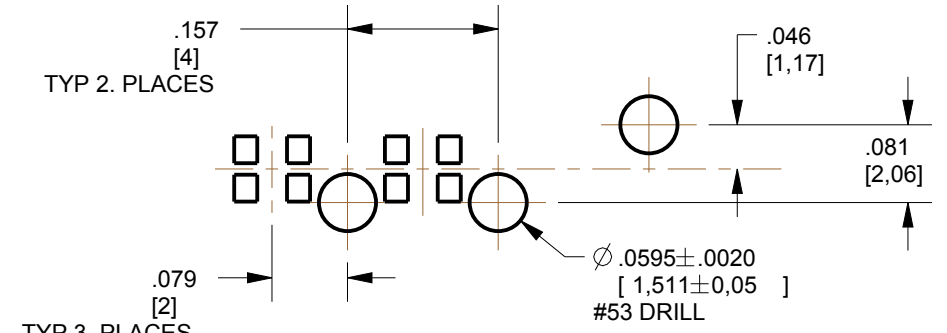
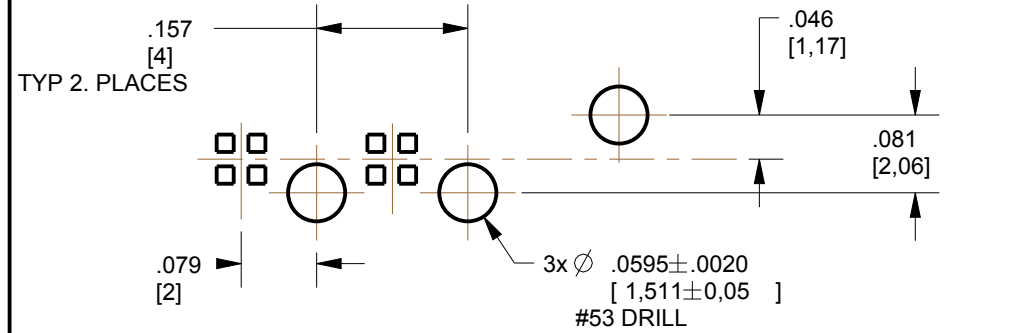
.108±.005  
[2,74±0,12]



SEE DETAIL A



DETAIL A  
SCALE 8.000



NOTES:

1. LIGHTPIPE MATERIAL TO BE CLEAR POLYCARBONATE OR EQUIVALENT. AS SPECIFIED BY DIALIGHT ENGINEERING DEPT.
2. HOUSING AND COVER TO BE BLACK POLYCARBONATE OR EQUIVALENT. AS SPECIFIED BY DIALIGHT ENGINEERING DEPT.
3. DIALIGHT P/N 515-1236F
4. MAXIMUM LED THICKNESS FOR THIS LP ASSEMBLY IS .040"(1mm). SM PACKAGES 0402, 0404, 0603, SINGLE COLOR AND BI-COLOR OR SMALLER PACKAGES ARE RECOMMENDED.

THIS DRAWING AND THE CONTENTS HEREIN ARE CONFIDENTIAL AND THE SOLE PROPERTY OF DIALIGHT. REPRODUCTION OF THIS DRAWING OR CONSTRUCTION OF ANY PARTS WITHIN THIS DRAWING ARE FORBIDDEN WITHOUT THE WRITTEN CONSENT OF DIALIGHT.		
SCALE: 4.000	DRAWING NUMBER	REV
ALL DIM'S IN: INCHES (MM)	C-18385	A
TOLERANCES: UNLESS OTHERWISE SPECIFIED	TITLE	
FRACTIONS: ±1/64	LENS 2 HIGH FROM THE TOP	
DECIMALS (.XX): ±.01	MATERIAL	
DECIMALS (.XXX): ±.003	Dialight	
DECIMALS (.XXXX): ±.0005	1501 ROUTE 34 SOUTH	
ANGLES: ±1°	FARMINGDALE, NJ 07727	
FINISH:	FSCM	83330
	SHEET	1 OF 1
	FAMILY TABLE:	

DIRECTION OF LIGHT

DIRECTION OF LIGHT