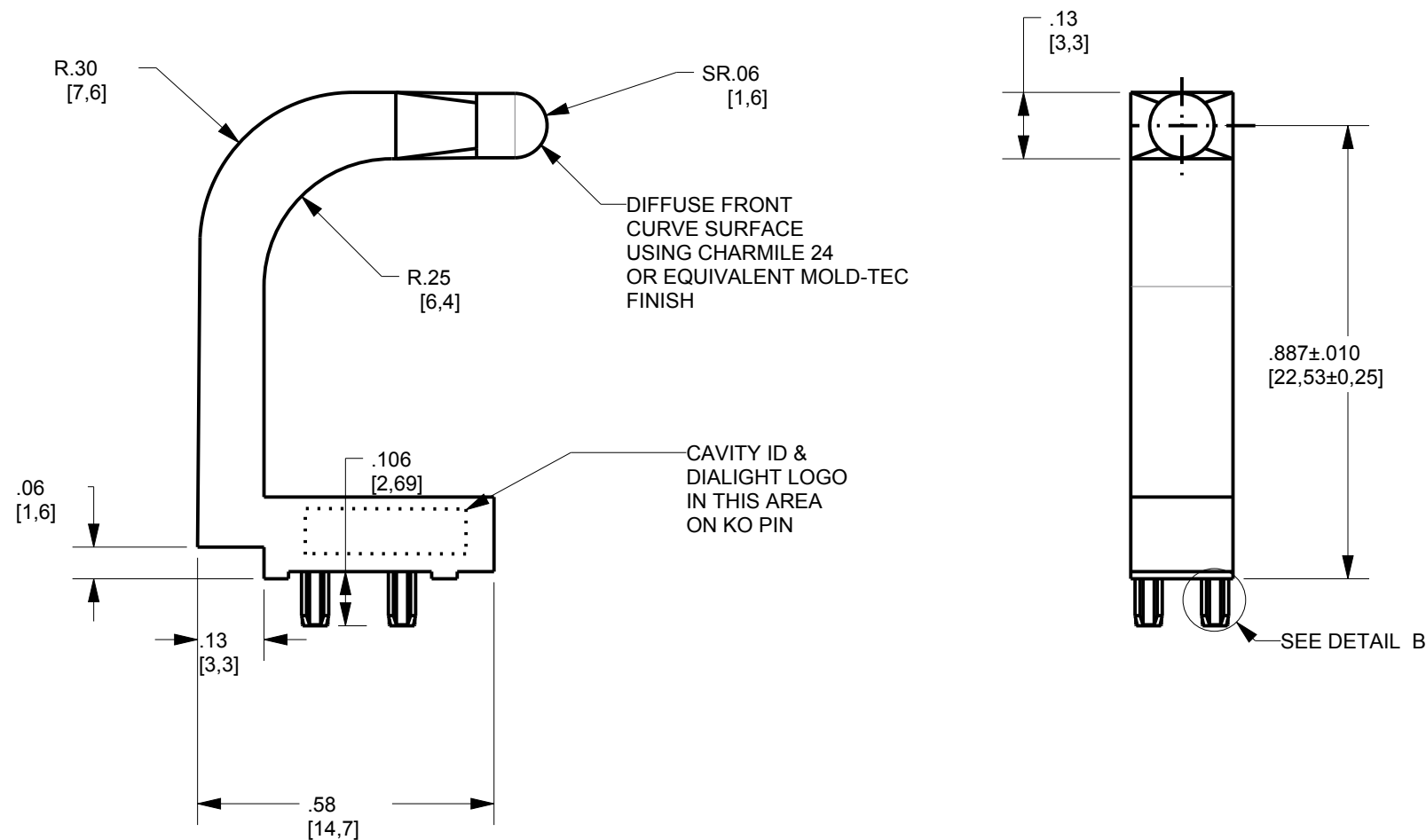
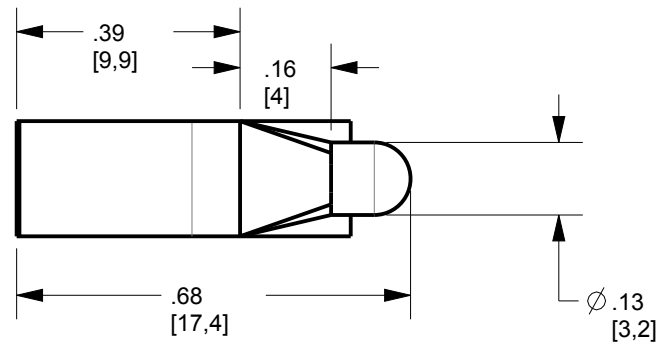
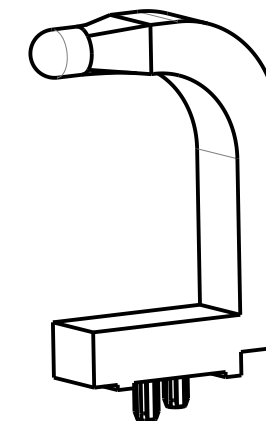
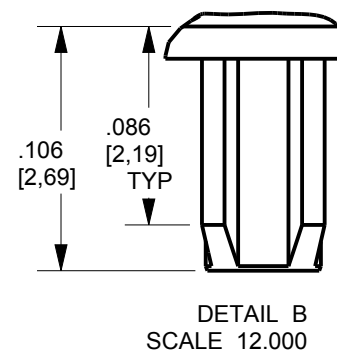
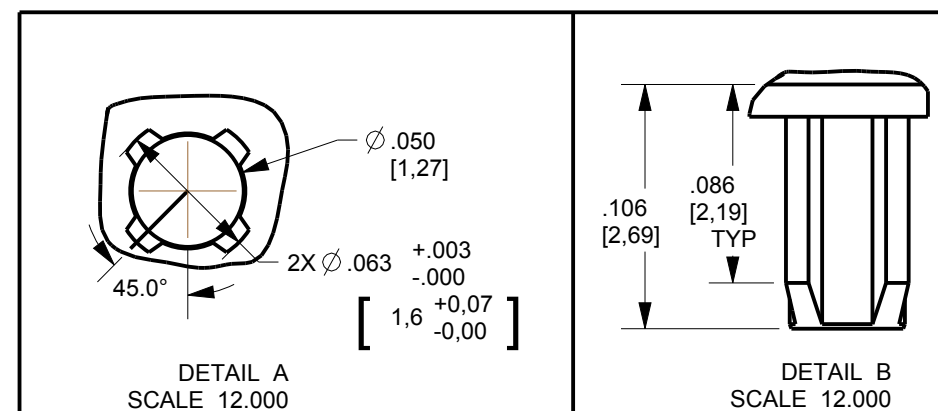
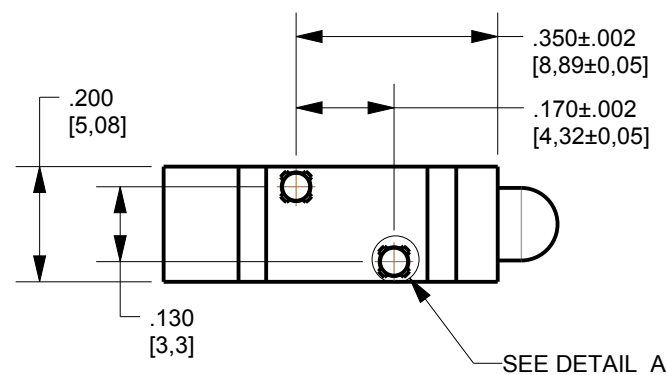


REV	REVISIONS	DRN	APP	DATE
A	NEW RELEASE	LD	NO	7-6-18
B	ADDED REV A0 on NOTE 1	LD	NO	6-28-19



- NOTES:
- DIALIGHT PART NUMBER: 515-1222-801F  
CISCO P/N : 700-107115-02 REV A0
  - MARK CISCO P/N, DIALIGHT P/N, DATE CODE, QTY/BAG ON THE BAG . PACKAGE 25 PCS/BAG
  - UNLESS OTHERWISE SPECIFIED, ALL SURFACES MUST HAVE FINISH OF SPI A1 TO A2.
  - UNLESS OTHERWISE SPECIFIED, SINK MARKS & KNOCKOUT MARKS NOT TO EXCEED .003 RECESSED.
  - FLASH NOT TO EXCEED .005 AND DRAFT SHALL ADD MASS.
  - GATE VESTIGE TO BE .010 ABOVE OR BELOW SURFACE.
  - MARKING FOR CAVITY IDENTIFICATION AND DIALIGHT LOGO NOT TO EXCEED .003 RAISED OR .005 LOWERED
  - ALL EDGES WITH UNSPECIFIED RADII TO BE .010 EXCEPT AT PARTING LINES.
  - MATERIAL TO BE CLEAR POLYCARBONATE UL 94V-0
  - THIS PRODUCT IS RoHS COMPLIANT. EACH BAG IS MARKED WITH RoHS COMPLIANT MARKINGS



THIS DRAWING AND THE CONTENTS HEREIN ARE CONFIDENTIAL AND THE SOLE PROPERTY OF DIALIGHT. REPRODUCTION OF THIS DRAWING OR CONSTRUCTION OF ANY PARTS WITHIN THIS DRAWING ARE FORBIDDEN WITHOUT THE WRITTEN CONSENT OF DIALIGHT.		
SCALE: 3.000 ALL DIM'S IN: INCHES (MM)	DRAWING NUMBER <b>C18304</b>	REV <b>B</b>
TOLERANCES: UNLESS OTHERWISE SPECIFIED FRACTIONS: ±1/64 DECIMALS (.XX): ±.01 DECIMALS (.XXX): ±.005 DECIMALS (.XXXX): ±.0005 ANGLES: ±1°	TITLE LP RT ANG .130" DIAx.887 CL MOUNTING PINS DIAGONAL	
FINISH:	MATERIAL	
FSCM <b>83330</b>	1501 ROUTE 34 SOUTH FARMINGDALE, NJ 07727	
SHEET 1 OF 1	FAMILY TABLE:	