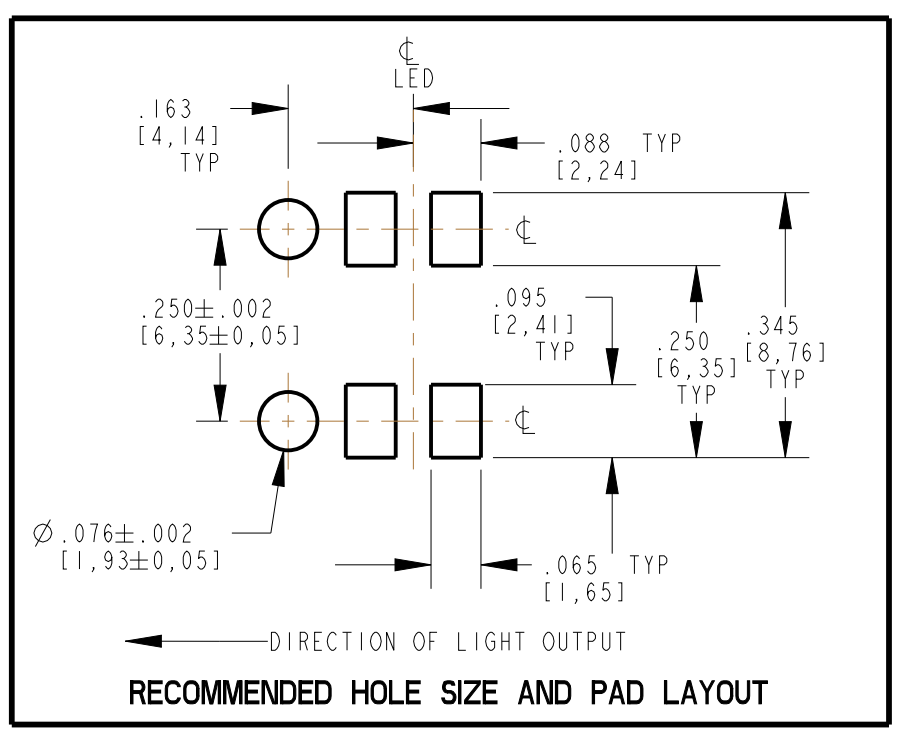
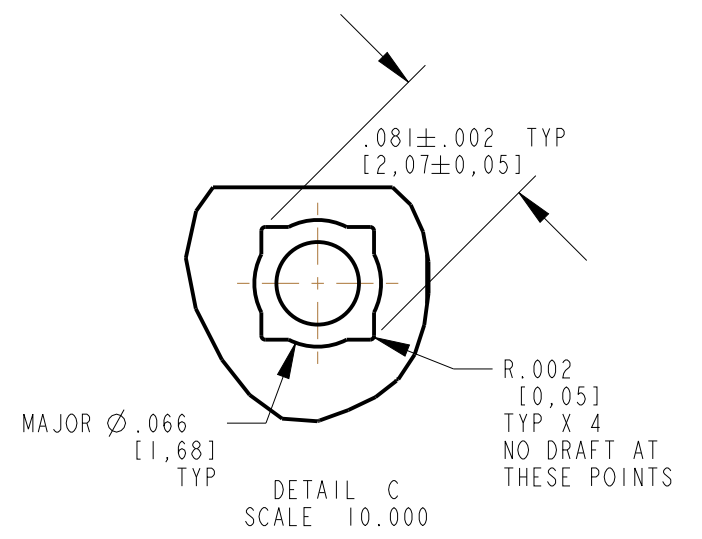
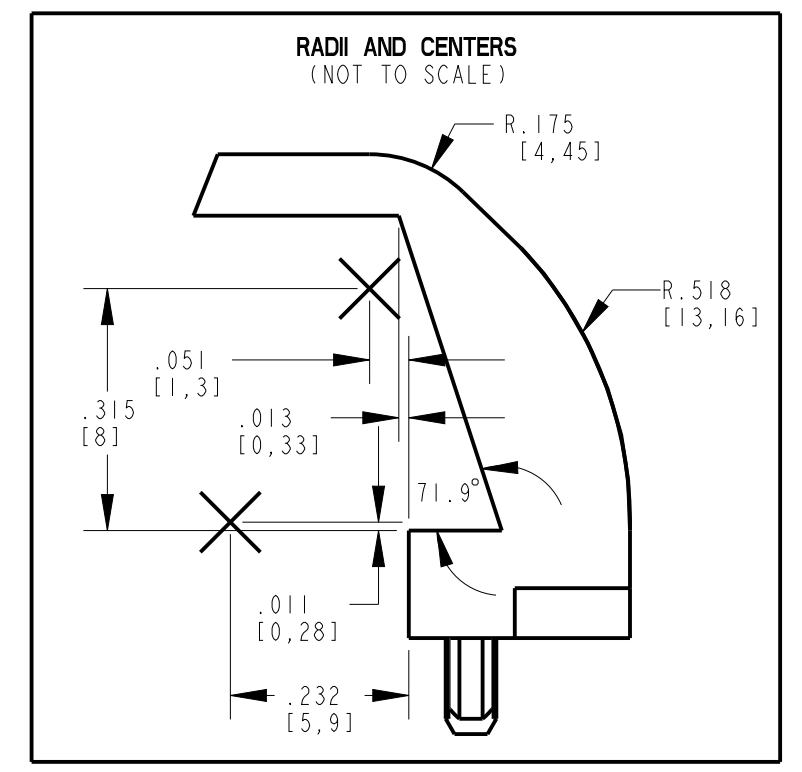
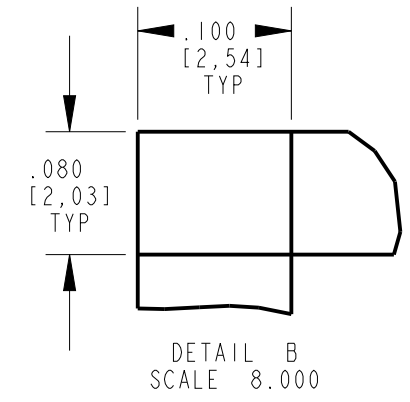
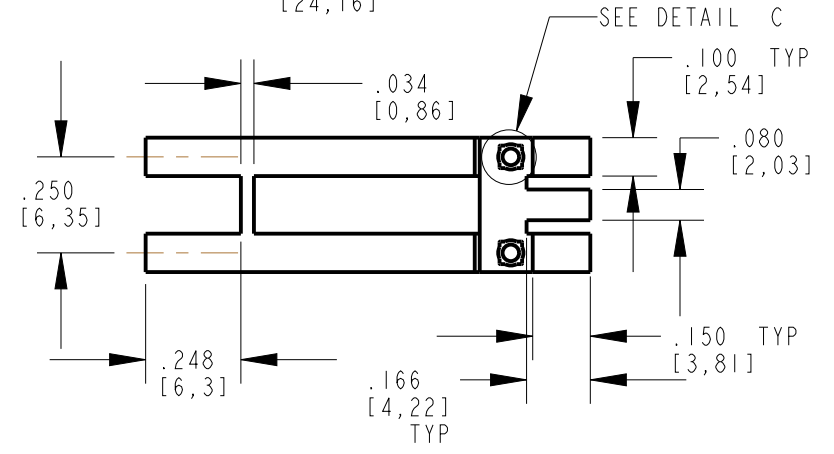
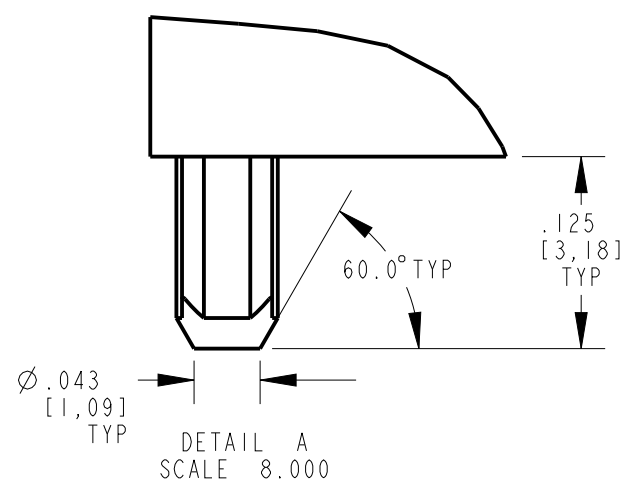
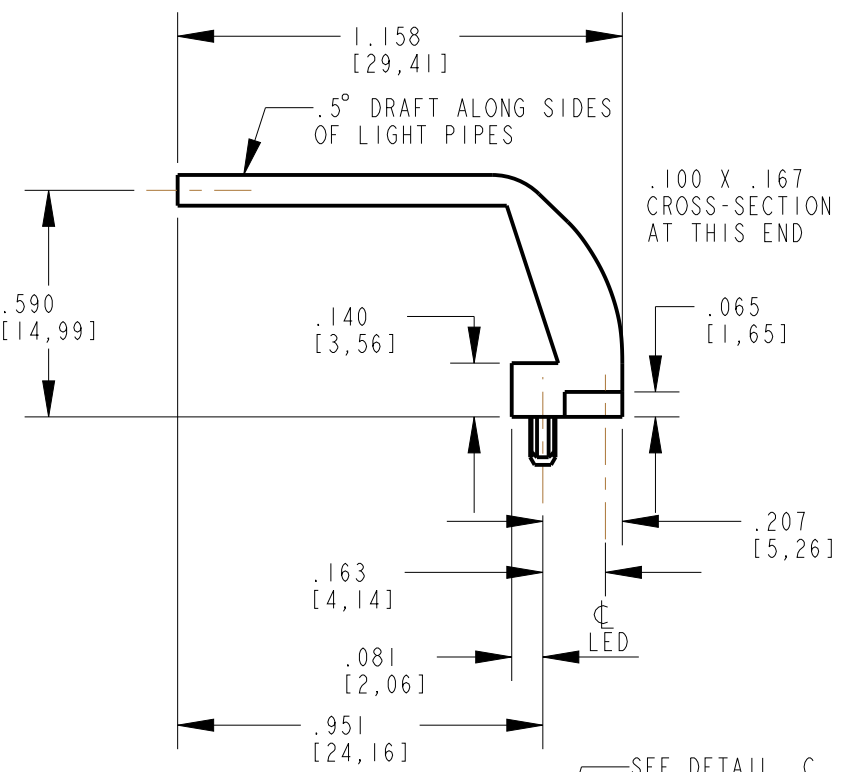
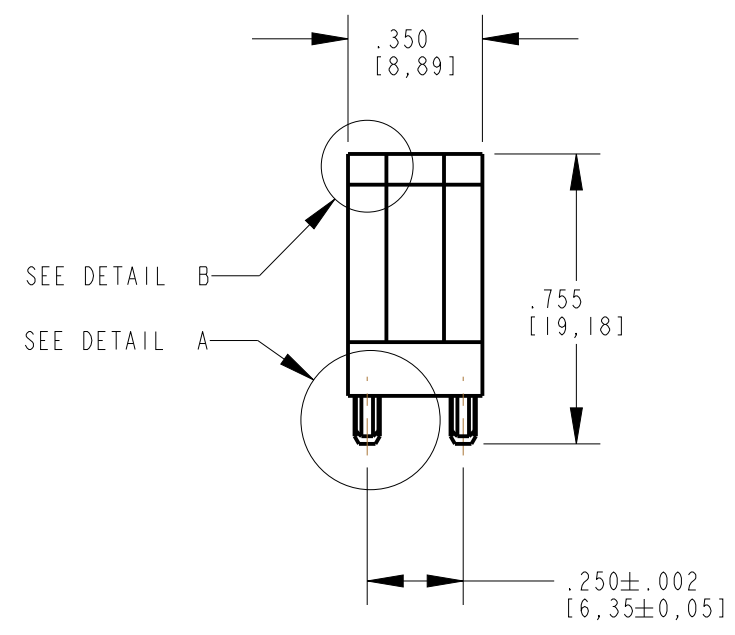


REV	ECN NO	REVISIONS	DRN	CKD	APP	DATE
A		NEW RELEASE	WFB	JTD	NO	12-13-12



RoHS COMPLIANT 515-1202F

Part Numbers with the "F" suffix ending are RoHS Compliant. Packaging is marked with "RoHS Compliant" label or equivalent markings.

NOTES:

1. DIALIGHT PART NUMBER 515-1202F
2. UNLESS OTHERWISE SPECIFIED, ALL SURFACES MUST HAVE FINISH OF SPI A3 TO B1.
3. MATERIAL TO BE CLEAR, TRANSMISSABLE POLYCARBONATE (UL 94V-0 FLAMABILITY).
4. FLASH NOT TO EXCEED .005, SINK MARKS PERMISSIBLE ±.005.
5. UNLESS OTHERWISE SPECIFIED, .003" ROUNDS AND FILLETS PERMISSIBLE.
6. GATE VESTIGE TO BE .010" ABOVE OR BELOW SURFACE.
7. COMPONENTS DESIGNED TO BE PRESSED INTO PC BOARD.
8. UNLESS OTHERWISE SPECIFIED, 2 DEGREE DRAFT PERMISSIBLE.
9. RECOMMENDED SURFACE MOUNT LED DIALIGHT PART NUMBER 597-3XX2-50XF OR EQUIVALENT 1208 PACKAGE

THIS DRAWING AND THE CONTENTS HEREIN ARE CONFIDENTIAL AND THE SOLE PROPERTY OF DIALIGHT. REPRODUCTION OF THIS DRAWING OR CONSTRUCTION OF ANY PARTS WITHIN THIS DRAWING ARE FORBIDDEN WITHOUT THE WRITTEN CONSENT OF DIALIGHT.

SCALE: 2.000	DRAWING NUMBER	REV
ALL DIM'S IN: INCHES (MM)	C-17999	A
TOLERANCES: UNLESS OTHERWISE SPECIFIED	TITLE	
FRACTIONS: ±1/64	2 ELEMENT LIGHTPIPE	
DECIMALS (.XX): ±.01	1.158" LENGTH	
DECIMALS (.XXX): ±.010	MATERIAL	
DECIMALS (.XXXX): ±.0005		
ANGLES: ±3°		
FINISH:		
FSCM 83330	1501 ROUTE 34 SOUTH FARMINGDALE, NJ 07727	
	SHEET 1 OF 1	FAMILY TABLE: