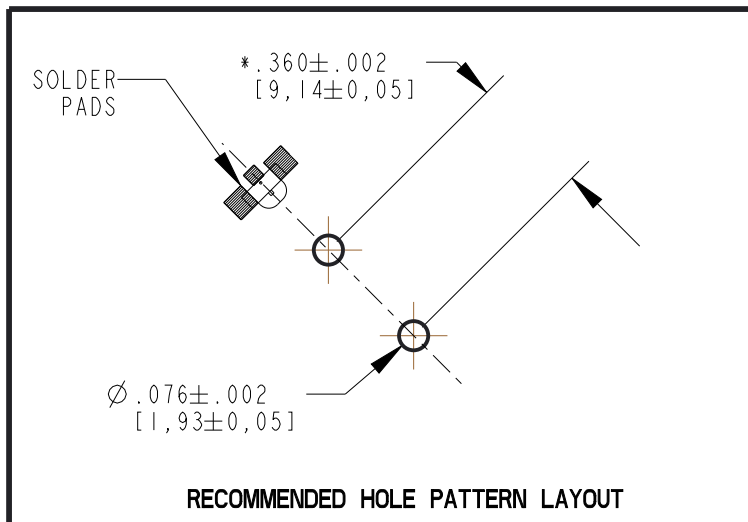
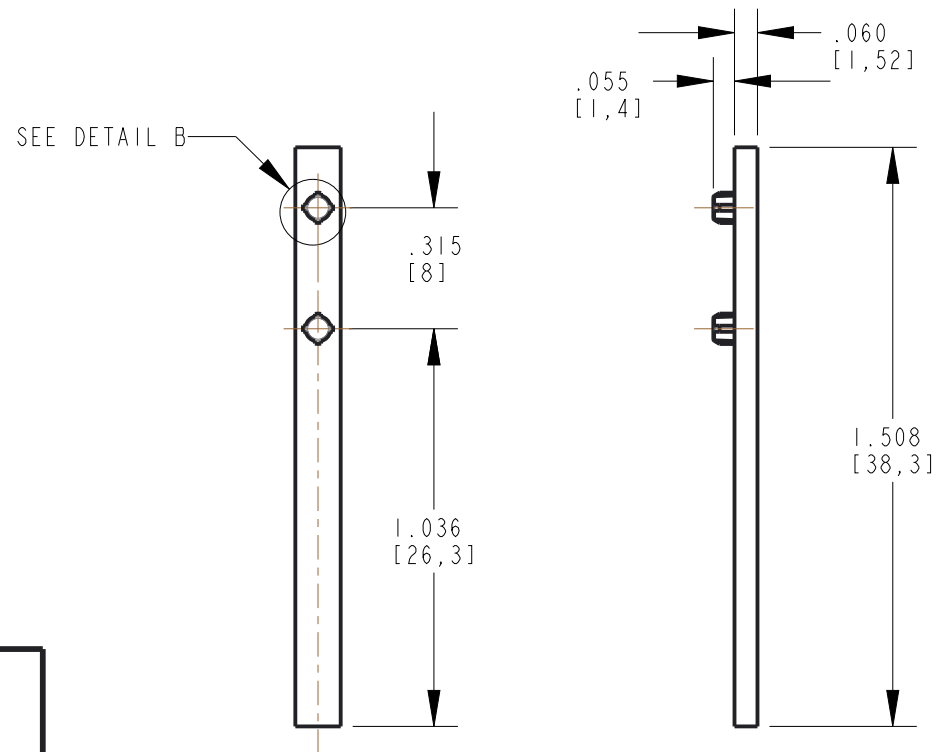
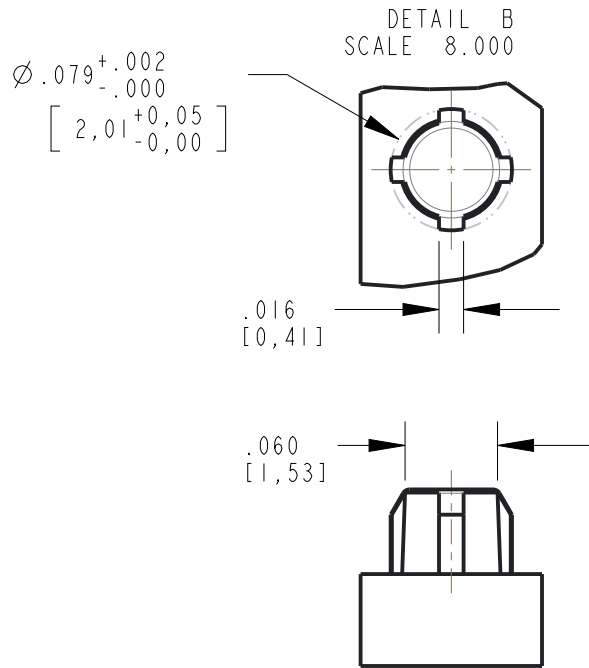



REV	REVISIONS	DRN	APP	DATE
A	NEW RELEASE	LD	NO	10-20-20



RoHS Compliant 515-1154-804F Lightpipe
Part Numbers with the "F" suffix ending are RoHS Compliant. Packaging is marked with "RoHS Compliant" label or equivalent markings.

THIS DRAWING AND THE CONTENTS HEREIN ARE CONFIDENTIAL AND THE SOLE PROPERTY OF DIALIGHT CORP. REPRODUCTION OF THIS DRAWING OR CONSTRUCTION OF ANY PARTS WITHIN THIS DRAWING ARE FORBIDDEN WITHOUT THE WRITTEN CONSENT OF DIALIGHT CORP.		
DIALIGHT CORP. INTERNAL REFERENCE ONLY = 3D MODEL : PCB_LUCENT-A.2		
SCALE: 1.000	DRAWING NUMBER	REV
ALL DIM's: INCH (mm)	C-18488	A
TOLERANCES: UNLESS OTHERWISE SPECIFIED		
FRACTIONS: ±1/64 DECIMALS (.XX): ±.01 DECIMALS (.XXX): ±.005 DECIMALS (.XXXX): ±.0005 ANGLES: ±1°	TITLE STRAIGHT LIGHT PIPE 1.508" LG	
FINISH	MATERIAL	
FSCM 83330	 1501 ROUTE 34 SOUTH FARMINGDALE, NJ 07727 (732) 919-3119 www.dialight.com	
SHEET 1 OF 1		FAMILY TABLE:

- NOTES:
1. COMPONENT MOLDED IN A CLEAR TRANSMISSIVE POLYCARBONATE, UL 94V-0 GRADE.
 2. COMPONENT DESIGNED TO BE PRESSED INTO P.C. BOARD.
 3. DIALIGHT LIGHTPIPE PART NUMBER: 515-1154-804F
 4. RECOMMENDED LIGHT SOURCE: RIGHT ANGLE LED FROM DIALIGHT LED SELECTOR GUIDE
 5. ALL SURFACES ARE POLISHED WITH EXCEPTION OF PRESS FIT PINS.