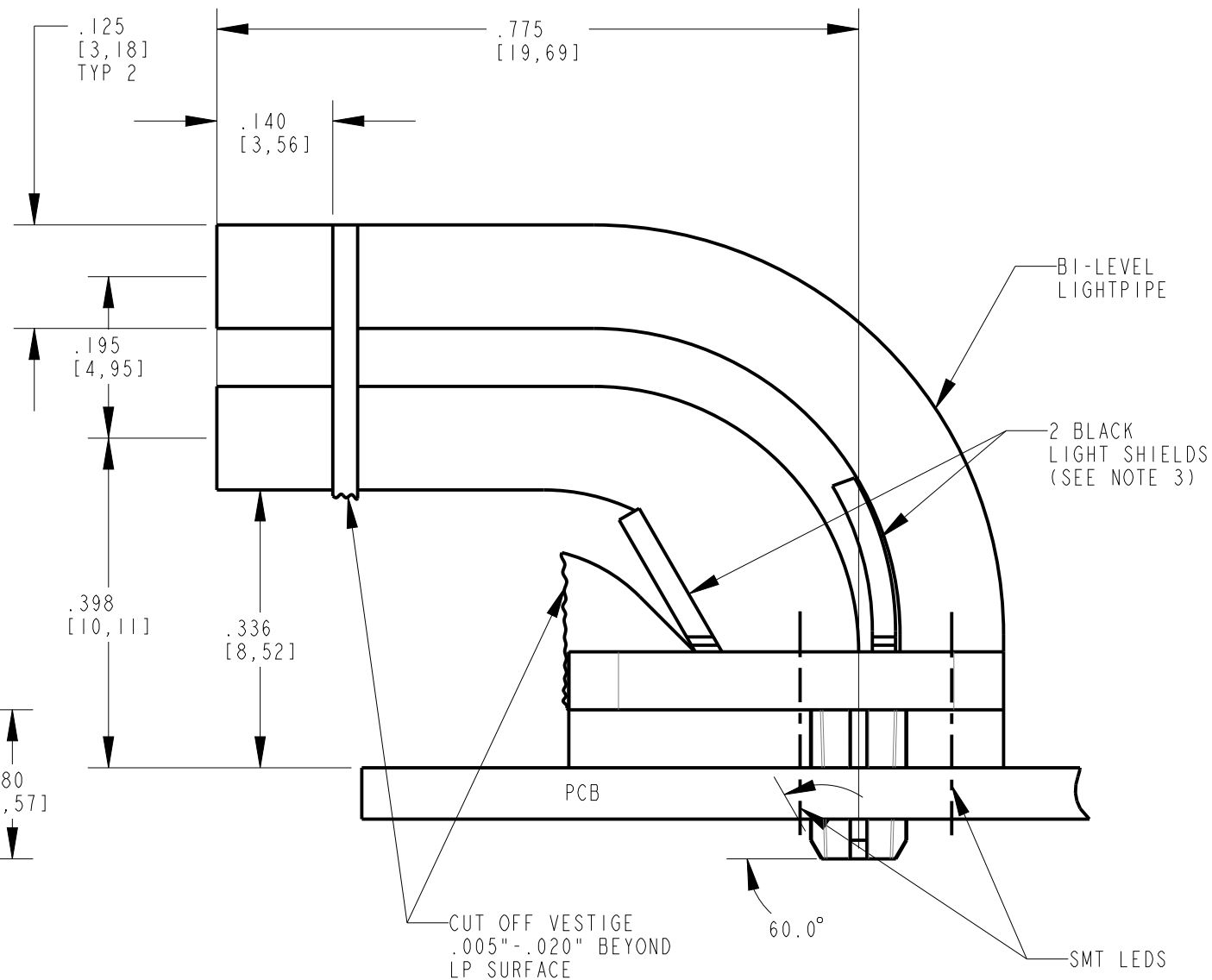
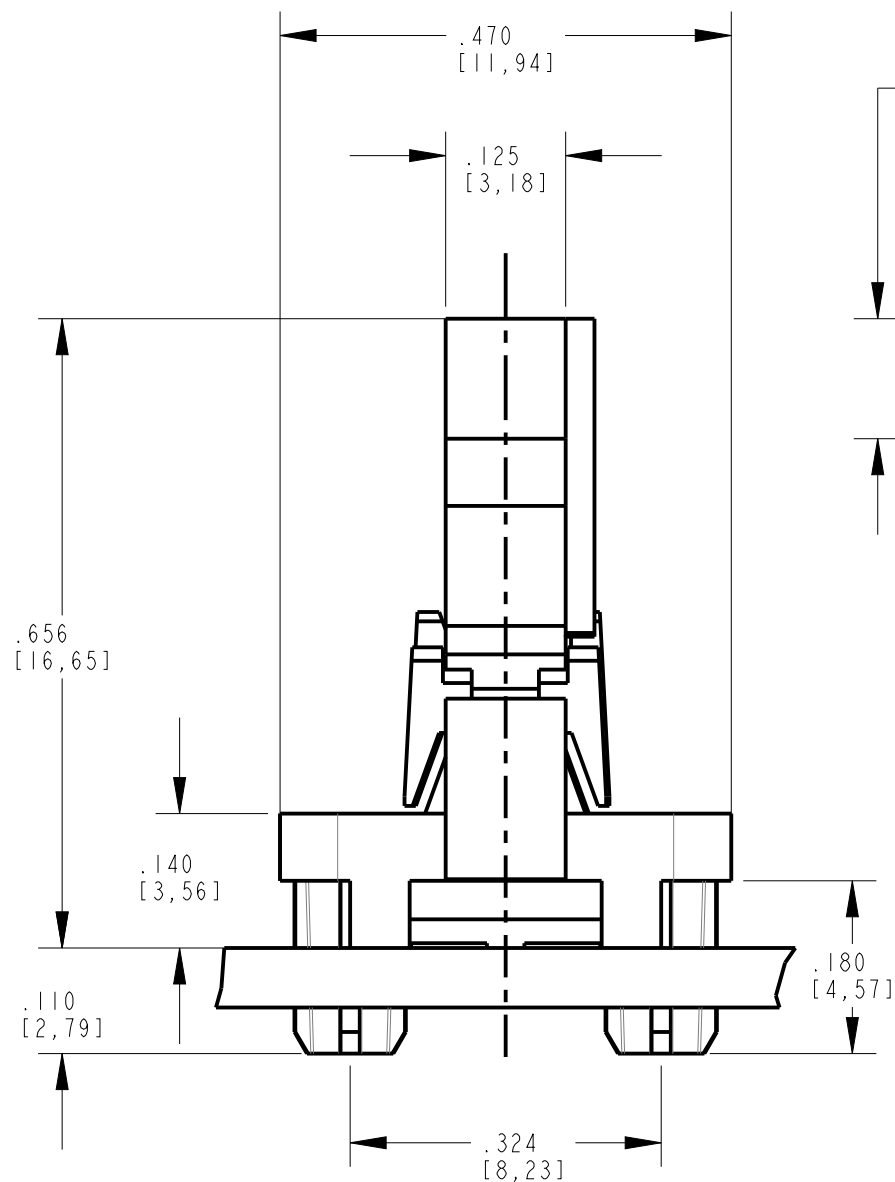
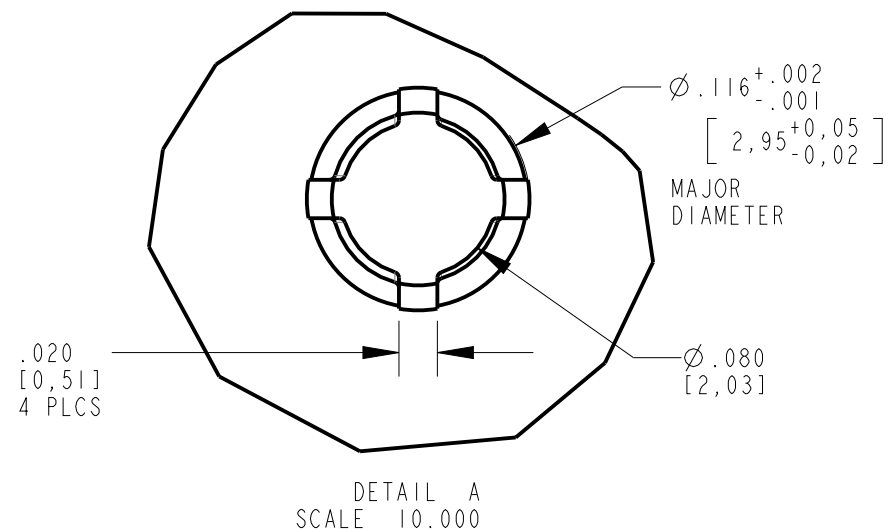


NOTES:

- DIALIGHT PART NUMBER: 515-1108F-802F.
- COMPONENTS DESIGNED TO BE PRESSED INTO PCB.
- ASSEMBLY TO CONSIST OF (1) BI-LEVEL LIGHTPIPE AND (2) BLACK LIGHTSHIELDS INSERTED INTO GROOVES IN LIGHTPIPE.
- RECOMMENDED SURFACE MOUNT LEDS DIALIGHT PART NUMBERS:
597-3XX1-507F, 597-3XX2-507F (SINGLE COLOR)
597-77X1-507F (BI-COLOR)
- MATERIAL TO BE CLEAR TRANSMISSIVE POLYCARBONATE (UL 94V-0 FLAMMABILITY).
- STORAGE AND OPERATING TEMPERATURE: -30 TO +100°C.

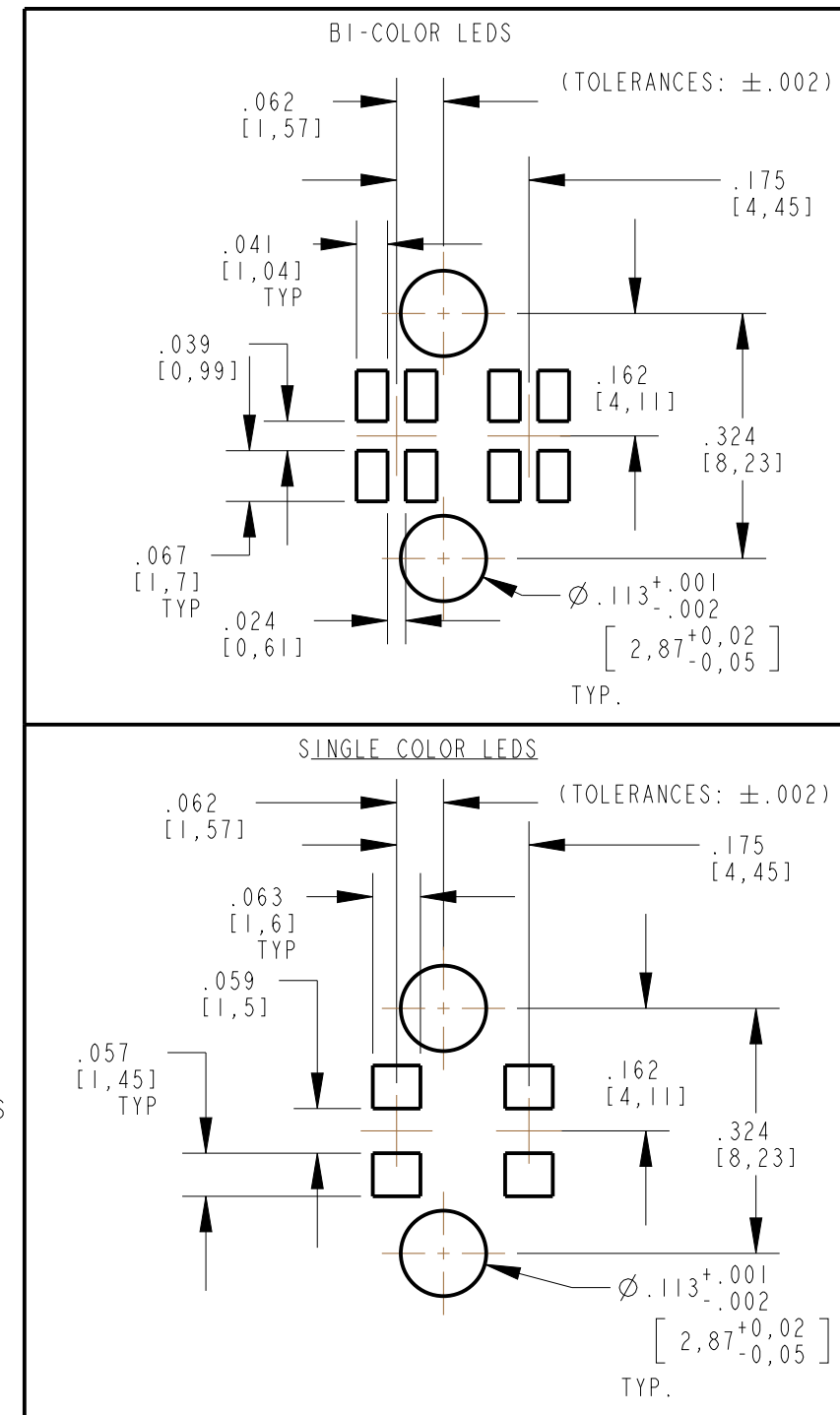
RoHS COMPLIANT 515-1108-802F

Part Numbers with the "F" suffix ending are RoHS Compliant.
Packaging is marked with "RoHS Compliant" label or equivalent markings.



REV	REVISIONS	DRN	CKD	APP	DATE
A	NEW RELEASE	LD		NO	2-22-21

RECOMMENDED SOLDER PAD / HOLE LAYOUT



THIS DRAWING AND THE CONTENTS HEREIN ARE CONFIDENTIAL AND THE SOLE PROPERTY OF DIALIGHT CORP. REPRODUCTION OF THIS DRAWING OR CONSTRUCTION OF ANY PARTS WITHIN THIS DRAWING ARE FORBIDDEN WITHOUT THE WRITTEN CONSENT OF DIALIGHT CORP.

SCALE: 4.000	DRAWING NUMBER	REV
ALL DIM'S: INCH (mm)	C-18493	A
TOLERANCES: UNLESS OTHERWISE SPECIFIED	TITLE	
FRACTIONS: ±1/64	BI-LEVEL LIGHTPIPE WITH SHIELDS	
DECIMALS (.XX): ±.02	MATERIAL	
DECIMALS (.XXX): ±.015	SEE NOTES	
ANGLES: ±1°	FINISH	
	Dialight 1501 ROUTE 34 SOUTH FARMINGDALE, NJ 07727 (732) 919-3119 www.dialight.com	
FSCM 83330	SHEET 1 OF 1	FAMILY TABLE: