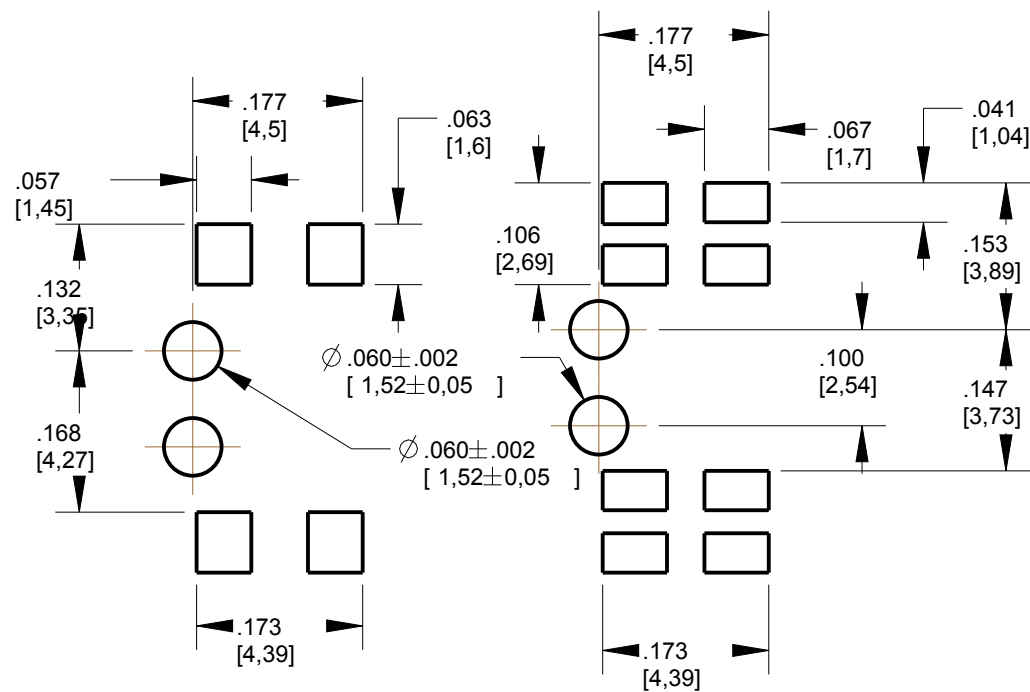
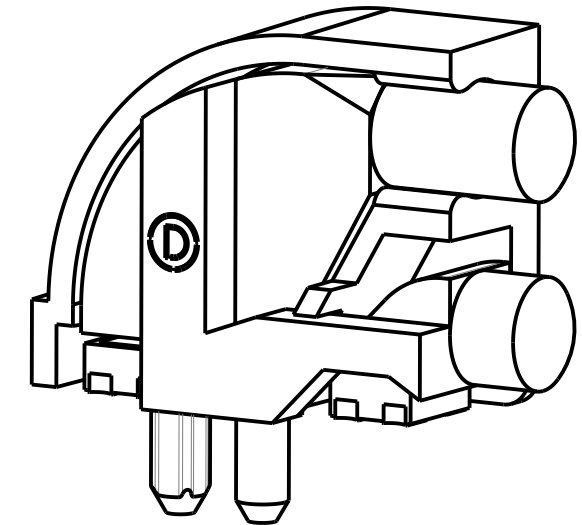
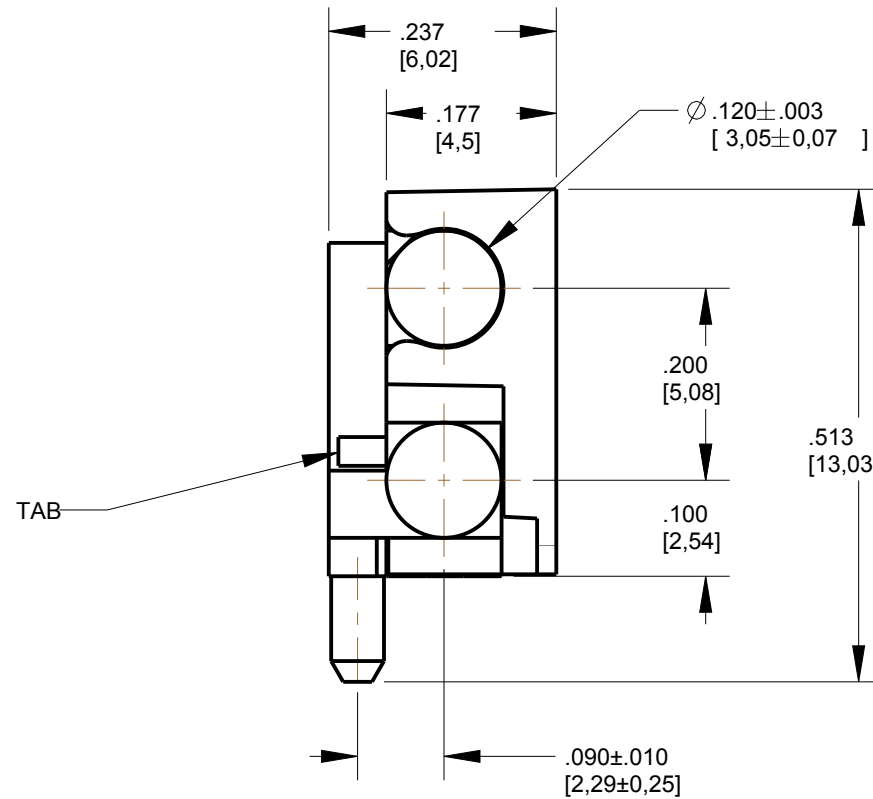
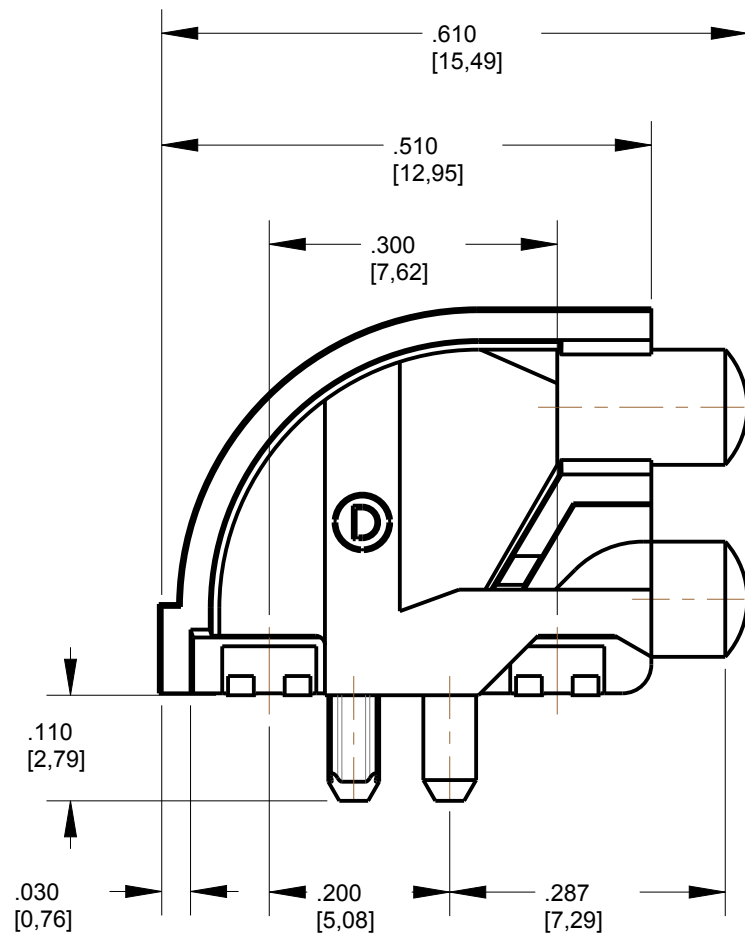


RoHS COMPLIANT 515-1061-805F

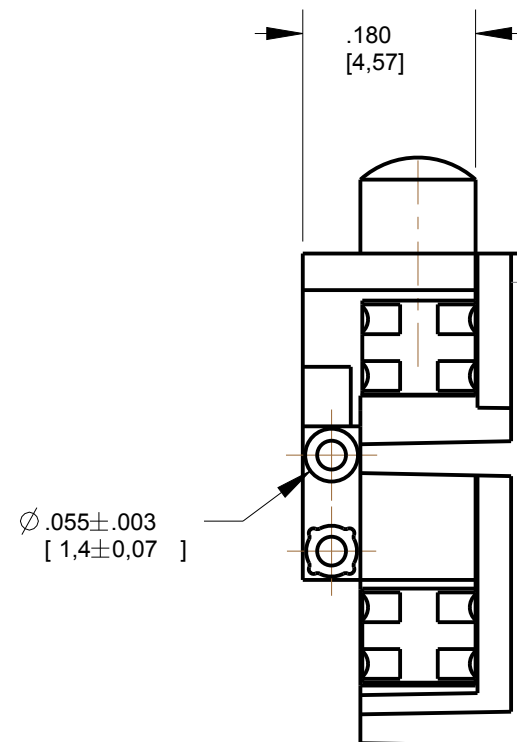
Part Numbers with the "F" suffix ending are RoHS Compliant.
Packaging is marked with "RoHS Compliant" label or equivalent markings.

REV	REVISIONS	DRN	CKD	APP	DATE
A	NEW RELEASE	LD	—	SK	6-22-18
B	ADDED TAB FOR ROTATION PREVENTION	LD		NO	5-12-19



RECOMMENDED PAD LAYOUT
FOR SINGLE COLOR SMT LEADS
(P/N 597-3XX1-507F)

RECOMMENDED PAD LAYOUT
FOR BI-COLOR SMT LEADS
(P/N 597-7XX1-507F)



NOTES:

1. LIGHT PIPE TO BE MOLDED IN A CLEAR TRANSMISSIVE POLYCARBONATE (UL 94V-0 FLAMMABILITY CLASS). LIGHT SHIELD TO BE MOLDED IN A BLACK PBT (UL 94V-0 FLAMMABILITY CLASS).
2. COMPONENTS DESIGNED TO BE PRESSED INTO P.C. BOARD USING A HAND TOOL
3. MINIMUM DISTANCE FROM THE CENTER LINE OF NON-COMPRESSION PIN (WITHOUT RIBS) TO BACK OF THE FRONT PANEL: 0.220 INCHES
4. RECOMMENDED LIGHT SOURCES: SINGLE OR BI-COLOR SMT LEADS (DIALIGHT P/N'S: 597-7XX1-507F OR 597-3XX1-507F).
5. OPERATING/STORAGE TEMPERATURE: -30° C TO +100° C
6. DIALIGHT PART NUMBER: 515-1061-805F.

THIS DRAWING AND THE CONTENTS HEREIN ARE CONFIDENTIAL AND THE SOLE PROPERTY OF DIALIGHT CORP. REPRODUCTION OF THIS DRAWING OR CONSTRUCTION OF ANY PARTS WITHIN THIS DRAWING ARE FORBIDDEN WITHOUT THE WRITTEN CONSENT OF DIALIGHT CORP.		
DIALIGHT CORP INTERNAL REFERENCE ONLY = 3D MODEL : 5151061805F-A.19		
SCALE: 5.000	DRAWING NUMBER	REV
ALL DIM'S: INCH (mm)	C-18376	B
TOLERANCES: UNLESS OTHERWISE SPECIFIED	TITLE LIGHTPIPE 2 ELEMENT WITH BARRIER	
FRACTIONS: ±1/64 DECIMALS (.XX): ±.01 DECIMALS (.XXX): ±.005 DECIMALS (.XXXX): ±.0005 ANGLES: ±1°	MATERIAL	
FINISH		
FSCM 83330	SHEET 1 OF 1	FAMILY TABLE:
1501 ROUTE 34 SOUTH FARMINGDALE, NJ 07727 (732) 919-3119 www.dialight.com		