



Smart Card

TE Internal #: 5145300-1

Smart Card Connectors, Connector, 8 Position, .1 in [2.54 mm]

Centerline, Board Mount, -40 – 194 °F [-40 – 90 °C]

[View on TE.com >](#)

Connectors > PCB Connectors > Memory Card Connectors > Smart Card Connectors

Smart Card Connector Product Type: **Connector**Number of Positions: **8**Pre-Installed Wire & Cable: **Without**Centerline (Pitch): **2.54 mm [.1 in]**Contact Current Rating (Max): **.2 A****Features****Product Type Features**

Compatible Card	Smart Card
Connector & Contact Terminates To	Printed Circuit Board
Smart Card Connector Product Type	Connector

Configuration Features

Cover	Without
Card Detection Switch	With
Operating Function	NO
Number of Signal Positions	8
Number of Positions	8
Pre-Installed Wire & Cable	Without

Body Features

Primary Product Color	Black
-----------------------	-------

Contact Features

	30 µin
Contact Mating Area Plating Material	Gold
Contact Underplating Material	Nickel
PCB Contact Termination Area Plating Material	Tin
Contact Base Material	Phosphor Bronze
Contact Current Rating (Max)	.2 A



Termination Features

Termination Method to Printed Circuit Board	Surface Mount
---	---------------

Mechanical Attachment

Mating Alignment	Without
Connector Mounting Type	Board Mount

Housing Features

Housing Material	High Temperature Thermoplastic
Centerline (Pitch)	2.54 mm[.1 in]

Dimensions

Accepts Card Thickness	.76 mm[.03 in]
Profile Height from PCB	1.55 mm, 3.65 mm[.059 in][.144 in]

Usage Conditions

Operating Temperature Range	-40 – 90 °C[-40 – 194 °F]
-----------------------------	---------------------------

Operation/Application

Durability Rating	10000 Cycles
Circuit Application	Signal

Packaging Features

Packaging Quantity	448
Packaging Method	Carton

Product Compliance

[For compliance documentation, visit the product page on TE.com>](#)

EU RoHS Directive 2011/65/EU	Compliant
EU ELV Directive 2000/53/EC	Compliant
China RoHS 2 Directive MIIT Order No 32, 2016	No Restricted Materials Above Threshold
EU REACH Regulation (EC) No. 1907/2006	Current ECHA Candidate List: JUNE 2024 (241) Candidate List Declared Against: JUNE 2024 (241) Does not contain REACH SVHC
Halogen Content	Low Halogen - Br, Cl, F, I < 900 ppm per homogenous material. Also BFR/CFR/PVC Free
Solder Process Capability	Reflow solder capable to 260°C

Product Compliance Disclaimer

This information is provided based on reasonable inquiry of our suppliers and represents our current actual knowledge based on the information they provided. This information is subject to change. The part numbers that TE has identified as EU RoHS compliant have a maximum concentration of 0.1% by weight in homogenous materials for lead, hexavalent chromium, mercury, PBB, PBDE, DBP, BBP, DEHP, DIBP, and 0.01% for cadmium, or qualify for an exemption to these limits as defined in the Annexes of Directive 2011/65/EU (RoHS2). Finished electrical and electronic equipment products will be CE marked as required by Directive 2011/65/EU. Components may not be CE marked. Additionally, the part numbers that TE has identified as EU ELV compliant have a maximum concentration of 0.1% by weight in homogenous materials for lead, hexavalent chromium, and mercury, and 0.01% for cadmium, or qualify for an exemption to these limits as defined in the Annexes of Directive 2000/53/EC (ELV). Regarding the REACH Regulation, the information TE provides on SVHC in articles for this part number is based on the latest European Chemicals Agency (ECHA) 'Guidance on requirements for substances in articles' posted at this URL: <https://echa.europa.eu/guidance-documents/guidance-on-reach>

Compatible Parts



TE Part # 5145299-2
SIM/SAM RECPT,6 POS,SMT



TE Part # 5145299-1
SIM/SAM RECPT,6 POS,SMT

Customers Also Bought



TE Part #DT04-2P
REC, 2P, GRY, N



TE Part #DT06-2S
PLG, 2P, GRY, N



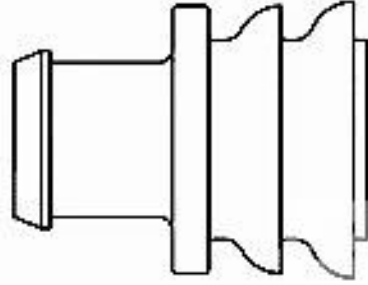
TE Part #W2S
Wedgelocks: DEUTSCH DT



TE Part #0460-202-16141
DEUTSCH Solid Contacts



TE Part #282104-1
AMP SUPERSEAL 1.5MM,
CONNECTOR HOUSING



TE Part #281934-2
SINGLE WIRE SEAL



TE Part #114017-ZZ
SEALING PLUG, SIZE 12/16, WHT

Documents

Product Drawings

SMT CARD RCPT,8 POS, W/O COVER

English



CAD Files

Customer View Model

[ENG_CVM_CVM_5145300-1_B.2d_dxf.zip](#)

English

3D PDF

3D

Customer View Model

[ENG_CVM_CVM_5145300-1_B.3d_igs.zip](#)

English

Customer View Model

[ENG_CVM_CVM_5145300-1_B.3d_stp.zip](#)

English

By downloading the CAD file I accept and agree to the [Terms and Conditions](#) of use.

Product Specifications

[Application Specification](#)

English