

**PLEASE CHECK WWW.MOLEX.COM FOR LATEST PART INFORMATION**

**Part Number:** **0514051819**  
**Status:** **Active**  
**Description:** 1.25mm Pitch Mini Mi II System Wire-to-Wire Receptacle Housing, Dual Row, Floating Type, 18 Circuits

**Documents:**

[3D Model](#) [Product Specification PS-51405-008-001 \(PDF\)](#)  
[Drawing \(PDF\)](#) [RoHS Certificate of Compliance \(PDF\)](#)

**Agency Certification**

UL E29179

**General**

Product Family IDT and Solder Connectors  
Series [51405](#)  
Crimp Quality Equipment Yes  
Product Name Mini Mi II  
UPC 822348180653  
Use With [54596](#) IDT Receptacle Housing

**Physical**

Circuits (Loaded) 18  
Circuits (maximum) 18  
Durability (mating cycles max) 3000  
Gender Receptacle  
Glow-Wire Capable No  
Lock to Mating Part None  
Material - Metal Phosphor Bronze  
Material - Plating Mating Gold  
Material - Plating Termination Tin  
Net Weight 3975.622/mg  
Number of Rows 2  
Packaging Type Tray  
Panel Mount Yes  
Pitch - Mating Interface 1.25mm  
Pitch - Termination Interface 1.25mm  
Plating min - Mating 0.203µm  
Plating min - Termination 2.032µm  
Polarized to Mating Part Yes  
Stackable No  
Temperature Range - Operating -20° to +80°C  
Termination Interface: Style Through Hole  
Wire Size AWG 26, 28

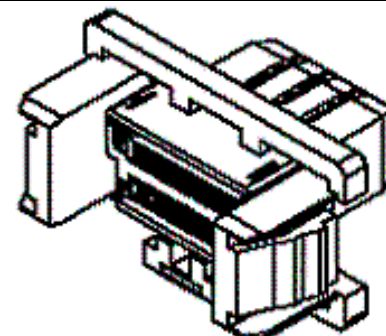
**Electrical**

Current - Maximum per Contact 1.5A  
Voltage - Maximum 100V AC (RMS)/DC

**Material Info**

**Reference - Drawing Numbers**

Product Specification PS-51405-008-001  
Sales Drawing SD-51405-007



*Series image - Reference only*

**EU ELV**

**Not Relevant**

**EU RoHS**

**Compliant**

**REACH SVHC**

Not Contained Per -  
ED/61/2018 (27 June  
2018)

**Halogen-Free**

**Status**

**Not Low-Halogen**

**Need more information on product environmental compliance?**

Email [productcompliance@molex.com](mailto:productcompliance@molex.com)  
Please visit the [Contact Us](#) section for any non-product compliance questions.

China ROHS	Green Image
ELV	Not Relevant
Prop65	Compliant
RoHS Phthalates	Not Contained

**Search Parts in this Series**

[51405](#) Series