

Distributed by:

JAMECO[®]
ELECTRONICS

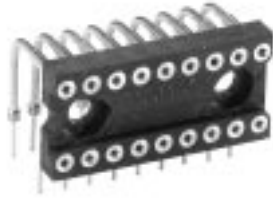
www.Jameco.com ♦ 1-800-831-4242

The content and copyrights of the attached
material are the property of its owner.

Jameco Part Number 1018659

Numerical Display Sockets

500 Series



518-AG7D



516-AG21D



508-AG8D

FEATURES:

Offers a wide range of LED and ganged unit sockets to allow for total flexibility and size variations while incorporating the design features of our standard 500 Series sockets.

- Two-piece tapered entry socket terminal — four-fingered, gold plated inner contact and machined tin/lead plated outer sleeve.
- Available in either solderless wrap or printed circuit termination.
- Horizontal or right angle mounting.

MATERIAL SPECIFICATIONS (Figures 1, 2, 3):

Inner ContactFour-fingered beryllium copper, gold
 Outer SleeveMachined brass, tin/lead plated
 Insulator.....Thermoplastic polyester UL rated 94V-0

MATERIAL SPECIFICATIONS (Figure 4):

Inner ContactFour-fingered beryllium copper, gold
 Outer SleeveBrass, tin/lead plated
 BoardGlass epoxy, tin-plated copper circuitry
 TerminalPhosphor bronze, solder-coated
 SpacerDelrin

Note: Before ordering, see Cross Reference in Section 15 for equivalent Tyco Electronics Part Number.

PERFORMANCE SPECIFICATIONS:

MECHANICAL

VibrationPassed MIL-STD-1344, Method 2005.1, Condition II, 10 G's
 Shock.....Passed MIL-STD-1344, Method 2004.1, Condition C, 100 G's
 DurabilityPassed MIL-STD-1344, Method 2016
 Normal Force200 Grams (7.0 oz.) average with .018" (0,46) dia. polished steel pin
 Insertion Force179 Grams (6.3 oz.) average with .018 (0,46)" dia. polished steel pin
 Withdrawal Force63 Grams (2.2 oz.) average with .018" (0,46) dia. polished steel pin
 SolderabilityPassed MIL-STD-202F, Method 208
 Sleeve Retention
 in Plastic3.5 Lbs. per line minimum solderless wrap; 3.0 Lbs. PC tail
 Inner Contact
 Retention7.5 Lbs. per line average

ELECTRICAL

Contact Resistance10 Milliohms
 Contact Rating.....3 Amps
 Capacitance1.0 pF per MIL-STD-202, Method 305 (contact to contact)
 Insulation Resistance.....5,000 Megohms min. @ 500 VDC per MIL-STD-1344, Method 3003.1
 Dielectric Withstanding
 Voltage1,000 Volts RMS per MIL-STD-1344, Method 3001.1

ENVIRONMENTAL

HumidityPassed MIL-STD-1344, Method 1002.2, Cond. II
 Thermal ShockPassed MIL-STD-1344, Method 1003.1, Cond. A
 Operation TemperatureGold inner contact -55°C to +125°C
 Tin/lead inner contact -55°C to +105°C



Angle Mount DIP Sockets

500 Series

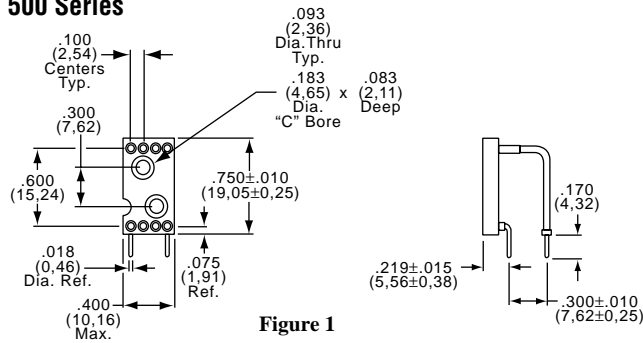


Figure 1

PART NUMBERS / STANDARD CONFIGURATIONS

Part Number	Figure	Number of Contacts	Description
508-AG8D	1	8	Right angle mtg., printed circuit
508-AG4A	2	8	Horizontal mtg., solder pocket
508-AG4F	2	8	Horizontal mtg., 3 level solderless wrap

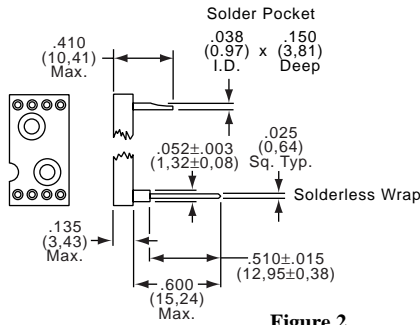


Figure 2

PART NUMBER / STANDARD CONFIGURATIONS

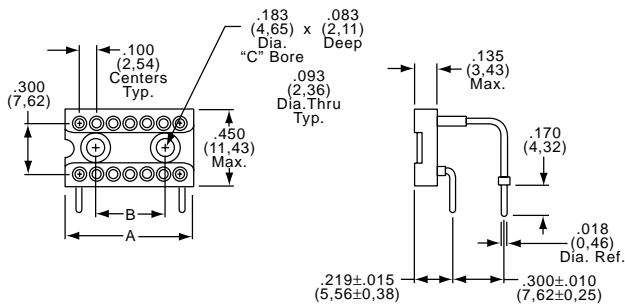


Figure 3
Horizontal Right Angle

Part Number	Number of Contacts	A Max.	B	Description
508-AG7D	8	.400 (10,16)	One Hole Only	Right angle mtg., printed circuit
514-AG7D	14	.700 (17,78)	.400 (10,16)	
516-AG7D	16	.800 (20,32)	.500 (12,70)	
518-AG7D	18	.900 (22,86)	.600 (15,24)	
520-AG7D	20	1.000 (25,40)	.500 (12,70)	

PART NUMBER / STANDARD CONFIGURATIONS

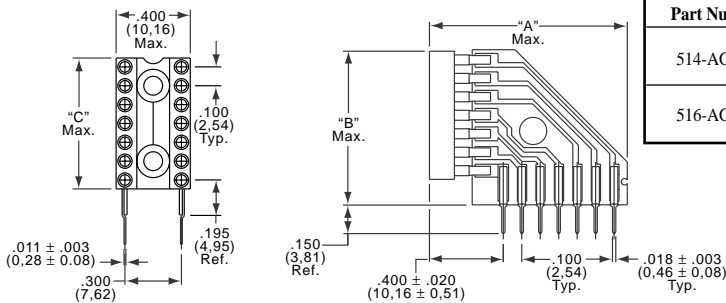


Figure 4
Vertical Right Angle

Part Number	Number of Contacts	"A" Max.	"B" Max.	"C" Max.
514-AG21D	14	1.100 (27,49)	.900 (22,86)	.700 (17,78)
516-AG21D	16	1.220 (30,99)	1.010 (25,65)	.800 (20,32)

Note: Before ordering, see Cross Reference in Section 15 for equivalent Tyco Electronics Part Number.