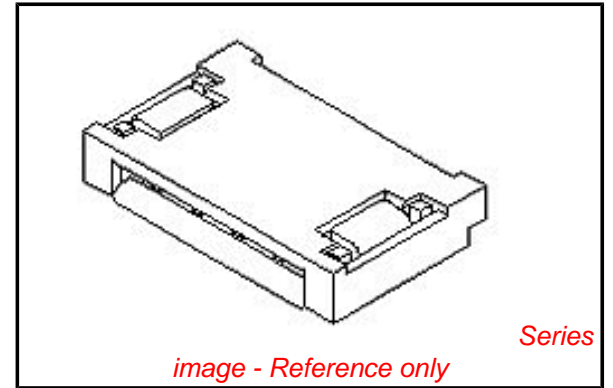


**PLEASE CHECK WWW.MOLEX.COM FOR LATEST PART INFORMATION**

**Part Number:** [51281-2094](#)  
**Status:** **Active**  
**Overview:** [FFC-FPC \(SMT\)](#)  
**Description:** 0.50mm Pitch FFC/FPC Connector, SMT, Right Angle, Non-ZIF, Dual Contact Style, 1.20mm Mated Height, 20 Circuits, Lead-Free, Gold (Au) Plating

**Documents:**

[3D Model](#) [Packaging Specification SPK-51281-001 \(PDF\)](#)  
[Drawing \(PDF\)](#) [RoHS Certificate of Compliance \(PDF\)](#)  
[Product Specification PS-51281-003 \(PDF\)](#)



*image - Reference only*

**General**

Product Family	FFC/FPC Connectors
Series	<a href="#">51281</a>
Overview	<a href="#">FFC-FPC (SMT)</a>
Product Name	N/A
UPC	822348699957

**Physical**

Circuits (Loaded)	20
Color - Resin	Natural
Contact Position	Dual
Durability (mating cycles max)	20
Entry Angle	90° Angle
Mated Height	1.20mm
Material - Metal	Phosphor Bronze
Material - Plating Mating	Gold
Material - Plating Termination	Tin
Net Weight	119.559/mg
Number of Rows	1
Orientation	Right Angle
PCB Locator	No
PCB Retention	Yes
Packaging Type	Embossed Tape on Reel
Pitch - Mating Interface	0.50mm
Plating min - Mating	0.102µm
Plating min - Termination	1.016µm
Polarized to PCB	Yes
Stackable	No
Surface Mount Compatible (SMC)	N/A
Temperature Range - Operating	-20°C to +85°C
Termination Interface: Style	Surface Mount
Wire/Cable Type	FFC/FPC

**Electrical**

Current - Maximum per Contact	0.5A
Voltage - Maximum	50V

**Material Info**

**Reference - Drawing Numbers**

Packaging Specification	SPK-51281-001
Product Specification	PS-51281-003, RPS-51281-015, RPS-51281-016, RPS-51281-017, RPS-51281-018, RPS-51281-021
Sales Drawing	SD-51281-011, SD-51281-012

**EU RoHS**

**ELV and RoHS Compliant**  
**REACH SVHC Contains SVHC: No**  
**Low-Halogen Status Low-Halogen**

**China RoHS**



**Need more information on product environmental compliance?**

Email [productcompliance@molex.com](mailto:productcompliance@molex.com)  
 For a multiple part number RoHS Certificate of Compliance, [click here](#)

Please visit the [Contact Us](#) section for any non-product compliance questions.

**Search Parts in this Series**

51281Series

This document was generated on 02/04/2013

**PLEASE CHECK [WWW.MOLEX.COM](http://WWW.MOLEX.COM) FOR LATEST PART INFORMATION**