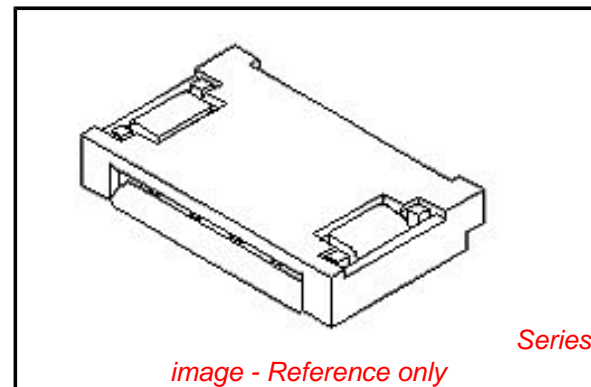


PLEASE CHECK WWW.MOLEX.COM FOR LATEST PART INFORMATION

Part Number: [51281-0794](#)
Status: **Active**
Overview: FFC-FPC (SMT)
Description: 0.50mm Pitch FFC/FPC Connector, SMT, Right Angle, Non-ZIF, Dual Contact Style, 1.20mm Mated Height, 7 Circuits, Lead-Free, Gold (Au) Plating

Documents:

[3D Model](#) [Packaging Specification SPK-51281-001 \(PDF\)](#)
[Drawing \(PDF\)](#) [RoHS Certificate of Compliance \(PDF\)](#)
[Product Specification PS-51281-003 \(PDF\)](#)



General

Product Family	FFC/FPC Connectors
Series	51281
Overview	FFC-FPC (SMT)
Product Name	N/A
UPC	822348700097

Physical

Circuits (Loaded)	7
Color - Resin	Natural
Contact Position	Dual
Durability (mating cycles max)	20
Entry Angle	90° Angle
Mated Height	1.20mm
Material - Metal	Phosphor Bronze
Material - Plating Mating	Gold
Material - Plating Termination	Tin
Net Weight	56.375/mg
Number of Rows	1
Orientation	Right Angle
PCB Locator	No
PCB Retention	Yes
Packaging Type	Embossed Tape on Reel
Pitch - Mating Interface	0.50mm
Polarized to PCB	Yes
Stackable	No
Temperature Range - Operating	-20°C to +85°C
Termination Interface: Style	Surface Mount
Wire/Cable Type	FFC/FPC

Electrical

Current - Maximum per Contact	0.5A
Voltage - Maximum	50V

Material Info

Reference - Drawing Numbers

Packaging Specification	SPK-51281-001
Product Specification	PS-51281-003, RPS-51281-016
Sales Drawing	SD-51281-012

EU RoHS

**ELV and RoHS
Compliant**
**REACH SVHC
Contains SVHC: No**
**Low-Halogen Status
Low-Halogen**

China RoHS



**Need more information on product
environmental compliance?**

Email productcompliance@molex.com
For a multiple part number RoHS Certificate of Compliance, [click here](#)

Please visit the [Contact Us](#) section for any non-product compliance questions.

Search Parts in this Series
51281Series