

PLEASE CHECK WWW.MOLEX.COM FOR LATEST PART INFORMATION

Part Number: [51-25-2011](#)
Status: **Active**
Overview: [LFH™](#)
Description: 1.27mm Pitch LFH™ Matrix 50 Receptacle Cable Kit, Terminal Stick, 15 Circuits

Documents:

[3D Model](#) [Product Specification PS-70928 \(PDF\)](#)
[Drawing \(PDF\)](#) [RoHS Certificate of Compliance \(PDF\)](#)

General

Product Family	I/O Connectors
Series	70985
Application	Wire-to-Board
Comments	Sticks may be trimmed using LFH Stick Preparation Tool Kit 622001100
Component Type	Receptacle
Overview	LFH™
Product Name	LFH™
Type	N/A
UPC	800754387576

Physical

Circuits (Loaded)	15
Circuits (maximum)	15
Lock to Mating Part	None
Material - Metal	Beryllium Copper
Material - Plating Mating	Gold
Material - Plating Termination	Tin
Net Weight	0.538/g
Orientation	Vertical
PCB Retention	N/A
Packaging Type	Tray
Panel Mount	No
Pitch - Mating Interface	1.27mm
Pitch - Termination Interface	1.27mm
Plating min - Mating	0.762µm
Plating min - Termination	2.540µm
Polarized to Mating Part	Yes
Surface Mount Compatible (SMC)	N/A
Temperature Range - Operating	-20°C to +80°C
Termination Interface: Style	Surface Mount
Wire Size AWG	28, 30, 32, 34, 36

Electrical

Current - Maximum per Contact	1A
Shielded	Yes
Voltage - Maximum	40V

Material Info

Old Part Number	A709851001
-----------------	------------

Reference - Drawing Numbers

Product Specification	PS-70928, RPS-70928-002
Sales Drawing	SDA-70985-100*

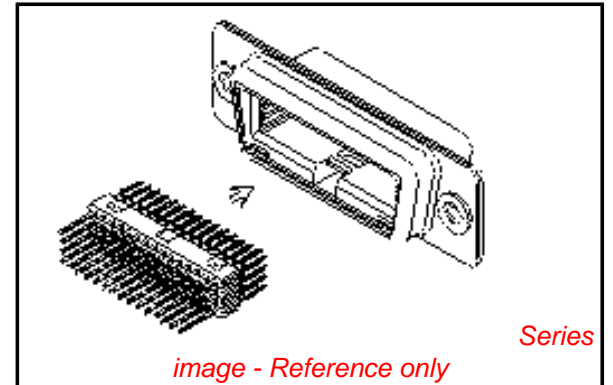


image - Reference only

EU RoHS

ELV and RoHS Compliant

REACH SVHC

Contains SVHC: No Low-Halogen Status Low-Halogen

China RoHS



Need more information on product environmental compliance?

Email productcompliance@molex.com
 For a multiple part number RoHS Certificate of Compliance, [click here](#)

Please visit the [Contact Us](#) section for any non-product compliance questions.

Search Parts in this Series

[70985Series](#)

Mates With

[70929](#)

This document was generated on 11/27/2012

PLEASE CHECK WWW.MOLEX.COM FOR LATEST PART INFORMATION