

IEC Appliance Inlet C14 or C18 with Filter, high attenuation, ECO design, Front- or Rear Side Mounting

**new**



Screw-on mounting



Front side mounting with plastic flange



Screw-on mounting with wires (stranded)



### Approvals and Compliances

#### Description

- Panel Mount :  
Screw-on version from front or rear side, snap-in version from front side, PCB Version from rear side
- 2 Functions :  
Appliance Inlet protection class I or II , Line filter in standard and medical version
- Solder, quick connect or wire (stranded)
- PCB Mounting
- Earth Terminal

#### Unique Selling Proposition

- Very high asymmetrical attenuation
- Various variants
- Metal flange for optimal shielding
- Compact design

#### Characteristics

- Compact filter with high asymmetrical attenuation
- Optimal shielding due to completely closed filter case, unpotted
- Suitable for assembly in metal plated plastic housings
- Suitable for use in equipment according to IEC/UL 60950
- Suitable for use in medical equipment according to IEC/UL 60601-1

#### Other versions on request

- Snap-in for panel thickness >2mm to 3mm
- flexible wire with various lengths
- Class X1- and Y1-capacitors for enhanced withstand voltage
- Variant with notch for V-Lock mating Cordsets
- Variant with plastic flange for front mounting

#### Weblinks

[pdf datasheet](#), [html-datasheet](#), [General Product Information](#), [Distributor Stock-Check](#), [Accessories](#), [Detailed request for product](#), [Microsite](#)

Newly available variants corresponding to V-Lock mating cordset. The connector is equipped with a notch intended for use with the latching cordset. The cord latching system prevents against accidental removal of the cordset.

#### Technical Data

Ratings IEC	1 - 10A @ Ta 40 °C / 250VAC; 50Hz	appliance inlet/-outlet	C14 / C18 acc. to IEC 60320-1, UL 498, CSA C22.2 no. 42 (for cold conditions) pin-temperature 70 °C, 10A, Protection Class I or II
Ratings UL/CSA	1 - 15A @ Ta 40 °C / 250VAC; 60Hz	Line Filter	Standard and Medical Version, IEC 60939, UL 1283, CSA C22.2 no. 8 <a href="#">Technical Details</a>
Leakage Current	standard < 0.5mA (250V / 60Hz) medical < 5 µA (250V / 60 Hz)	MTBF	> 3'000'000h acc. to MIL-HB-217 F
Dielectric Strength	> 1.7kVDC between L-N > 2.7kVDC between L/N-PE Test voltage (2 sec)		
Allowable Operation Temperature	-25 °C to 85 °C		
Climatic Category	25/085/21 acc. to IEC 60068-1		
IP-Protection	from front side IP 40 acc. to IEC 60529		
Protection Class	Suitable for appliances with protection class I or II acc. to IEC 61140		
Terminal	Quick connect terminals 6.3 x 0.8 mm Solder terminals Flexible wire AWG18 (15A AWG16), 150 mm		
Panel Thickness S	Screw: max 8 mm Mounting screw torque max 0.5Nm Snap-in: 0.8mm to 2 mm (all steps with one variant)		
Material: Housing	Thermoplast / steel tin-plated, black / metallic, UL 94V-0		



#### Approvals and Compliances

Detailed information on product approvals, code requirements, usage instructions and detailed test conditions can be looked up in [Details about Approvals](#)

## Approvals








The approval mark is used by the testing authorities to certify compliance with the safety requirements placed on electronic products.

Approval Reference Type: 5123

Approval Logo	Certificates	Certification Body	Description
	<a href="#">VDE Approvals</a>	VDE	Certificate Number: 40016382
	<a href="#">UL Approvals</a>	UL	UL File Number: E72928



## Product standards

Product standards that are referenced

Organization	Design	Standard	Description
	Designed according to	IEC 60320-1	Appliance couplers for household and similar general purposes
	Designed according to	IEC 60939	Passive filters for suppressing electromagnetic interference
	Designed according to	IEC 61058-1	Switches for appliances. Part 1. General requirements
	Designed according to	UL 498	Standard for Attachment Plugs and Receptacles
	Designed according to	UL 1283	Electromagnetic interference filters
	Designed according to	CSA C22.2 no. 42	General Use Receptacles, Attachment Plugs, and Similar Wiring Devices
	Designed according to	CSA C22.2 no. 8	Electromagnetic interference (EMI) filters







## Application standards

Application standards where the product can be used

Organization	Design	Standard	Description
	Designed for applications acc.	IEC/UL 60950	IEC 60950-1 includes the basic requirements for the safety of information technology equipment.
	Designed for applications acc.	IEC 60601-1	Medical electrical equipment - Part 1: General requirements for basic safety and essential performance

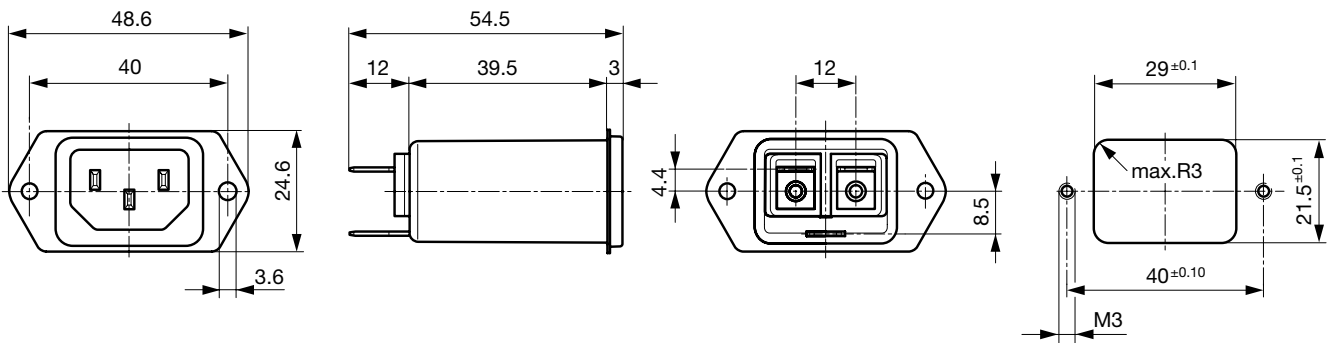
## Compliances

The product complies with following Guide Lines

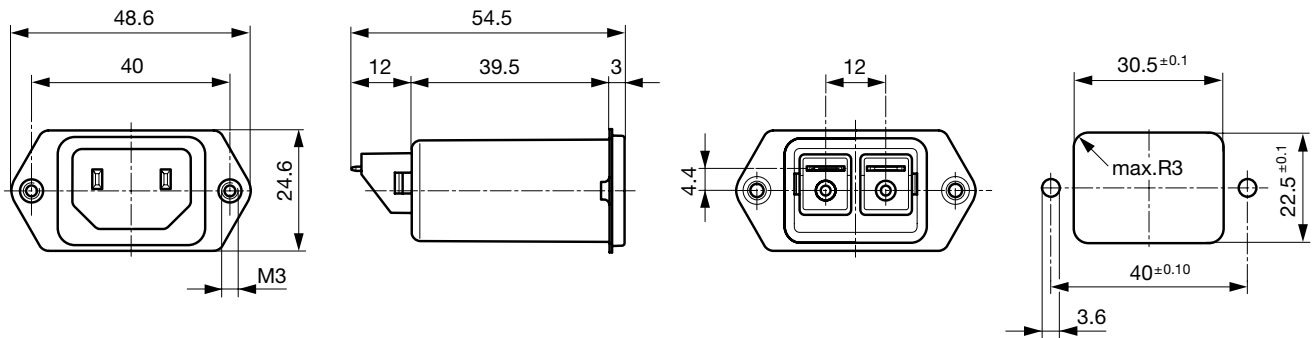
Identification	Details	Initiator	Description
	<a href="#">CE declaration of conformity</a>	SCHURTER AG	The CE marking declares that the product complies with the applicable requirements laid down in the harmonisation of Community legislation on its affixing in accordance with EU Regulation 765/2008.
	RoHS	SCHURTER AG	EU Directive RoHS 2011/65/EU
	China RoHS	SCHURTER AG	The law SJ / T 11363-2006 (China RoHS) has been in force since 1 March 2007. It is similar to the EU directive RoHS.
	REACH	SCHURTER AG	On 1 June 2007, Regulation (EC) No 1907/2006 on the Registration, Evaluation, Authorization and Restriction of Chemicals 1 (abbreviated as "REACH") entered into force.
	MicrositeV-Lock	SCHURTER AG	V-Lock system are based on a matching plug-dose combination. The connector is equipped with a notch intended for use with the latching cordset. The cord latching system prevents against accidental removal of the cordset.
	Medical Equipment	SCHURTER AG	Suitable for use in medical equipment according to IEC/UL 60601-1

**Dimensions [mm]**

Front or rear side mounting for screws with nuts or blind rivets (panel cutout for frontside mounting)

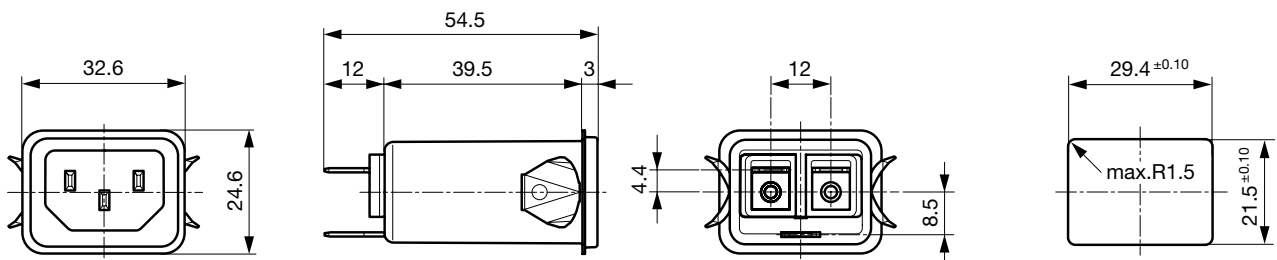


Rear side mounting with pre-formed, threaded holes for M3 screws (panel cutout for rear side mounting)



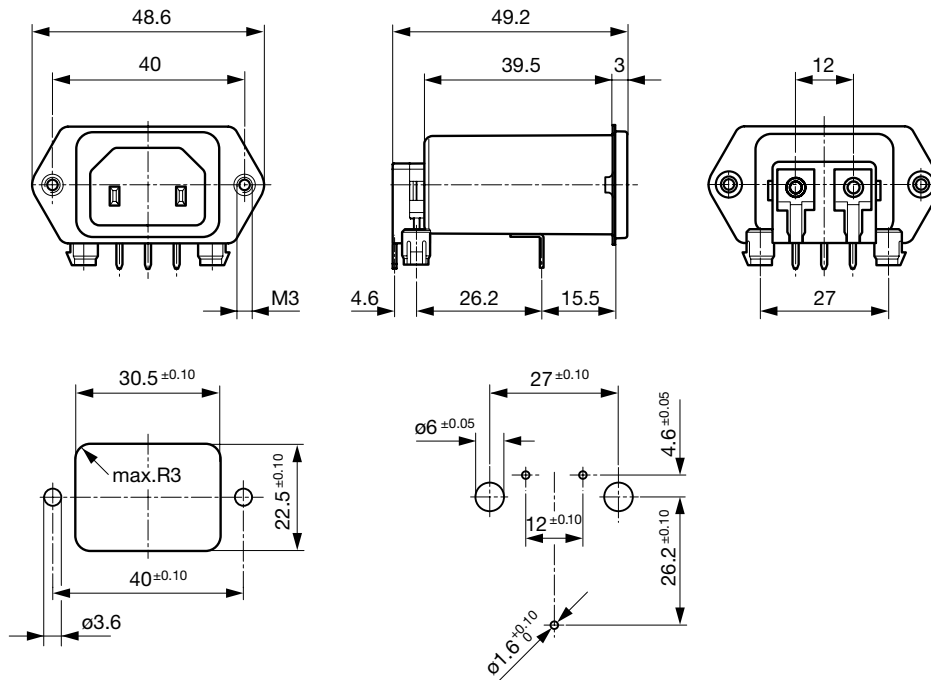
Dimensions for class II version also apply to class I

Snap-in mounting from front side

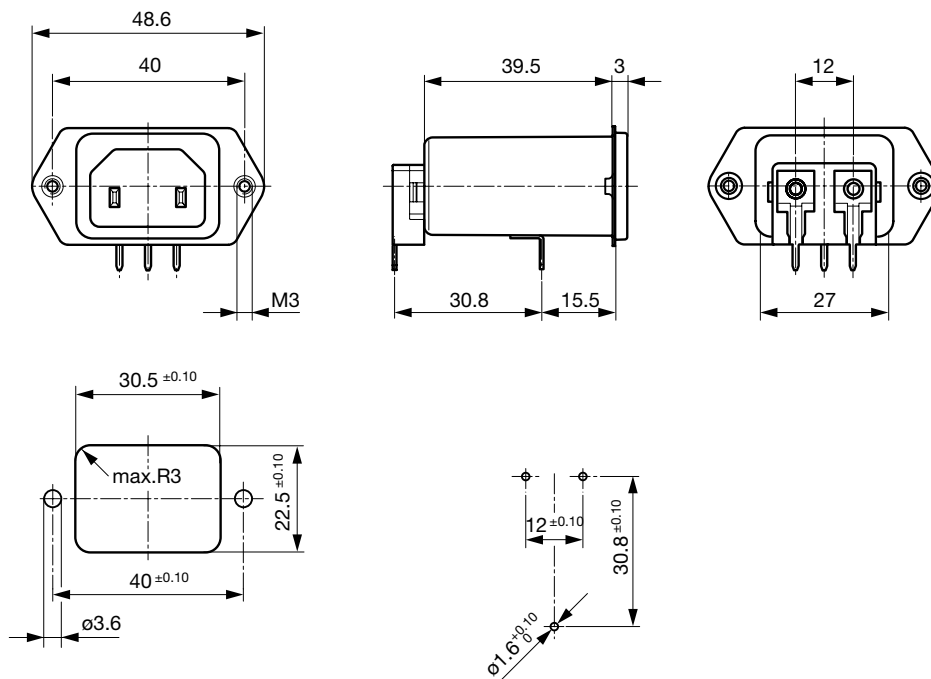


Dimensions for class I version also apply class II

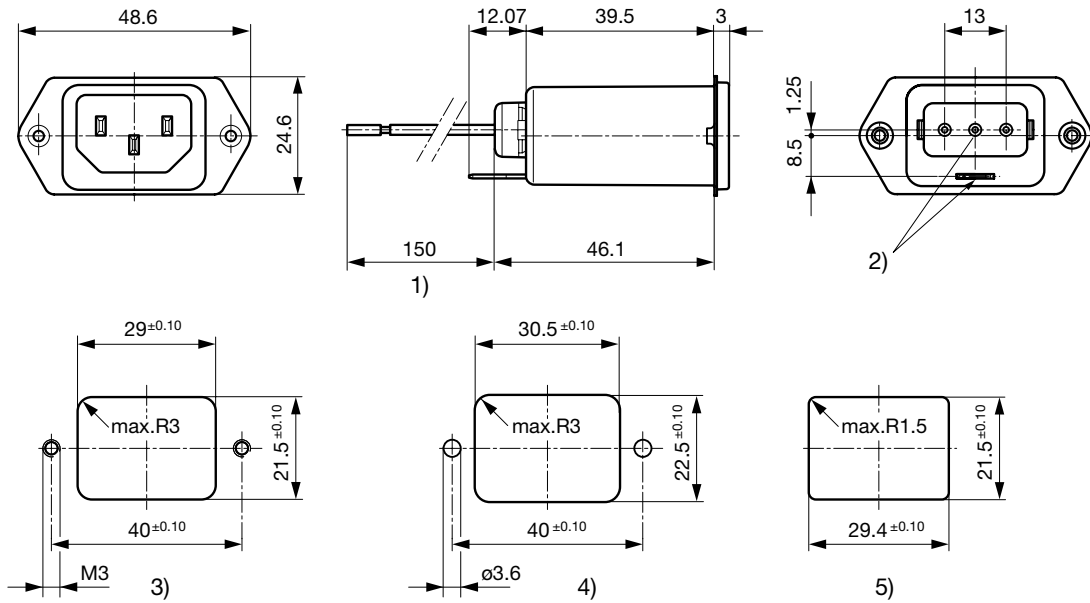
PCB snap-in rear side mounting, protection class II



PCB rear side mounting, protection class II



Screw and snap-in mounting with flexible wire



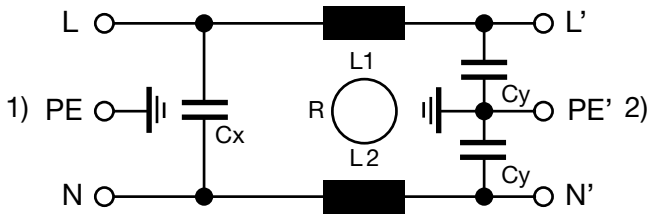
- 1) Flexible wire, standard length 150 mm or special length on request
- 2) Nonexistent for protection class II
- 3) Panel cut-out screw-on version, back-side mounting
- 4) Panel cut-out screw-on version, front- or back-side mounting
- 5) Panel cut-out snap-in version, front-side mounting

### Technical Data of Filter-Components

Rated Current [A]	Filter-Type	Inductances L [mH]	Capacitance CX [nF]	Capacitance CY [nF]	R [MΩ]
1	Standard Version	2 x 20	100	2.2	-
2	Standard Version	2 x 9	100	2.2	-
4	Standard Version	2 x 3.4	100	2.2	-
6	Standard Version	2 x 1.6	100	2.2	-
10	Standard Version	2 x 0.65	100	2.2	-
15	Standard Version	2 x 0.2	100	2.2	-
1	Medical Version (M5)	2 x 20	100	-	1
2	Medical Version (M5)	2 x 9	100	-	1
4	Medical Version (M5)	2 x 3.4	100	-	1
6	Medical Version (M5)	2 x 1.6	100	-	1
10	Medical Version (M5)	2 x 0.65	100	-	1
15	Medical Version (M5)	2 x 0.2	100	-	1
6	Medical Version (M80)	2 x 1.6	100	0.47	1
1	Medical (M5)	2 x 20	100	-	1
2	Medical (M5)	2 x 9	100	-	1
4	Medical (M5)	2 x 3.4	100	-	1
6	Medical (M5)	2 x 1.6	100	-	1
10	Medical (M5)	2 x 0.65	100	-	1
15	Medical (M5)	2 x 0.2	100	-	1

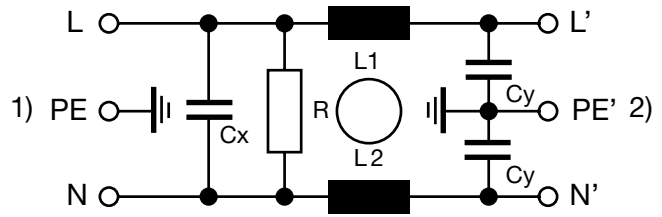
Diagrams

Standard version



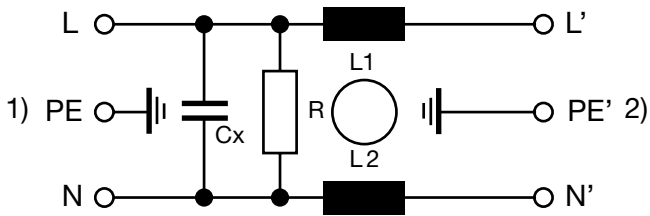
1) Line  
 2) Load

Bleed resistor version / medical version M80



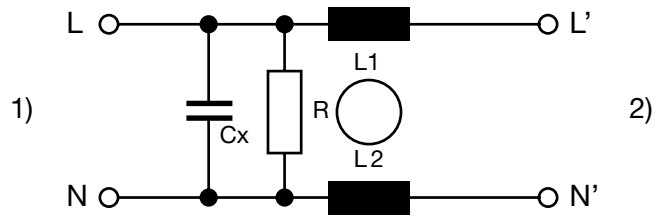
1) Line  
 2) Load

Medical version M5



1) Line  
 2) Load

Medical version M5, prot. class II

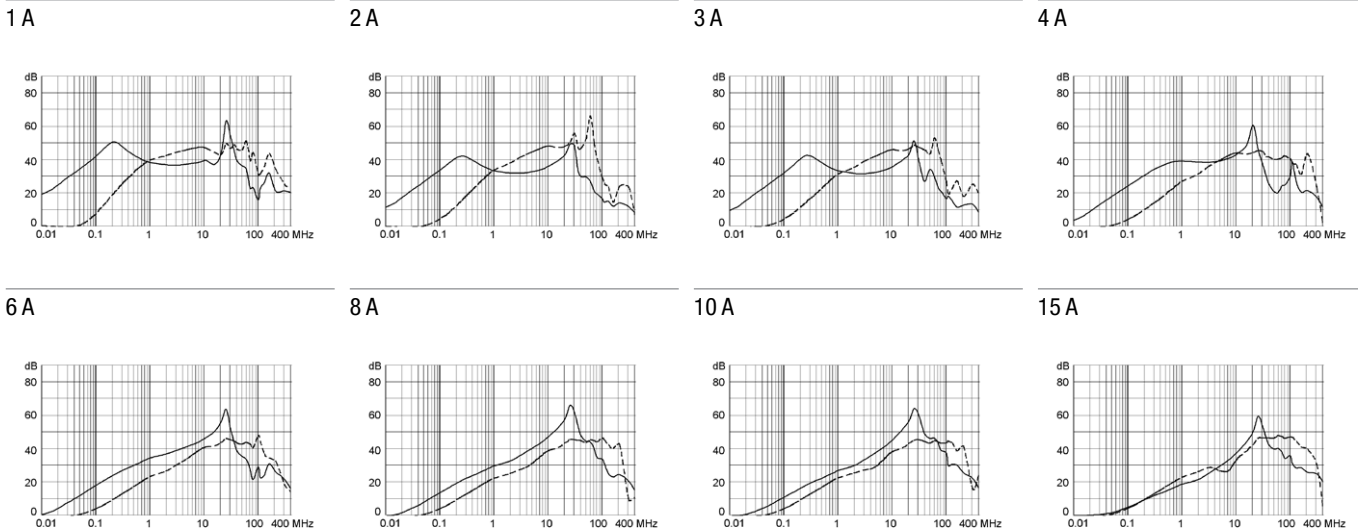


1) Line  
 2) Load

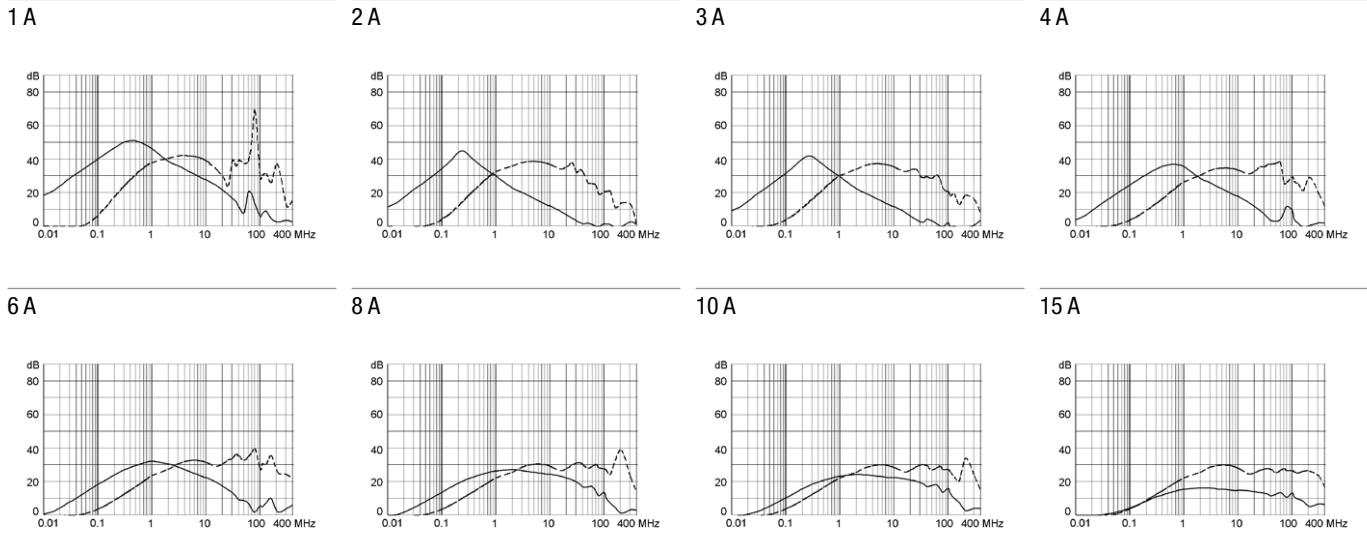
Attenuation Loss

--- 50Ω differential mode    \_\_\_ 50Ω common mode

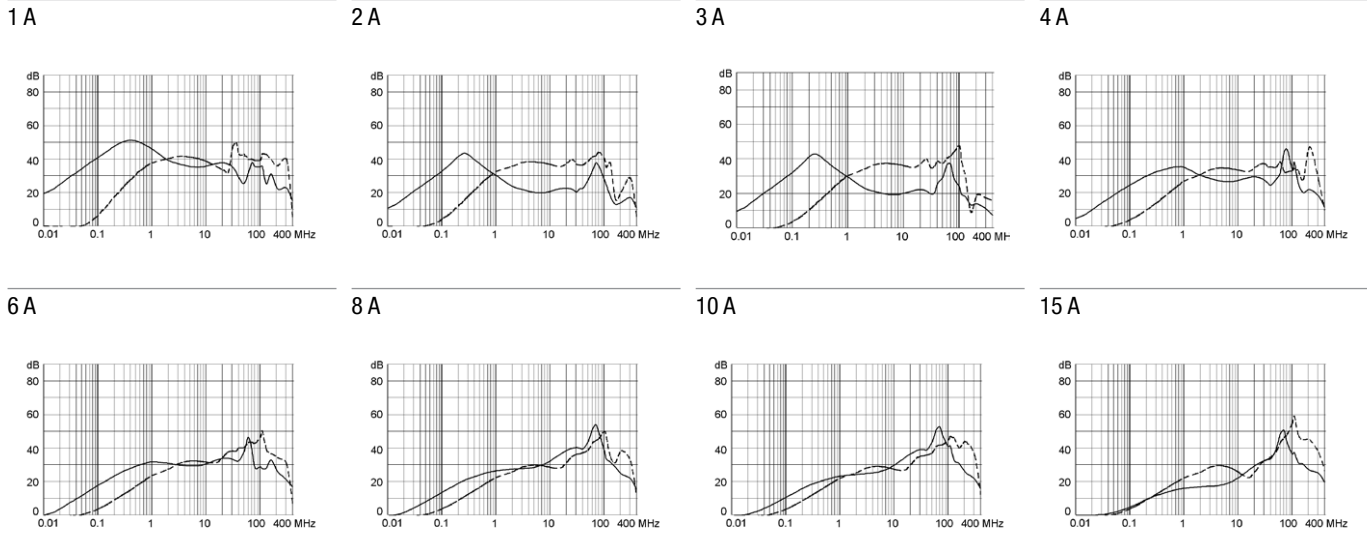
Standard version



Medical version (M5)



Medical version (M80)



All Variants

Rated Current [A]	Filter-Type	Mounting	Mounting side	Terminal	Protection Class	V-Lock	Order Number
1	Standard Version	Snap-in	Front Side	Quick connect	I		5123.2000.0
1	Standard Version	Snap-in	Front Side	Quick connect	I	●	5123.2000.0.21
2	Standard Version	Snap-in	Front Side	Quick connect	I		5123.2001.0
4	Standard Version	Snap-in	Front Side	Quick connect	I		5123.2003.0
6	Standard Version	Snap-in	Front Side	Quick connect	I		5123.2004.0
10	Standard Version	Snap-in	Front Side	Quick connect	I		5123.2006.0
15	Standard Version	Snap-in	Front Side	Quick connect	I		5123.2007.0
6	Standard Version	Screw/PCB	Rear Side	PCB pin and earth	I		5123.4074.0
1	Standard Version	Screw	Rear Side	Quick connect	I	●	5123.1000.0.21
2	Standard Version	Screw	Rear Side	Quick connect	I	●	5123.1001.0.21
4	Standard Version	Screw	Rear Side	Quick connect	I	●	5123.1003.0.21
6	Standard Version	Screw	Rear Side	Quick connect	I	●	5123.1004.0.21
10	Standard Version	Screw	Rear Side	Quick connect	I	●	5123.1006.0.21
10	Standard Version	Screw	Rear Side	Flexible wire con-	I		5123.1046.0
15	Standard Version	Screw	Rear Side	Quick connect	I	●	5123.1007.0.21
1	Standard Version	Screw	Front-/Rear-Side	Quick connect	I		5123.0000.0

Rated Current [A]	Filter-Type	Mounting	Mounting side	Terminal	Protection Class	V-Lock	Order Number
2	Standard Version	Screw	Front-/Rear-Side	Quick connect	I		5123.0001.0
4	Standard Version	Screw	Front-/Rear-Side	Quick connect	I		5123.0003.0
4	Standard Version	Screw	Front-/Rear-Side	Flexible wire	I		5123.0233.0
6	Standard Version	Screw	Front-/Rear-Side	Quick connect	I		5123.0004.0
10	Standard Version	Screw	Front-/Rear-Side	Quick connect	I		5123.0006.0
15	Standard Version	Screw	Front-/Rear-Side	Quick connect	I		5123.0007.0
1	Medical Version (M5)	Screw	Rear Side	Quick connect	I	●	5123.1300.0.21
2	Medical Version (M5)	Screw	Rear Side	Quick connect	I	●	5123.1301.0.21
4	Medical Version (M5)	Screw	Rear Side	Quick connect	I	●	5123.1303.0.21
6	Medical Version (M5)	Screw	Rear Side	Quick connect	I	●	5123.1304.0.21
10	Medical Version (M5)	Screw	Rear Side	Quick connect	I	●	5123.1306.0.21
15	Medical Version (M5)	Screw	Rear Side	Quick connect	I	●	5123.1307.0.21
1	Medical Version (M5)	Screw	Front-/Rear-Side	Quick connect	I		5123.0300.0
2	Medical Version (M5)	Screw	Front-/Rear-Side	Quick connect	I		5123.0301.0
4	Medical Version (M5)	Screw	Front-/Rear-Side	Quick connect	I		5123.0303.0
6	Medical Version (M5)	Screw	Front-/Rear-Side	Quick connect	I		5123.0304.0
10	Medical Version (M5)	Screw	Front-/Rear-Side	Quick connect	I		5123.0306.0
15	Medical Version (M5)	Screw	Front-/Rear-Side	Quick connect	I		5123.0307.0
6	Medical Version (M80)	Screw	Front-/Rear-Side	Quick connect	I		5123.0504.0
1	Medical (M5)	Snap-in	Front Side	Quick connect	I		5123.2300.0
2	Medical (M5)	Snap-in	Front Side	Quick connect	I		5123.2301.0
4	Medical (M5)	Snap-in	Front Side	Quick connect	I		5123.2303.0
6	Medical (M5)	Snap-in	Front Side	Quick connect	I		5123.2304.0
10	Medical (M5)	Snap-in	Front Side	Quick connect	I		5123.2306.0
15	Medical (M5)	Snap-in	Front Side	Quick connect	I		5123.2307.0

Availability for all products can be searched real-time: <https://www.schurter.com/en/Stock-Check/Stock-Check-SCHURTER>

- 15 A version only according UL/CSA

- Type for screw-on mounting from rear side has pre-threaded holes for M3 screws

**Packaging unit** 10 Pcs

## Accessories

### Description



**Wire Harness**  
Wire harness for SCHURTER products



**Assorted Covers**  
Rear Cover



Cord retaining kits  
 Cord retaining strain relief

## Mating Outlets/Connectors

### Category / Description

#### Appliance Outlet Overview complete



IEC Appliance Outlet F, Screw-on Mounting, Front Side, Solder Terminal	4787
IEC Appliance Outlet F, Snap-in Mounting, Front Side, Solder or Quick-connect Terminal	4788
IEC Appliance Outlet F or H, Screw-on Mounting, Front Side, Solder, PCB or Quick-connect Terminal	5091

[Appliance Outlet further types to 5123](#)

#### Connector Overview complete



4782 Mounting: Power Cord, 3 x 1 mm <sup>2</sup> / 3 x 18 AWG, Cable, Connector: IEC C13	4782
4022 Mounting: Power Supply Cord, 3 x 1.5 mm <sup>2</sup> , Screw clamps, Connector: IEC C13	4022
4785 Mounting: Power Cord, 3 x 1 mm <sup>2</sup> / 3 x 18 AWG, Cable, Connector: IEC C13	4785
4300-06 Mounting: Power Cord, 3 x 1 mm <sup>2</sup> / 3 x 18 AWG, Cable, Connector: IEC C13	4300-06
4012 Mounting: Power Supply Cord, 3 x 1.5 mm <sup>2</sup> , Screw clamps, Connector: IEC C13	4012

[Connector further types to 5123](#)

## Mating Outlets/Connectors shuttered

#### Power Cord Overview complete



VAC13KS, Overview, diverse Connector IEC C13, cord end:	VAC13KS
Power cord with IEC connector C17, V-Lock, straight	VAC17KS

[Power Cord further types to 5123](#)