

PLEASE CHECK WWW.MOLEX.COM FOR LATEST PART INFORMATION

Part Number: [51143-0205](#)
Status: **Active**
Description: 6.50mm Wire-to-Board Retainer, 2 Circuits

Documents:

3D Model	Product Specification PS-51142-003 (PDF)
Drawing (PDF)	RoHS Certificate of Compliance (PDF)
Product Specification PS-51142-002 (PDF)	

General

Product Family	Accessories
Series	51143
Component Type	Retainer
Product Name	N/A
UPC	800753323698

Physical

Circuits (Loaded)	2
Color - Resin	Gray
Material - Resin	Polyester
Net Weight	303.100/mg
Number of Rows	1
Packaging Type	Bag

Material Info

Reference - Drawing Numbers

Product Specification	PS-51142-002, PS-51142-003, RPS-51142-001, RPS-51142-002, RPS-51142-004, RPS-51142-005, RPS-51142-006, RPS-51142-007, RPS-51142-008
Sales Drawing	SD-51143-**05

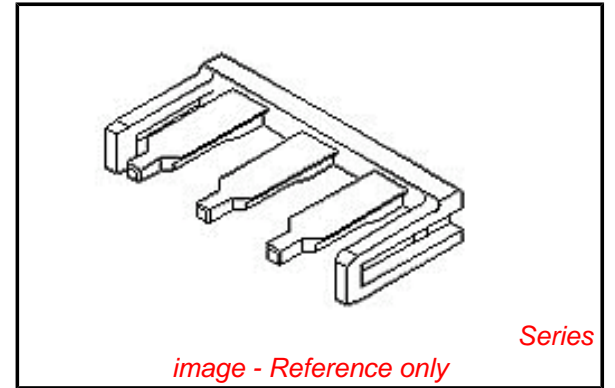


image - Reference only

EU RoHS

**ELV and RoHS
Compliant**

REACH SVHC

Not Reviewed

Low-Halogen Status

Not Low-Halogen

China RoHS



**Need more information on product
environmental compliance?**

Email productcompliance@molex.com
For a multiple part number RoHS Certificate of
Compliance, [click here](#)

Please visit the [Contact Us](#) section for any
non-product compliance questions.

Search Parts in this Series

51143Series