

PLEASE CHECK WWW.MOLEX.COM FOR LATEST PART INFORMATION

Part Number: [51143-0105](#)
Status: **Active**
Description: Wire-to-Board Retainer, 1 Circuit

Documents:

3D Model	Product Specification PS-51142-003 (PDF)
Drawing (PDF)	RoHS Certificate of Compliance (PDF)
Product Specification PS-51142-002 (PDF)	

General

Product Family	Accessories
Series	51143
Component Type	Retainer
Product Name	N/A
UPC	800753323681

Physical

Circuits (Loaded)	1
Color - Resin	Gray
Material - Resin	Polyester
Net Weight	191.600/mg
Number of Rows	1
Packaging Type	Bag

Material Info

Reference - Drawing Numbers

Product Specification	PS-51142-002, PS-51142-003, RPS-51142-002, RPS-51142-004, RPS-51142-005, RPS-51142-007, RPS-51142-008
Sales Drawing	SD-51143-**05

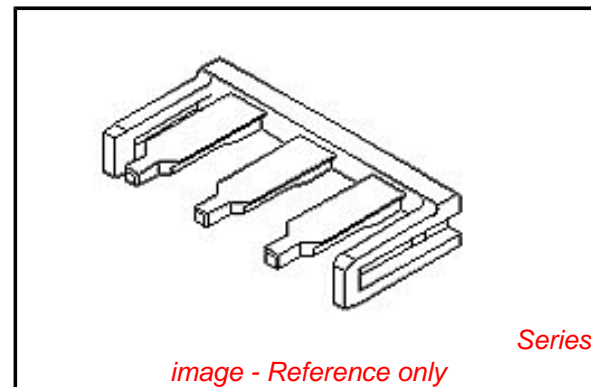


image - Reference only

EU RoHS

**ELV and RoHS
Compliant**
**REACH SVHC
Contains SVHC: No**
**Low-Halogen Status
Not Low-Halogen**

China RoHS



**Need more information on product
environmental compliance?**

Email productcompliance@molex.com
 For a multiple part number RoHS Certificate of
 Compliance, [click here](#)

Please visit the [Contact Us](#) section for any
 non-product compliance questions.

Search Parts in this Series
 51143Series