

**PLEASE CHECK WWW.MOLEX.COM FOR LATEST PART INFORMATION**

**Part Number:** [51052-0500](#)  
**Status:** **Active**  
**Description:** 2.50mm Pitch Cable Holder, Vertical, for Ribbon Cable, 5 Circuits

**Documents:**

<a href="#">3D Model</a>	<a href="#">Product Specification PS-51052-002 (PDF)</a>
<a href="#">Drawing (PDF)</a>	<a href="#">RoHS Certificate of Compliance (PDF)</a>
<a href="#">Product Specification PS-51052-001 (PDF)</a>	

**General**

Product Family	Ribbon Cable / Wire Trap Connectors
Series	<a href="#">51052</a>
Component Type	One Piece
Glow-Wire Compliant	No
Product Name	Board-In, Cable Holder
UPC	800753574489

**Physical**

Circuits (Loaded)	5
Color - Resin	Natural
Entry Angle	Vertical
Lock to Mating Part	None
Material - Plating Mating	N/A
Material - Resin	Nylon
Net Weight	187.500/mg
Number of Rows	1
PCB Retention	Yes
PCB Thickness - Recommended	1.60mm
Packaging Type	Bag
Pitch - Mating Interface	2.50mm
Pitch - Termination Interface	2.50mm
Polarized to Mating Part	N/A
Polarized to PCB	No
Stackable	No
Surface Mount Compatible (SMC)	No
Temperature Range - Operating	-40°C to +105°C
Wire Insulation Diameter	1.70mm max.
Wire Size AWG	24, 26
Wire/Cable Type	Ribbon Cable

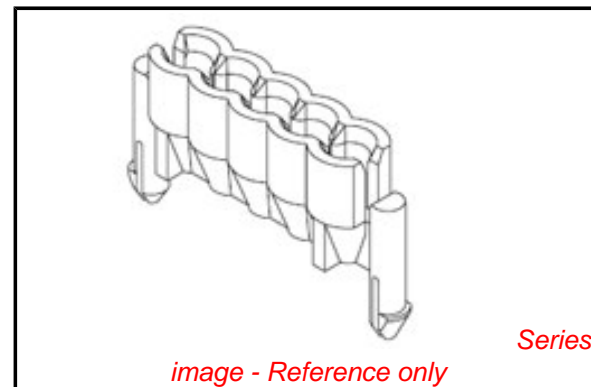
**Electrical**

Current - Maximum per Contact	N/A
Voltage - Maximum	N/A

**Material Info**

**Reference - Drawing Numbers**

Product Specification	PS-51052-001, PS-51052-002, RPS-51052-003
Sales Drawing	SD-51052-001



*image - Reference only*

**EU RoHS**

**ELV and RoHS Compliant**  
**REACH SVHC**  
**Contains SVHC: No**  
**Low-Halogen Status**  
**Low-Halogen**

**China RoHS**



**Need more information on product environmental compliance?**

Email [productcompliance@molex.com](mailto:productcompliance@molex.com)  
 For a multiple part number RoHS Certificate of Compliance, [click here](#)

Please visit the [Contact Us](#) section for any non-product compliance questions.

**Search Parts in this Series**

[51052Series](#)

**Mates With**

N/A

**Use With**

Topcoated Ribbon Cable