

PLEASE CHECK WWW.MOLEX.COM FOR LATEST PART INFORMATION

Part Number: **51052-0400**
Status: **Active**
Description: 2.50mm Pitch Cable Holder, Vertical, for Ribbon Cable, 4 Circuits

Documents:

[3D Model](#) [Product Specification PS-51052-002 \(PDF\)](#)
[Drawing \(PDF\)](#) [RoHS Certificate of Compliance \(PDF\)](#)
[Product Specification PS-51052-001 \(PDF\)](#)

General

Product Family Ribbon Cable / Wire Trap Connectors
Series 51052
Component Type One Piece
Glow-Wire Compliant No
Product Name Board-In, Cable Holder
UPC 800753574472

Physical

Circuits (Loaded) 4
Color - Resin Natural
Entry Angle Vertical
Lock to Mating Part None
Material - Plating Mating N/A
Material - Resin Nylon
Net Weight 154.000/mg
Number of Rows 1
PCB Retention Yes
PCB Thickness - Recommended 1.60mm
Packaging Type Bag
Pitch - Mating Interface 2.50mm
Pitch - Termination Interface 2.50mm
Polarized to Mating Part N/A
Polarized to PCB No
Stackable No
Surface Mount Compatible (SMC) No
Temperature Range - Operating -40°C to +105°C
Wire Insulation Diameter 1.70mm max.
Wire Size AWG 24, 26
Wire/Cable Type Ribbon Cable

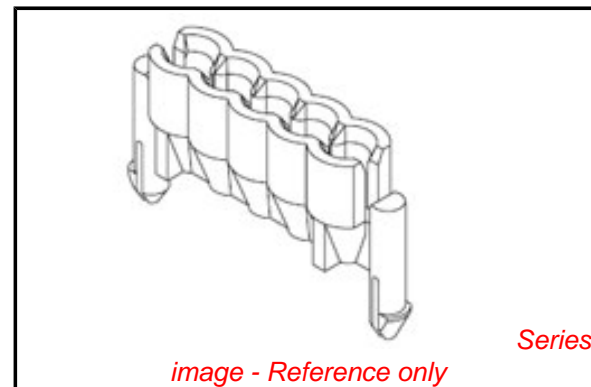
Electrical

Current - Maximum per Contact N/A
Voltage - Maximum N/A

Material Info

Reference - Drawing Numbers

Product Specification PS-51052-001, PS-51052-002, RPS-51052-003
Sales Drawing SD-51052-001



EU RoHS

ELV and RoHS Compliant
REACH SVHC
Contains SVHC: No
Low-Halogen Status
Low-Halogen

China RoHS



Need more information on product environmental compliance?

Email productcompliance@molex.com
For a multiple part number RoHS Certificate of Compliance, [click here](#)

Please visit the [Contact Us](#) section for any non-product compliance questions.

Search Parts in this Series

51052Series

Mates With

N/A

Use With

Topcoated Ribbon Cable