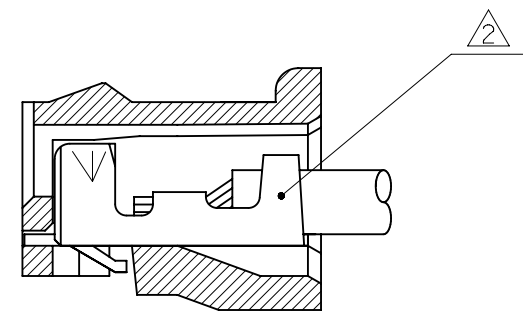
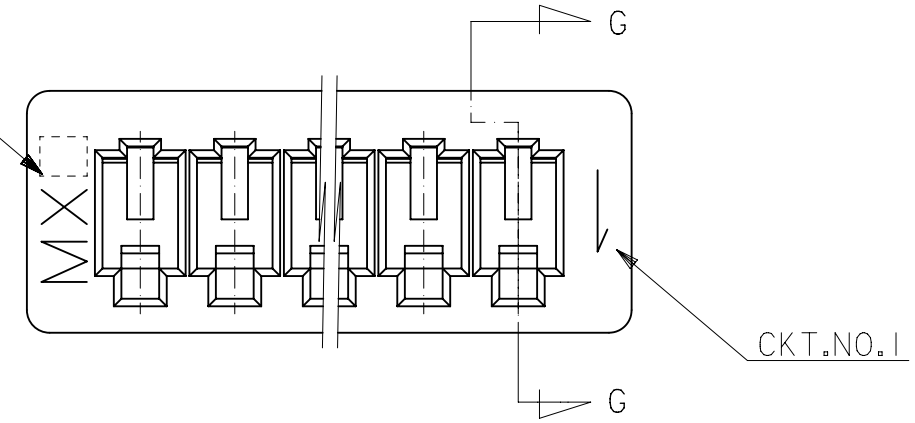


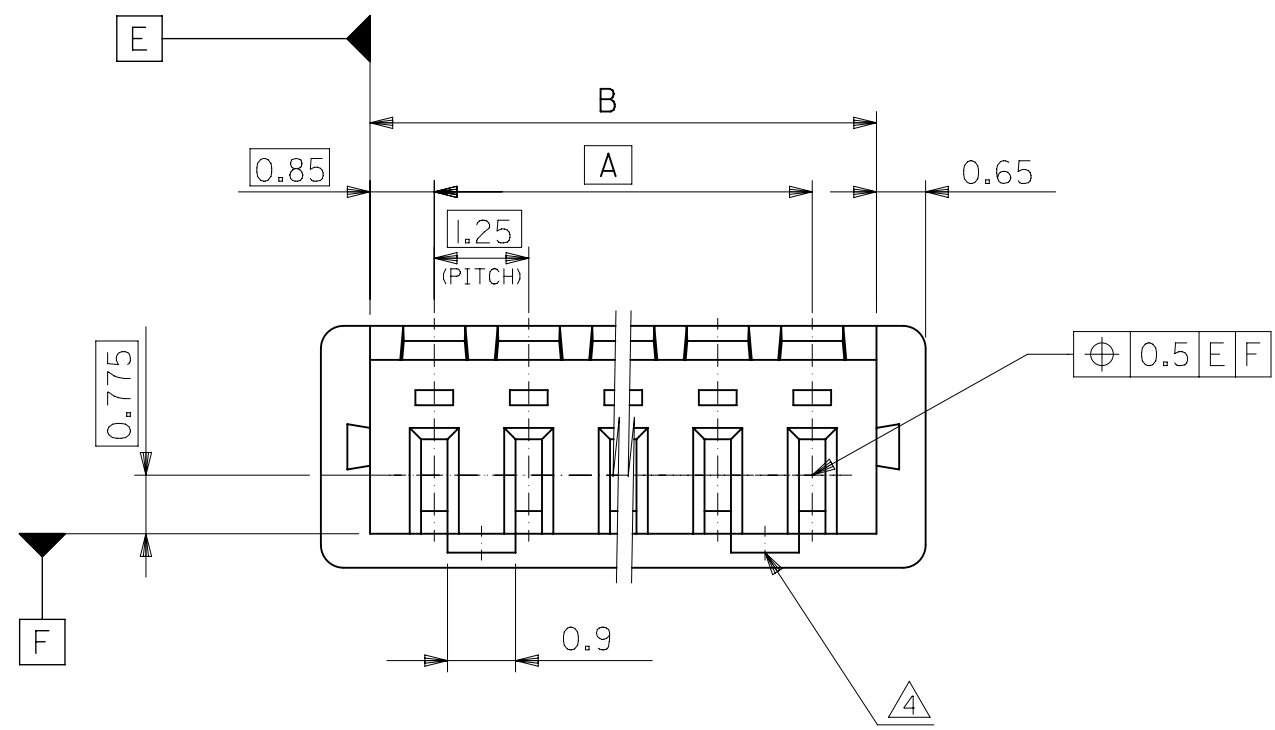
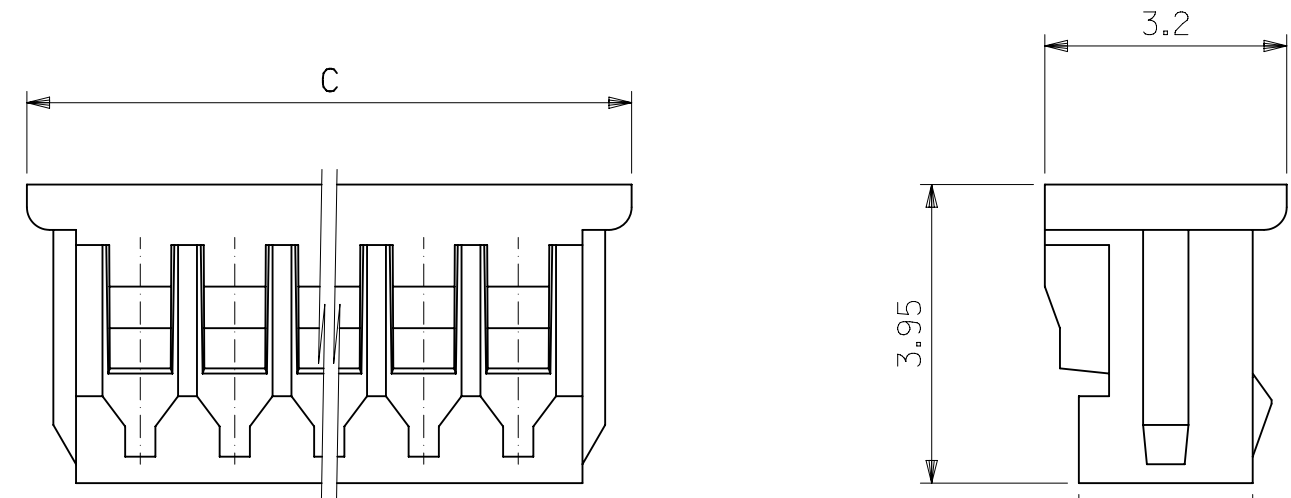
TRADE MARK



SECT. G-G

NOTES

- 1. MATERIAL : POLYBUTYLENE, UL94V-0, NON-GRASS FILLED.
- △ APPLICABLE TERMINAL : 50058 SERIES
- 3. MATE WITH : 53047, 53048, 53261, 53398 SERIES
- △ LOCKING WINDOW : ONE PLACE FOR 2 & 3 CKT. AND TWO PLACES FOR MORE THAN 3 CKT.

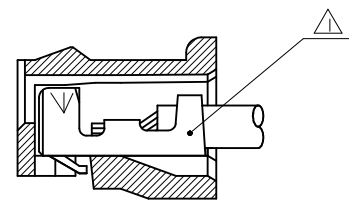
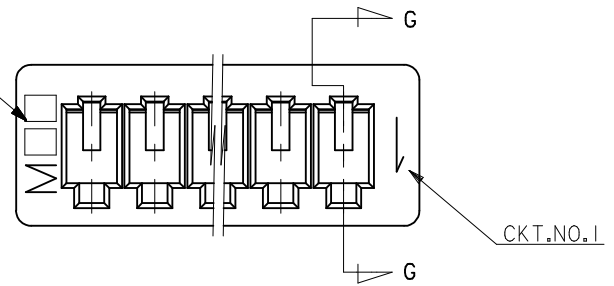


19.25	17.95	16.25	↑ 1430	↑ -1430	14
11.75	10.45	8.75	0830	-0830	8
9.25	7.95	6.25	0630	-0630	6
8.00	6.70	5.00	↓ 0530	↓ -0530	5
5.50	4.20	2.50	510210330	51021-0330	3
C	B	A	EDP NO.	ENG. NO.	CKTS.

THIS DRAWING CONTAINS INFORMATION THAT IS PROPRIETARY TO MOLEX ELECTRONIC TECHNOLOGIES, LLC AND SHOULD NOT BE USED WITHOUT WRITTEN PERMISSION

DIMENSION UNITS	SCALE	CURRENT REV DESC: OBSOLETE PART NUMBERS AS PER PCN#509983	molex		
MM	10:1	EC NO: 663026			
GENERAL TOLERANCES (UNLESS SPECIFIED)			PRODUCT CUSTOMER DRAWING		
ANGLE	±3°	4 PLACES ±	DRWN: SKANDB	2021/04/07	DOCUMENT NUMBER
30 OVER	±0.3	3 PLACES ±	CHK'D: GGA	2021/05/13	
10 OVER 30 UNDER	±0.25	2 PLACES ±	APPR: GGA	2021/05/13	DOC PART
10 UNDER	±0.2	1 PLACE ±	INITIAL REVISION:	2003/08/06	REVISION
GENERAL TOLERANCES		0 PLACES ±	DRWN: KSKIM		SD-51021-001
		ANGULAR TOL ± 0.5	APPR: CWLEE		PSD
		DRAFT WHERE APPLICABLE MUST REMAIN WITHIN DIMENSIONS	THIRD ANGLE PROJECTION	DRAWING	001
			B-SIZE	SERIES	B1
			51021	MATERIAL NUMBER	1 OF 1
			SEE TABLE	CUSTOMER	
			GENERAL MARKET		

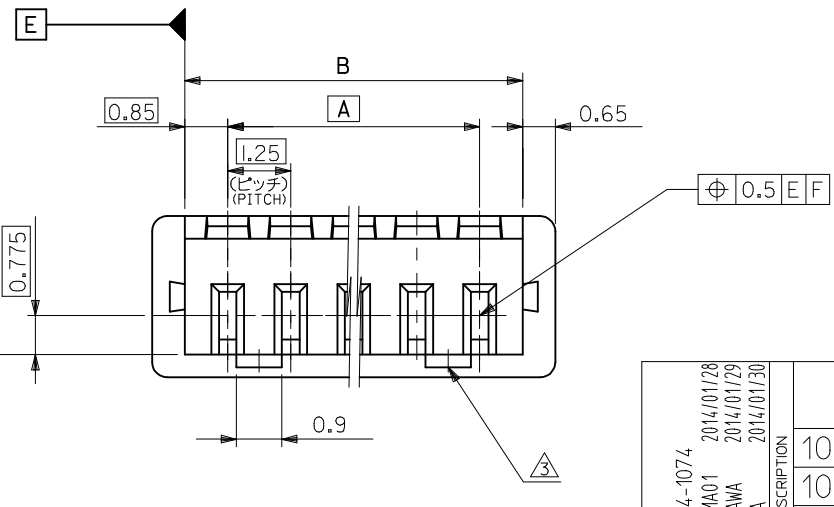
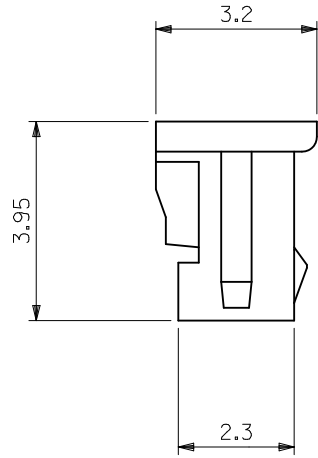
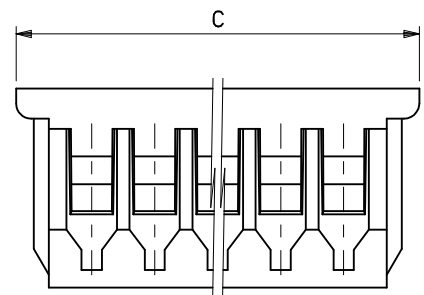
トレードマーク
TRADE MARK



SECT. G-G

注記 NOTES

- △ 適合ターミナル : 50058, 50079 シリーズ
APPLICABLE TERMINAL : 50058, 50079 SERIES
- 2 嵌合相手 : 53047, 53048, 53261, 53398 シリーズ
MATE WITH : 53047, 53048, 53261, 53398 SERIES
- △ ロックは、2, 3極は1ヶ, 4極以上は2ヶとする。
LOCKING WINDOW : ONE PLACE FOR 2 & 3 CKT.
AND TWO PLACES FOR MORE THAN 3 CKT.



MATERIAL
PBTP UL94V-0

20.5	19.2	17.5	51021-1500	15
19.25	17.95	16.25	-1400	14
18	16.7	15	-1300	13
16.75	15.45	13.75	-1200	12
15.5	14.2	12.5	-1100	11
14.25	12.95	11.25	-1000	10
13	11.7	10	-0900	9
11.75	10.45	8.75	-0800	8
10.5	9.2	7.5	-0700	7
9.25	7.95	6.25	-0600	6
8	6.7	5	-0500	5
6.75	5.45	3.75	-0400	4
5.5	4.2	2.5	-0300	3
4.25	2.95	1.25	51021-0200	2
C	B	A	ENG.NO.	極数 CKTS.

REVISED EC NO: J2014-1074 DRWN: TYAJIMA01 2014/01/28 CHKD: KASAKAWA 2014/01/29 APPR: NUKITA 2014/01/30	GENERAL TOLERANCES (UNLESS SPECIFIED)		DIMENSION STYLE MM ONLY		SCALE 10:1	DESIGN UNITS METRIC	THIRD ANGLE PROJECTION
	10 UNDER	±0.20	DRAWN BY TYAJIMA01	DATE 2014/01/28	TITLE 1.25 W/B CONN. REC. HOUSING		
	10 OVER 30 UNDER	±0.25	CHECKED BY KASAKAWA	DATE 2014/01/29			
	30 OVER	±0.30	APPROVED BY NUKITA	DATE 2014/01/30			
ANGULAR ±3 °	DRAFT WHERE APPLICABLE MUST REMAIN WITHIN DIMENSIONS	MATERIAL NO. SEE TABLE	DOCUMENT NO. SD-51021-005	SHEET NO. 1 OF 1			
		SIZE A3	THIS DRAWING CONTAINS INFORMATION THAT IS PROPRIETARY TO MOLEX INCORPORATED AND SHOULD NOT BE USED WITHOUT WRITTEN PERMISSION				