

Actuator

51-
435.036



<https://eao.com/p/51-435.036>

Your product:



51-435.036 Actuator

FRONT

Front dimension:	Ø 18 mm
Front bezel colour:	Black
Front bezel material:	Plastic

MOUNTING

Design:	raised
----------------	--------

OPERATING-/INDICATION PART

Lens illumination:	illuminative
---------------------------	--------------

ELECTRICAL CHARACTERISTICS

Electric strength:	2500 VAC, 50 Hz, 1 min. between all terminals and earth, according to IEC 61058-1, part 15
Contacts:	1 NO
Switching voltage and switching current:	100 mA at 42 VAC/VDC

MECHANICAL CHARACTERISTIC

Tightening torque:	Fixing nut max. 0.5 Nm
Mechanical lifetime:	5 Mio. cycles of operation
Switching action:	Momentary
Operating Travel:	3 mm
Terminal:	Universal terminal, 2 x 0.5 mm
Contact material:	

Gold

Switching system: Low-level element

Weight: 0.007 kg

Operating force: 1,8 ... 3,5 N

Switching system: This low-level switching element was designed for switching low powers in electronic circuits. The mechanism assures reliable switching of loads ranging from a few $\mu\text{A}/\mu\text{V}$ up to 100 mA/ 42 VAC/DC.
Single-break momentary contact, as normally open or normally closed with 4 independent points of contact. 2 momentary contacts per switching element; combination of normally open and normally closed is possible.
Special features are the long life, extremely short rebound time and stable contact resistance.

AMBIENT CONDITION

Shock resistance: 15 g for 11 ms, as per DIN / EN 60512-4-3, DIN / EN 60068-2-27 (Single impacts, semi-sinusoidal)

IP front protection: IP65, according to DIN EN 60529

Operating temperature: - 25 °C ... + 55 °C, mounted as a block, make sure the heat can escape freely

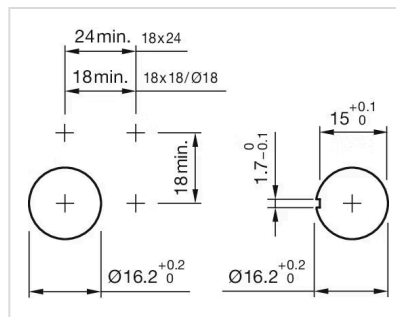
OTHER

Housing colour: Black

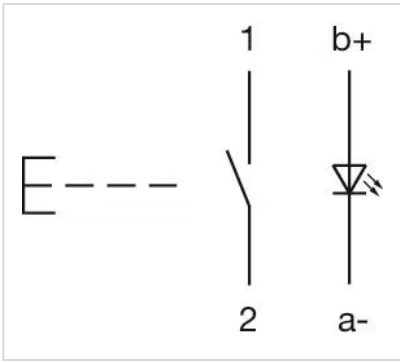
Short Description: Actuator, \varnothing 18 mm, illuminative, Black, Plastic, 1 NO, Momentary, Universal terminal, 2 x 0.5 mm, IP65, according to DIN EN 60529

Internal size: \varnothing 15,8 mm

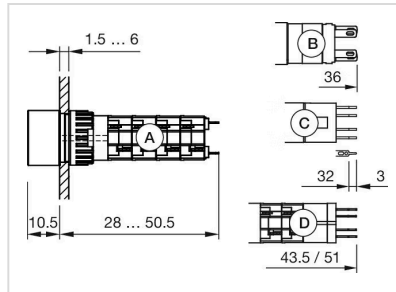
Mounting cut-outs:



Wiring diagrams:



Dimension drawings:



Component layouts:

