

Actuator

51-
421.036



<https://eao.com/p/51-421.036>

Your product:



51-421.036 Actuator

FRONT

Front bezel colour:	Black
Front bezel material:	Plastic
Front dimension:	24 mm x 18 mm

MOUNTING

Design:	raised
----------------	--------

OPERATING-/INDICATION PART

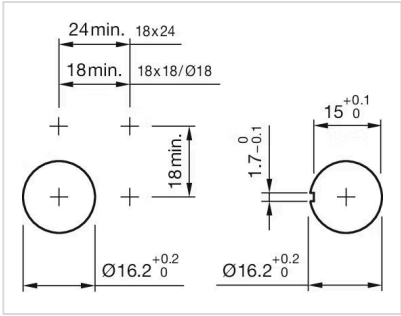
Lens illumination:	illuminative
---------------------------	--------------

ELECTRICAL CHARACTERISTICS

Electric strength:	2500 VAC, 50 Hz, 1 min. between all terminals and earth, according to IEC 61058-1, part 15
Contacts:	2 NO
Switching voltage and switching current:	100 mA at 42 VAC/VDC

MECHANICAL CHARACTERISTIC

Tightening torque:	Fixing nut max. 0.5 Nm
Weight:	0.007 kg
Contact material:	Gold
Switching system:	Low-level element
Switching action:	Momentary
Mechanical lifetime:	



Wiring diagrams:

