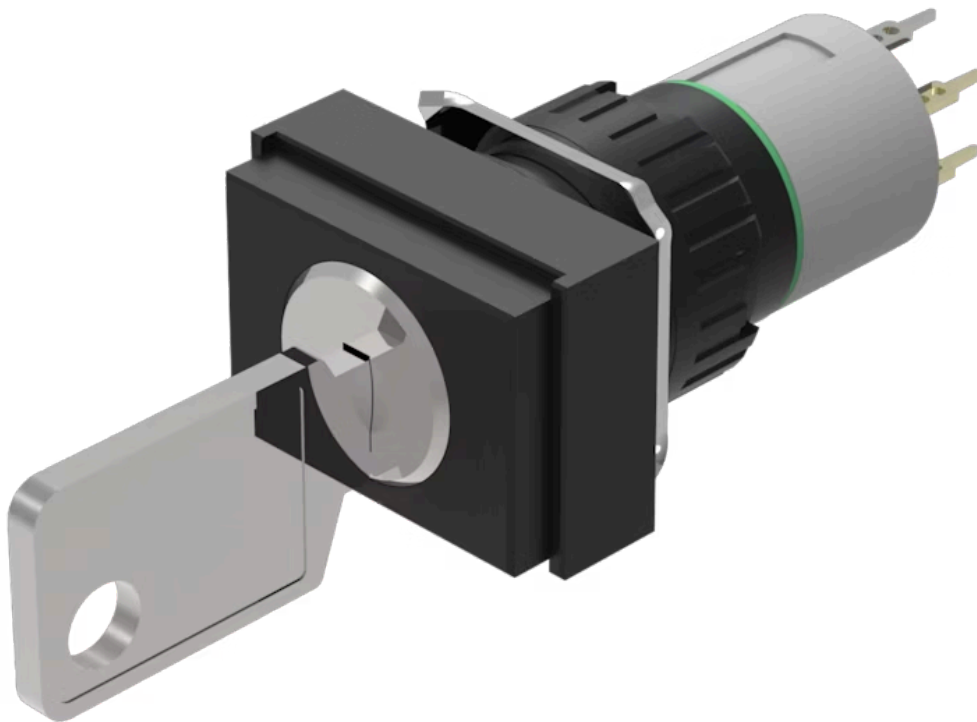


# Actuator

51-  
408.036D



<https://eao.com/p/51-408.036D>

Your product:

---



## 51-408.036D Actuator

### FRONT

**Front dimension:** 24 mm x 18 mm

### MOUNTING

**Design:** raised

### ELECTRICAL CHARACTERISTICS

**Switching voltage and switching current:** 100 mA at 42 VAC/VDC

**Contacts:** 1 NC / 1 NO

**Electric strength:** 2500 VAC, 50 Hz, 1 min. between all terminals and earth, according to IEC 61058-1, part 15

**Electrostatic discharge (ESD):**  $\leq 15$  KV

### MECHANICAL CHARACTERISTIC

**Terminal:** Universal terminal, 2 x 0.5 mm

**Switching system:** This low-level switching element was designed for switching low powers in electronic circuits. The mechanism assures reliable switching of loads ranging from a few  $\mu$ A/ $\mu$ V up to 100 mA/ 42 VAC/DC. Single-break momentary contact, as normally open or normally closed with 4 independent points of contact. 2 momentary contacts per switching element; combination of normally open and normally closed is possible. Special features are the long life, extremely short rebound time and stable contact resistance.

**Weight:** 0.016 kg

**Switching positions:** 2 positions

**Tightening torque:** Fixing nut max. 0.5 Nm

**Switching angle:** 90° right

**Switching system:**

Low-level element

**Switching action:** Rest - Maintained (a)

**Mechanical lifetime:** 50 000 cycles of operation

**Contact material:** Gold

### AMBIENT CONDITION

**Shock resistance:** 15 g for 11 ms, as per DIN / EN 60512-4-3, DIN / EN 60068-2-27 (Single impacts, semi-sinusoidal)

**IP front protection:** IP65, according to DIN EN 60529

**Operating temperature:** - 25 °C ... + 55 °C

**Storage temperature:** - 40 °C ... + 85 °C

### CERTIFICATE

**Approbations:** CB (IEC 61058-1), CQC, CSA, DNV, ENEC (EN 61058-1), UL

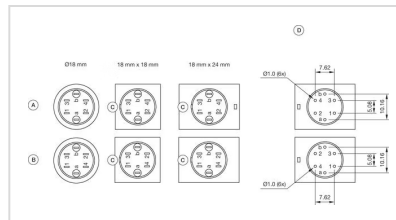
### OTHER

**Hints:** Standard lock: DOM 311

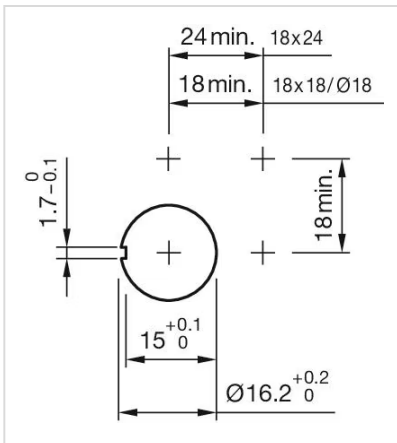
**Housing colour:** Black

**Short Description:** Actuator, 24 mm x 18 mm, 1 NC / 1 NO, Rest - Maintained (a), Universal terminal, 2 x 0.5 mm, IP65, according to DIN EN 60529

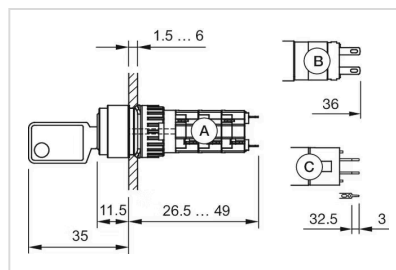
**Component layouts:**



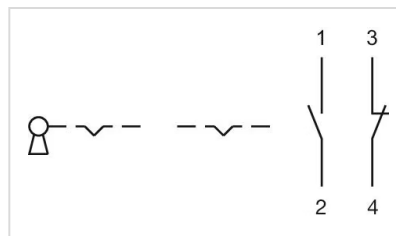
**Mounting cut-outs:**



**Dimension drawings:**



**Wiring diagrams:**



**Switching positions:**

