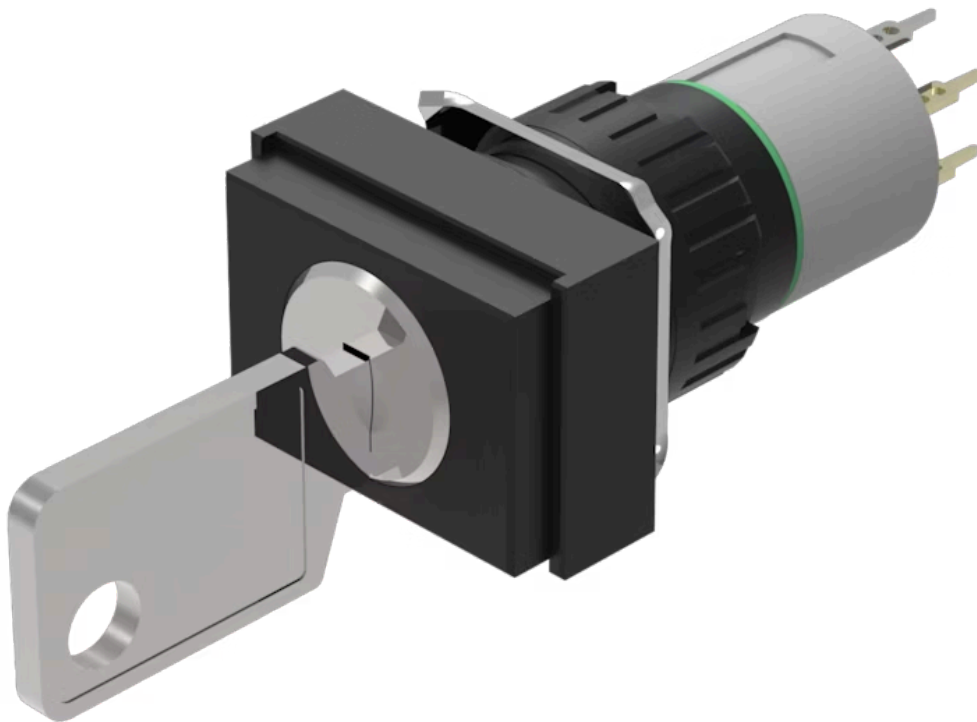


Actuator

51-
404.036D



<https://eao.com/p/51-404.036D>

Your product:



51-404.036D Actuator

FRONT

Front dimension: 24 mm x 18 mm

MOUNTING

Design: raised

ELECTRICAL CHARACTERISTICS

Switching voltage and switching current: 100 mA at 42 VAC/VDC

Contacts: 2 NO

Electric strength: 2500 VAC, 50 Hz, 1 min. between all terminals and earth, according to IEC 61058-1, part 15

Electrostatic discharge (ESD): ≤ 15 KV

MECHANICAL CHARACTERISTIC

Switching angle: 90° right

Switching positions: 2 positions

Switching system: Low-level element

Terminal: Universal terminal, 2 x 0.5 mm

Switching system: This low-level switching element was designed for switching low powers in electronic circuits. The mechanism assures reliable switching of loads ranging from a few $\mu\text{A}/\mu\text{V}$ up to 100 mA/ 42 VAC/DC. Single-break momentary contact, as normally open or normally closed with 4 independent points of contact. 2 momentary contacts per switching element; combination of normally open and normally closed is possible. Special features are the long life, extremely short rebound time and stable contact resistance.

Switching action: Rest (a) - Maintained

Contact material:

Gold

Weight: 0.016 kg
Tightening torque: Fixing nut max. 0.5 Nm
Mechanical lifetime: 50 000 cycles of operation

AMBIENT CONDITION

Shock resistance: 15 g for 11 ms, as per DIN / EN 60512-4-3, DIN / EN 60068-2-27 (Single impacts, semi-sinusoidal)
Operating temperature: - 25 °C ... + 55 °C
IP front protection: IP65, according to DIN EN 60529
Storage temperature: - 40 °C ... + 85 °C

CERTIFICATE

Approbations: CB (IEC 61058-1), CQC, CSA, DNV, ENEC (EN 61058-1), UL

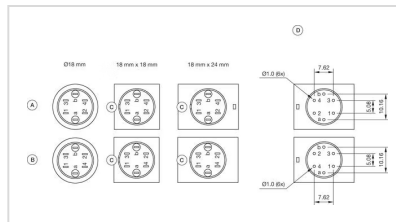
OTHER

Hints: Standard lock: DOM 311

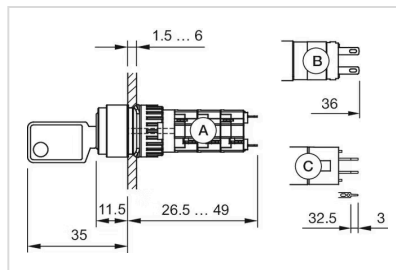
Short Description: Actuator, 24 mm x 18 mm, 2 NO, Rest (a) - Maintained, Universal terminal, 2 x 0.5 mm, IP65, according to DIN EN 60529

Housing colour: Black

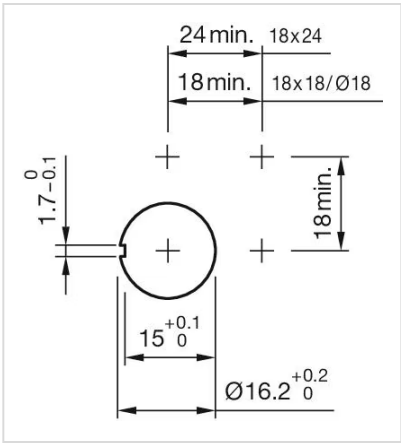
Component layouts:



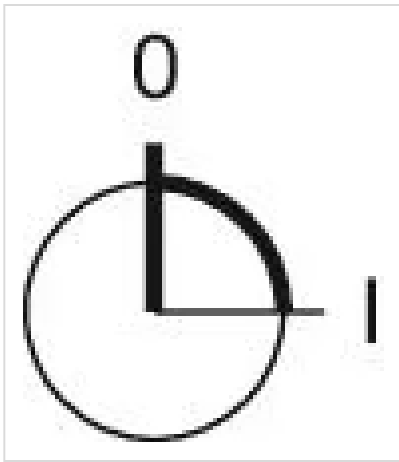
Dimension drawings:



Mounting cut-outs:



Switching positions:



Wiring diagrams:

