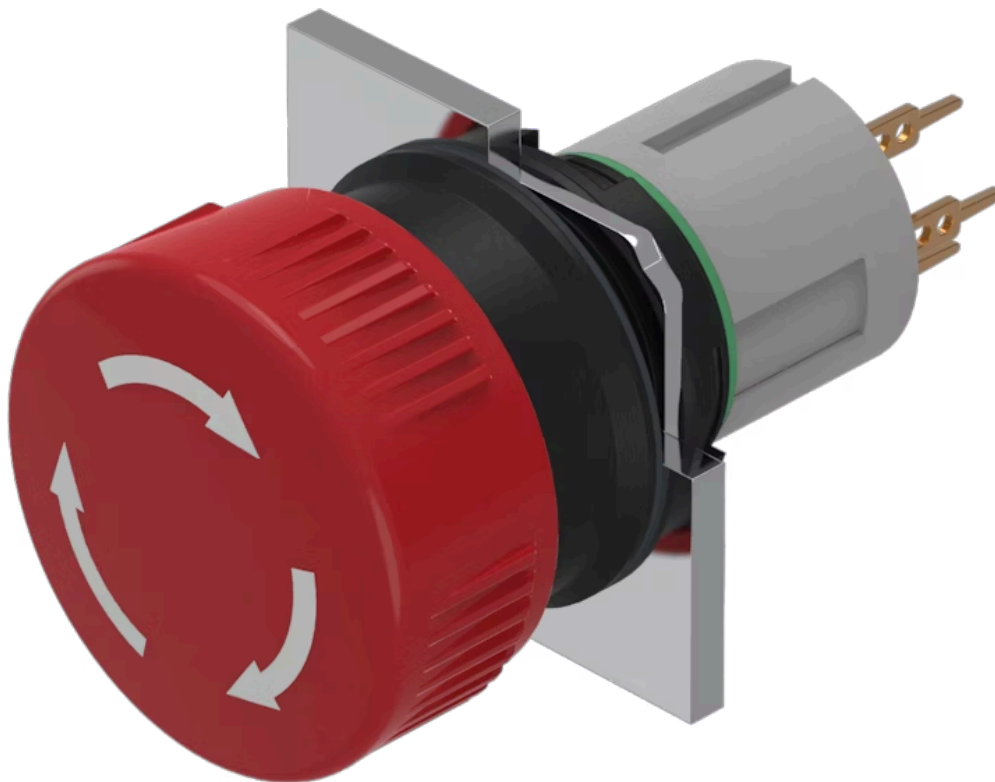


# Actuator

51-  
256.026



<https://eao.com/p/51-256.026>

Your product:

---



## 51-256.026 Actuator

### FRONT

**Front dimension:** Ø 24,5 mm

### MOUNTING

**Design:** raised

### OPERATING-/INDICATION PART

**Lens material:** Plastic

**Lens illumination:** non illuminative

**Lens shape:** mushroom-head

**Lens optics:** opaque

**Lens colour:** Red

### ELECTRICAL CHARACTERISTICS

**Contacts:** 1 NC

**Switching voltage and switching current:** 100 mA at 42 VAC/VDC

### MECHANICAL CHARATERISTIC

**Switching system:** This low-level switching element was designed for switching low powers in electronic circuits. The mechanism assures reliable switching of loads ranging from a few  $\mu\text{A}/\mu\text{V}$  up to 100 mA/ 42 VAC/DC. Single-break momentary contact, as normally open or normally closed with 4 independent points of contact. 2 momentary contacts per switching element; combination of normally open and normally closed is possible. Special features are the long life, extremely short rebound time and stable contact resistance.

**Operating Travel:** 3 mm

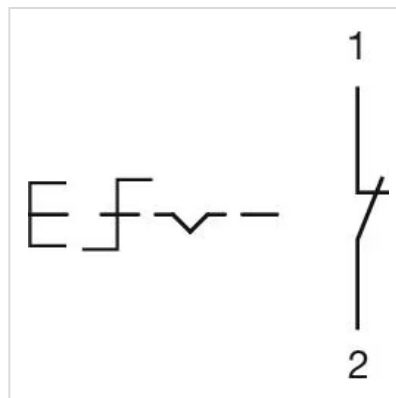
<b>Switching system:</b>	Low-level element
<b>Contact material:</b>	Gold
<b>Terminal:</b>	Universal terminal, 2 x 0.5 mm
<b>Switching action:</b>	Maintained
<b>Mechanical lifetime:</b>	1 Mio. cycles of operation
<b>Operating force:</b>	1,8 ... 3,5 N
<b>Weight:</b>	0.011 kg
<b>Tightening torque:</b>	Fixing nut max. 0.5 Nm

### AMBIENT CONDITION

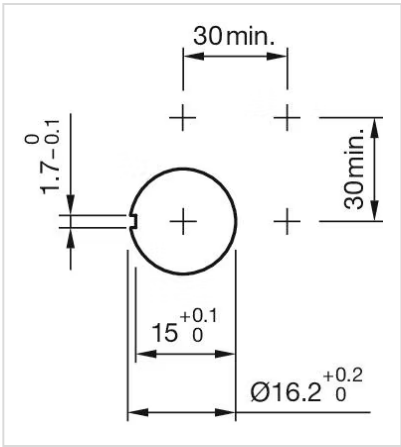
<b>IP front protection:</b>	IP65, according to DIN EN 60529
<b>Storage temperature:</b>	- 40 °C ... + 85 °C
<b>Operating temperature:</b>	- 25 °C ... + 55 °C

### OTHER

<b>Short Description:</b>	Actuator, Ø 24,5 mm, mushroom-head, non illuminative, Red, Plastic, opaque, 1 NC, Maintained, Universal terminal, 2 x 0.5 mm, IP65, according to DIN EN 60529
<b>Hints:</b>	Marking arrows
<b>Housing colour:</b>	Black
<b>Wiring diagrams:</b>	



**Mounting cut-outs:**



**Dimension drawings:**

