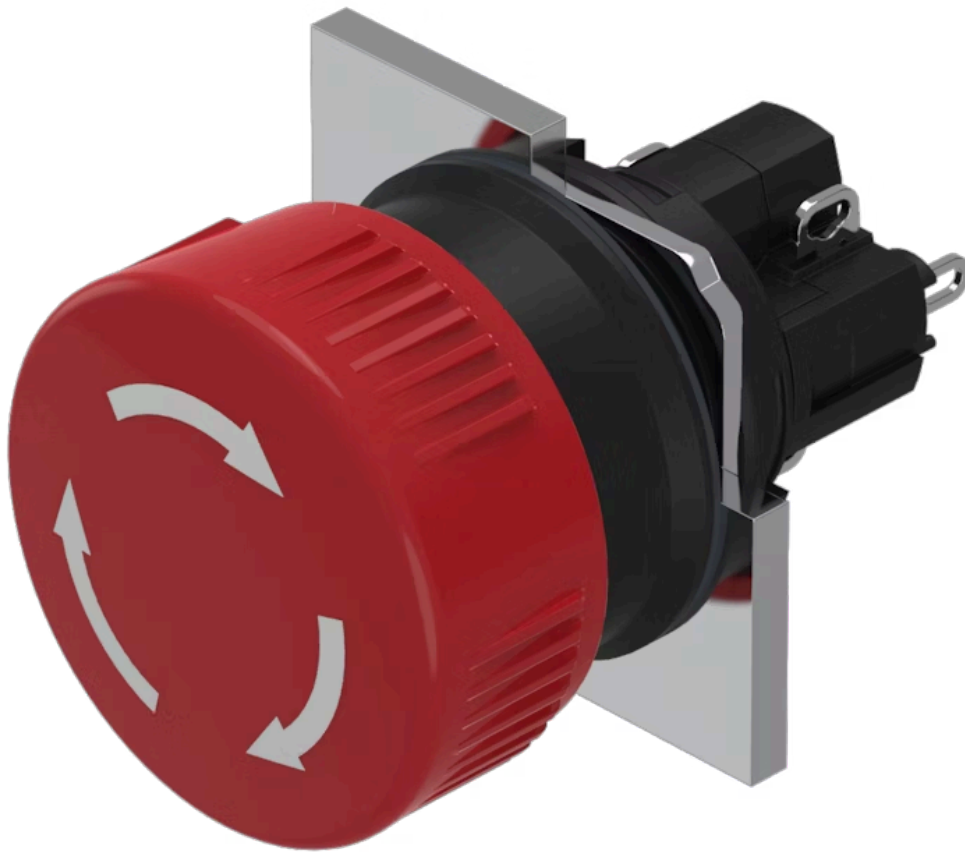


Actuator

51-
256.025



<https://eao.com/p/51-256.025>

Your product:



51-256.025 Actuator

FRONT

Front dimension: Ø 24,5 mm

MOUNTING

Design: raised

OPERATING-/INDICATION PART

Lens material: Plastic

Lens shape: mushroom-head

Lens illumination: non illuminative

Lens optics: opaque

Lens colour: Red

ELECTRICAL CHARACTERISTICS

Switching voltage and switching current: 250 VAC, 5 A (ohmic)
24 VDC, 2 A (inductive, L:R = 30 ms)

Contacts: 1 NC / 1 NO

MECHANICAL CHARACTERISTIC

Switching action: Maintained

Mechanical lifetime: 100 000 cycles of operation

Tightening torque: Fixing nut max. 0.5 Nm

Contact material: Gold

Weight: 0.011 kg

Switching system:	Self-cleaning, double-break snap action switching system, 1 normally closed and 1 normally open contact per element.
Switching system:	Snap-action switching element
Terminal:	Soldering terminal
Operating force:	18 ... 21 N (depending on the switching element)

AMBIENT CONDITION

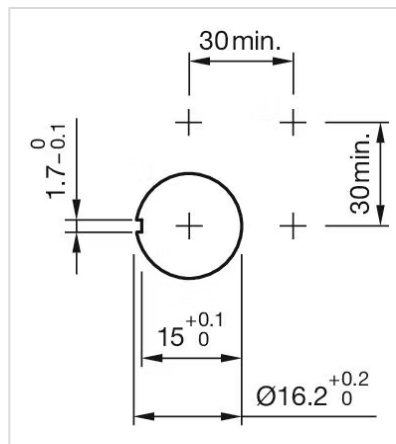
Storage temperature:	- 40 °C ... + 85 °C
Operating temperature:	- 25 °C ... + 55 °C
IP front protection:	IP65, according to DIN EN 60529

CERTIFICATE

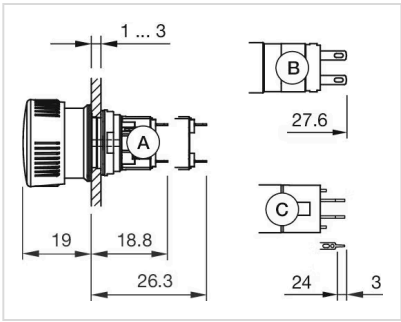
Conformities:	CE, UKCA, 2006 / 42 / EC (MD), 2011 / 65 / EC (RoHS)
Approbations:	CB (IEC 61058-1), CSA, ENEC (EN 61058-1), UL

OTHER

Hints:	Marking arrows
Housing colour:	Black
Short Description:	Actuator, Ø 24,5 mm, mushroom-head, non illuminative, Red, Plastic, opaque, 1 NC / 1 NO, Maintained, Soldering terminal, IP65, according to DIN EN 60529
Mounting cut-outs:	



Dimension drawings:



Wiring diagrams:

