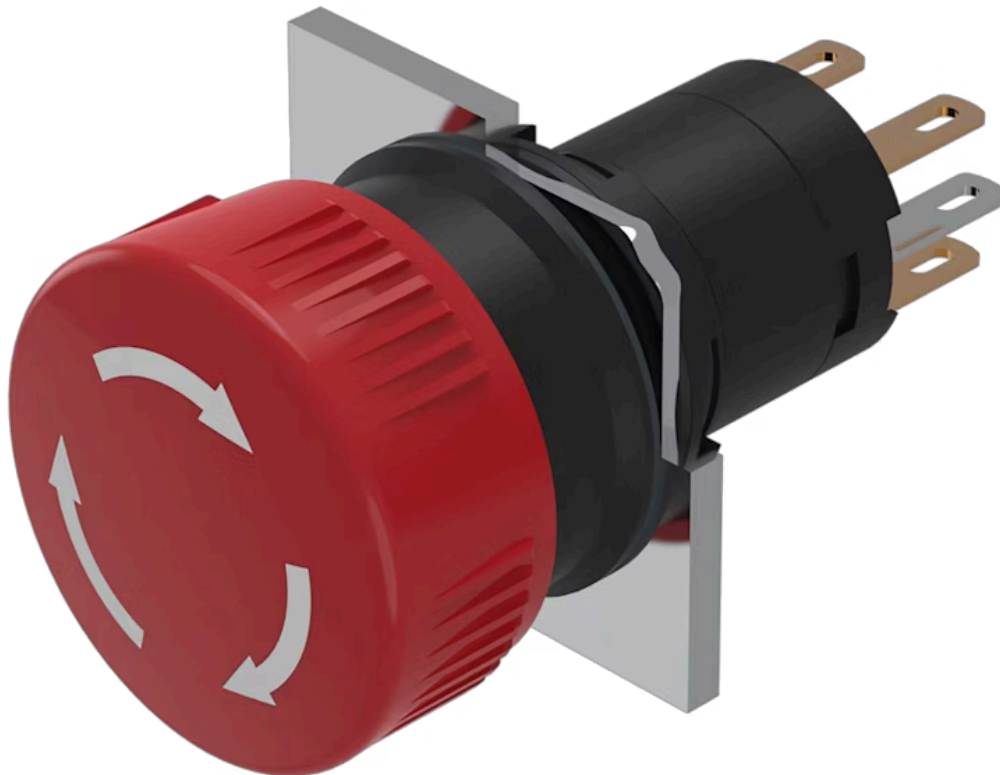


Actuator

51-
253.022



<https://eao.com/p/51-253.022>

Your product:



51-253.022 Actuator

FRONT

Front dimension: Ø 24,5 mm

MOUNTING

Design: raised

OPERATING-/INDICATION PART

Lens illumination: non illuminative

Lens optics: opaque

Lens colour: Red

Lens material: Plastic

Lens shape: mushroom-head

ELECTRICAL CHARACTERISTICS

Contacts: 1 NC / 1 NO

Switching voltage and switching current: 250 VAC, 5 A (ohmic)
24 VDC, 2 A (inductive, L:R = 30 ms)

MECHANICAL CHARACTERISTIC

Switching system: Self-cleaning, double-break snap action switching system, 1 normally closed and 1 normally open contact per element.

Tightening torque: Fixing nut max. 0.5 Nm

Terminal: Plug-in terminal, 2.8 x 0.5 mm

Weight: 0.011 kg

Switching action: Maintained
Mechanical lifetime: 100 000 cycles of operation
Contact material: Gold
Switching system: Snap-action switching element
Operating force: 18 ... 21 N (depending on the switching element)

AMBIENT CONDITION

IP front protection: IP65, according to DIN EN 60529
Storage temperature: - 40 °C ... + 85 °C
Operating temperature: - 25 °C ... + 55 °C

CERTIFICATE

Approbations: CB (IEC 61058-1), CSA, ENEC (EN 61058-1), UL
Conformities: CE, UKCA, 2006 / 42 / EC (MD), 2011 / 65 / EC (RoHS)

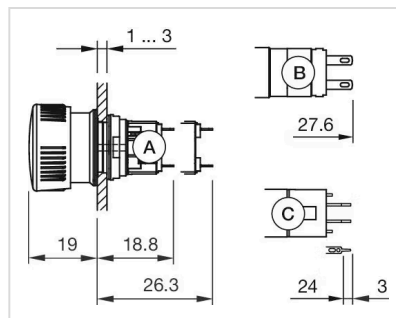
OTHER

Housing colour: Black

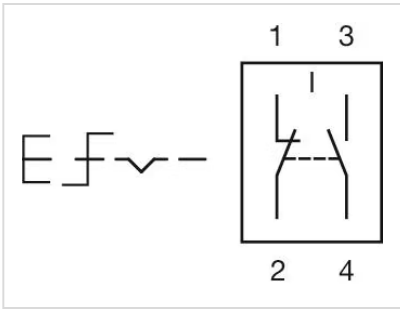
Short Description: Actuator, Ø 24,5 mm, mushroom-head, non illuminative, Red, Plastic, opaque, 1 NC / 1 NO, Maintained, Plug-in terminal, 2.8 x 0.5 mm, IP65, according to DIN EN 60529

Hints: Marking arrows

Dimension drawings:



Wiring diagrams:



Mounting cut-outs:

