

Actuator

51-
235.022D



<https://eao.com/p/51-235.022D>

Your product:



51-235.022D Actuator

FRONT

Front dimension: Ø 18 mm

MOUNTING

Design: raised

ELECTRICAL CHARACTERISTICS

Electrical lifetime: 50 000 cycles of operation

Protection class: II

Switching voltage and switching current:
250 VAC, 5 A (ohmic)
250 VAC, 3 A (Soldering terminal)
250 VAC, 2 A (inductive, $\cos(\phi) = 0.7$)
125 VAC, 3 A (inductive, $\cos(\phi) = 0.7$)
220 VDC, 0.1 A (inductive, L:R = 30 ms)
110 VDC, 0.2 A (inductive, L:R = 30 ms)
60 VDC, 0.7 A (inductive, L:R = 30 ms)
24 VDC, 2 A (inductive, L:R = 30 ms)

Thermal current Ith: 5 A, according to EN / IEC 60947-5-1
The maximum current in continuous operation and at ambient temperature not exceeding the quoted maximum values.

Rated Operational Voltage Ue: 250 VAC/DC according to EN IEC 60947-1

Electric strength: 2500 VAC, 50 Hz, 1 min. between all terminals and earth, according to IEC 61058-1, part 15

Standards: According to EN/IEC 61058-1

Contacts: 1 NC / 1 NO

MECHANICAL CHARACTERISTIC

Contact material: Gold

Switching positions: 2 positions

Terminal:	Plug-in terminal, 2.8 x 0.5 mm
Switching system:	Self-cleaning, double-break snap action switching system, 1 normally closed and 1 normally open contact per element.
Switching system:	Snap-action switching element
Tightening torque:	Fixing nut max. 0.5 Nm
Mechanical lifetime:	50 000 cycles of operation
Weight:	0.026 kg
Switching action:	Rest (a) - Maintained
Switching angle:	90° right

AMBIENT CONDITION

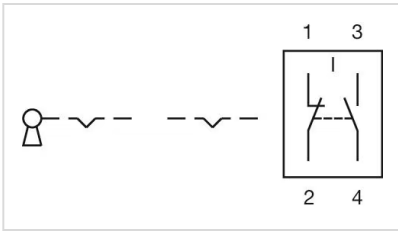
IP front protection:	IP65, according to DIN EN 60529
Storage temperature:	- 40 °C ... + 85 °C
Operating temperature:	- 25 °C ... + 55 °C
Climate resistance:	Standard condition, as per DIN EN 60068-2-30 Changing condition, as per DIN EN 60068-2-14
Shock resistance:	15 g for 11 ms, as per DIN / EN 60512-4-3, DIN / EN 60068-2-27 (Single impacts, semi-sinusoidal)
Vibration resistance:	10 g at 10 Hz...1500 Hz, amplitude 0.75 mm (Sinusoidal), according to DIN EN 60512-4-4, DIN EN 60068-2-6

CERTIFICATE

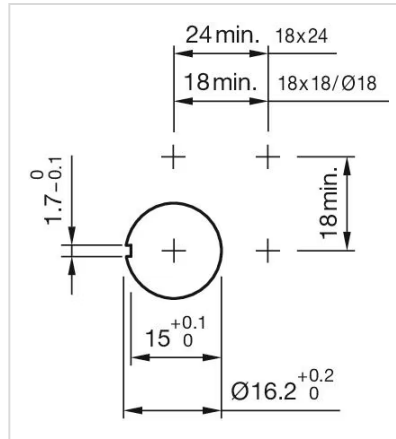
Conformities:	CE, UKCA, 2011 / 65 / EC (RoHS), 2014 / 30 / EU (EMC), 2014 / 35 / EU (LVD)
Approbations:	CB (IEC 61058-1), CQC, CSA, DNV, ENEC (EN 61058-1), UL

OTHER

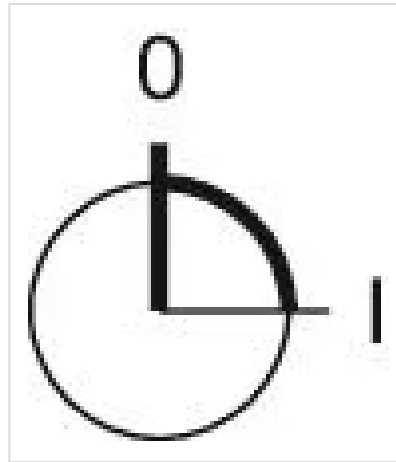
Hints:	Standard lock: DOM 311
Short Description:	Actuator, Ø 18 mm, 1 NC / 1 NO, Rest (a) - Maintained, Plug-in terminal, 2.8 x 0.5 mm, IP65, according to DIN EN 60529
Housing colour:	Black
Wiring diagrams:	



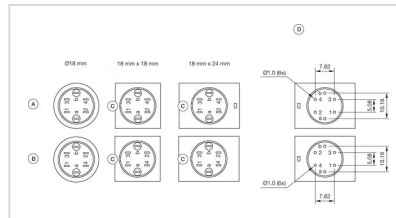
Mounting cut-outs:



Switching positions:



Component layouts:



Dimension drawings:

