

Actuator

51-
050.005



<https://eao.com/p/51-050.005>

Your product:



51-050.005 Actuator

FRONT

Front dimension: 18 mm x 18 mm

MOUNTING

Design: raised

ELECTRICAL CHARACTERISTICS

Switching voltage and switching current: 100 mA at 42 VAC/VDC

Electric strength: 2500 VAC, 50 Hz, 1 min. between all terminals and earth, according to IEC 61058-1, part 15

MECHANICAL CHARACTERISTIC

Terminal: Soldering terminal, 2.8 x 0.5 mm

Weight: 0.004 kg

Tightening torque: Fixing nut max. 0.5 Nm

AMBIENT CONDITION

IP front protection: IP65, according to DIN EN 60529

Operating temperature: - 25 °C ... + 55 °C, mounted as a block, make sure the heat can escape freely

Shock resistance: 15 g for 11 ms, as per DIN / EN 60512-4-3, DIN / EN 60068-2-27 (Single impacts, semi-sinusoidal)

Storage temperature: - 40 °C ... + 85 °C

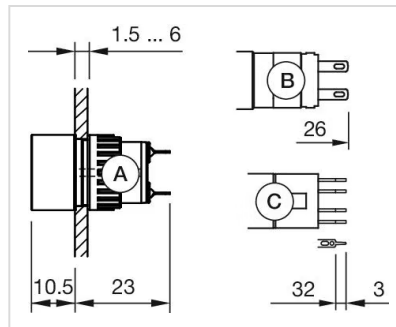
OTHER

Internal size: 15,3 mm x 15,3 mm

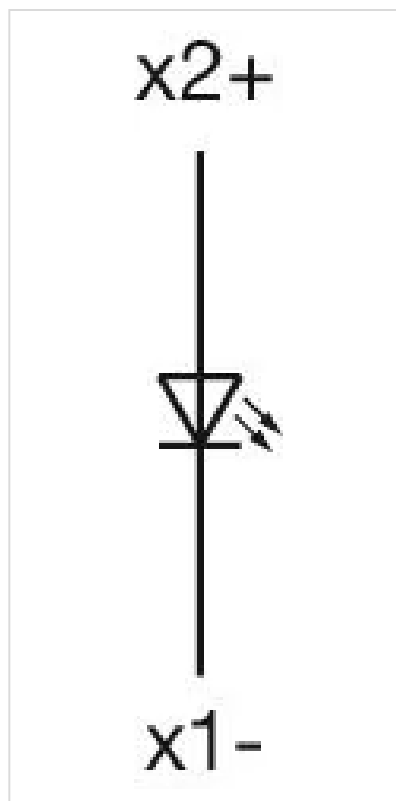
Short Description: Actuator, 18 mm x 18 mm, Soldering terminal, 2.8 x 0.5 mm, IP65, according to DIN EN 60529

Housing colour: Black

Dimension drawings:



Wiring diagrams:



Mounting cut-outs:

