



Connectors > Connector Accessories > Connector Strain Relief > Ribbon Cable Connector: Pull Loop



Strain Relief Accessory Type: **Pull Loop**

Primary Product Material: **PVC**

Primary Product Color: **Natural**

Packaging Method: **Box & Carton**

Packaging Quantity: **250**

[All Ribbon Cable Connector: Pull Loop \(10\)](#)

Features

Product Type Features

Strain Relief Accessory Type	Pull Loop
------------------------------	-----------

Body Features

Primary Product Material	PVC
Primary Product Color	Natural

Dimensions

	.44 in
--	--------

Industry Standards

Compatible With Agency/Standards Products	CSA, UL
Compatible With Approved Standards Products	CSA LR7189, UL E28476

Packaging Features

Packaging Method	Box & Carton
Packaging Quantity	250



Product Compliance

[For compliance documentation, visit the product page on TE.com>](#)

EU RoHS Directive 2011/65/EU	Compliant
EU ELV Directive 2000/53/EC	Compliant
China RoHS 2 Directive MIIT Order No 32, 2016	No Restricted Materials Above Threshold
EU REACH Regulation (EC) No. 1907/2006	Current ECHA Candidate List: JUNE 2024 (241) Candidate List Declared Against: JAN 2022 (223) Does not contain REACH SVHC
Halogen Content	Not Low Halogen - contains Br or Cl > 900 ppm.
Solder Process Capability	Not applicable for solder process capability

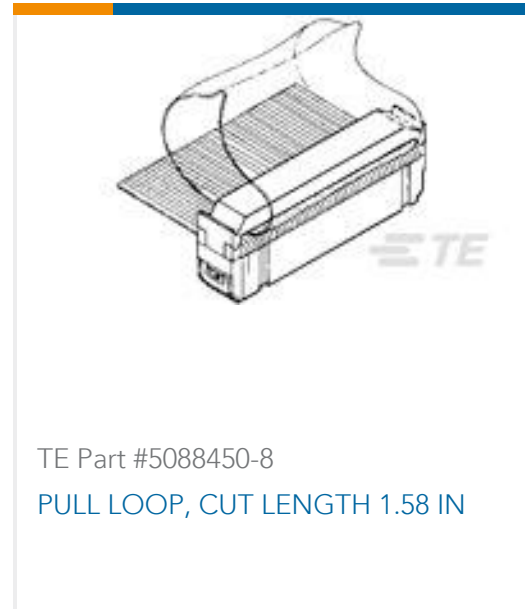
Product Compliance Disclaimer

This information is provided based on reasonable inquiry of our suppliers and represents our current actual knowledge based on the information they provided. This information is subject to change. The part numbers that TE has identified as EU RoHS compliant have a maximum concentration of 0.1% by weight in homogenous materials for lead, hexavalent chromium, mercury, PBB, PBDE, DBP, BBP, DEHP, DIBP, and 0.01% for cadmium, or qualify for an exemption to these limits as defined in the Annexes of Directive 2011/65/EU (RoHS2). Finished electrical and electronic equipment products will be CE marked as required by Directive 2011/65/EU. Components may not be CE marked. Additionally, the part numbers that TE has identified as EU ELV compliant have a maximum concentration of 0.1% by weight in homogenous materials for lead, hexavalent chromium, and mercury, and 0.01% for cadmium, or qualify for an exemption to these limits as defined in the Annexes of Directive 2000/53/EC (ELV). Regarding the REACH Regulation, the information TE provides on SVHC in articles for this part number is based on the latest European Chemicals Agency (ECHA) 'Guidance on requirements for substances in articles' posted at this URL: <https://echa.europa.eu/guidance-documents/guidance-on-reach>

Compatible Parts

 <p>TE Part # 6364106-4 A/L UNIV HDR 20P VERT LG LAT</p>	 <p>TE Part # 2-111623-1 20, 2MM, POL,30 DP, LEAD FREE</p>	 <p>TE Part # 1-111623-9 14, 2MM, POL,30 DP, LEAD FREE</p>	 <p>TE Part # 1658621-1 10 NOVO MIL/CTR 15DP, LEAD FREE</p>
 <p>TE Part # 1658527-3 622-1030LF FEM SOCKET, LEAD FREE</p>	 <p>TE Part # 1658620-1 10 NOVO MIL 15DP, LEAD FREE</p>	 <p>TE Part # 3-111623-1 012 2MM CTR 30DP FT</p>	

Customers Also Bought



Documents

Product Drawings

PULL LOOP, CUT LENGTH .44 IN

English

CAD Files

3D PDF

3D

Customer View Model

[ENG_CVM_CVM_5088450-2_O.2d_dxf.zip](#)

English

Customer View Model

[ENG_CVM_CVM_5088450-2_O.3d_igs.zip](#)

English

Customer View Model

[ENG_CVM_CVM_5088450-2_O.3d_stp.zip](#)

English

By downloading the CAD file I accept and agree to the [Terms and Conditions](#) of use.

Product Specifications

Application Specification

English