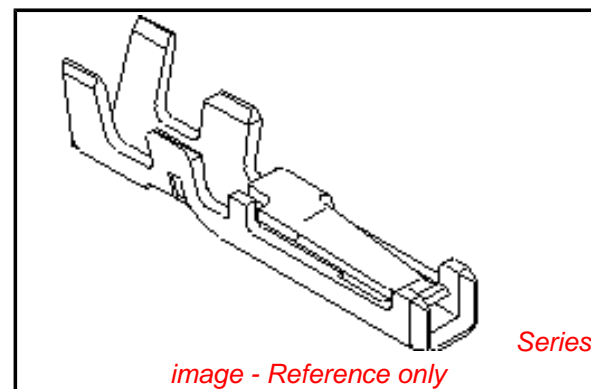


PLEASE CHECK WWW.MOLEX.COM FOR LATEST PART INFORMATION

Part Number: [50753-8141](#)
Status: **Active**
Description: PanelMate™ Crimp Terminal 50753, 30-32 AWG, Bag

Documents:

| | |
|--|--|
| Drawing (PDF) | Product Specification PS-51146-009 (PDF) |
| Product Specification PS-51146-001 (PDF) | Product Specification PS-51146-010 (PDF) |
| Product Specification PS-51146-006 (PDF) | Product Specification PS-51146-011 (PDF) |
| Product Specification PS-51146-007 (PDF) | Product Specification PS-51146-012 (PDF) |
| Product Specification PS-51146-008 (PDF) | RoHS Certificate of Compliance (PDF) |



General

| | |
|-------------------------|-----------------------|
| Product Family | Crimp Terminals |
| Series | 50753 |
| Application | Signal |
| Crimp Quality Equipment | Yes |
| MolexKits | Yes |
| Product Name | PanelMate™ |
| UPC | 800753369900 |

Physical

| | |
|--------------------------------|----------------------|
| Gender | Female |
| Material - Metal | Phosphor Bronze |
| Material - Plating Mating | Gold |
| Material - Plating Termination | Gold |
| Net Weight | 14.300/mg |
| Packaging Type | Bag |
| Plating min - Mating | 0.203µm |
| Plating min - Termination | 0.203µm |
| Termination Interface: Style | Crimp or Compression |
| Wire Insulation Diameter | 0.40-0.55mm |
| Wire Size AWG | 30, 32 |
| Wire Size mm² | N/A |

Material Info

Reference - Drawing Numbers

| | |
|-----------------------|--|
| Product Specification | PS-51146-001, PS-51146-006, PS-51146-007, PS-51146-008, PS-51146-009, PS-51146-010, PS-51146-011, PS-51146-012, RPS-51146-004, RPS-51146-007, RPS-51146-008, RPS-51146-013, RPS-51146-015, RPS-51146-017, RPS-51146-018, RPS-51146-019, RPS-51146-020, RPS-51146-021, RPS-51146-022, RPS-51146-023, RPS-51146-024, RPS-51146-025, RPS-51146-026, RPS-51146-027, RPS-51146-029, RPS-51146-031, RPS-51146-035 SD-50753-8**** |
| Sales Drawing | |

EU RoHS

ELV and RoHS Compliant
REACH SVHC Contains SVHC: No
Low-Halogen Status Low-Halogen

China RoHS



Need more information on product environmental compliance?

Email productcompliance@molex.com
 For a multiple part number RoHS Certificate of Compliance, [click here](#)

Please visit the [Contact Us](#) section for any non-product compliance questions.

Search Parts in this Series

[50753Series](#)

Application Tooling | FAQ

Tooling specifications and manuals are found by selecting the products below. Crimp Height Specifications are then contained in the Application Tooling Specification document.

Global

| Description | Product # |
|--|----------------------------|
| Hand Crimp Tool, UL | 0638117900 |
| Approved | |
| Extractor Tool for 1.25mm Pitch Wire-to-Board Crimp Terminal | 0638133400 |

Japan

| Description | Product # |
|--------------|----------------------------|
| Hand Crimper | 0573525000 |
| Hand Crimper | 0573525100 |

PLEASE CHECK WWW.MOLEX.COM FOR LATEST PART INFORMATION